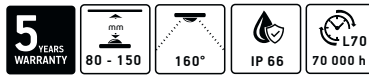


BASE-3



ITEM DESCRIPTION

BASE series modules are designed to illuminate middle-depth letters and single-sided lightboxes. Because of their compact design, these modules can easily illuminate smaller letters ranging in depth from 80 to 150 mm. BASE modules have a lifetime of L70 70 000 h and a 5-year warranty. BASE - an excellent choice for projects requiring a cost-effective but high-quality solution.

APPLICATION

- Channel letters signs and light boxes
- Recommended depth 80 – 150 mm

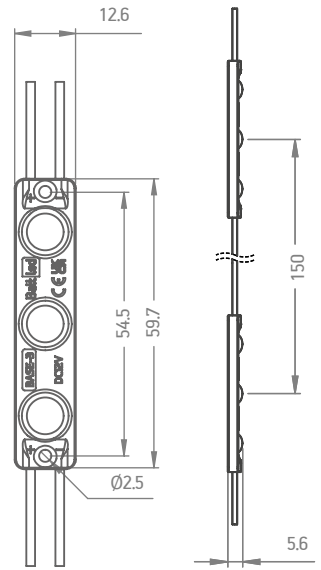
FEATURES & BENEFITS

- Compact design
- Standard and high-efficacy versions
- Efficacy up to 156 lm/W
- IP66 protection class
- 5-year warranty

GENERAL SPECIFICATIONS

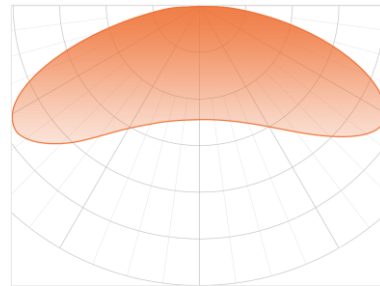
SUPPLY VOLTAGE	12 VDC
POWER	0.72 W 0.96 W 1.2 W
RECOMMENDED DEPTH	From 80 to 150 mm
CC DISTANCE	150 mm
BINNING	3 SDCM
OPERATING TEMPERATURE	-20 °C ~ +50 °C
STORAGE TEMPERATURE	-30°C ~ +60 °C
STORAGE CONDITIONS	Relative humidity <60%
CERTIFICATION	CE, UKCA, RoHS and UL compliant
LIFETIME	L70 70,000 h
IP CLASS	IP 66
WARRANTY	5 years (24/7)*

*Warranty is applied only and if storage, mounting and maintenance conditions, stated in the installation guide, are followed.



* Dimensions in millimeters

LIGHT DISTRIBUTION GRAPH



Beam angle: 160°

ORDERING INFORMATION

VERSION	SKU	SUPPLY VOLTAGE	POWER	CC DISTANCE	LUMEN OUTPUT, LM	COLOUR TEMP.
<i>Standard</i>	BMP-S3-03UH160CW072-B3	12 VDC	0.72 W	150 mm	72	7000K -7500K
	BMP-S3-03UH160CW120-B3	12 VDC	1.2 W	150 mm	138	7000K -7500K
<i>High-efficacy</i>	BMP-S3-03UH160CW096-B3	12 VDC	0.96 W	150 mm	150	6500K-7000K

PACKAGING INFORMATION

CHAIN	BAG	BOX
20 pcs (net weight: 0.132 kg)	100 pcs (net weight: 0.70 kg)	1400 pcs (net weight 9.50 kg)

© 2024, All rights reserved BaltLED, UAB. Specifications are subject to change without notice.