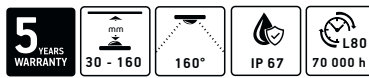


# CHALLENGER-0



## ITEM DESCRIPTION

Combining our best know-how and top-of-the-line LEDs, the new, extremely competitive Challenger series is here to challenge the market with unmatched quality at an unbeatable price. It is perfect solution to illuminate from shallow to middle-depth letters and single-sided lightboxes. Because of their sleek design, these modules can easily illuminate smaller letters ranging in depth from 30 to 160 mm. Challenger modules have a lifetime of L80 70 000 h and a 5-year warranty.

Forge a new path for your signage needs with Challengers, where unparalleled quality meets affordability head-on.

## APPLICATION

- Channel letters signs and light boxes
- Recommended depth 30 – 160 mm

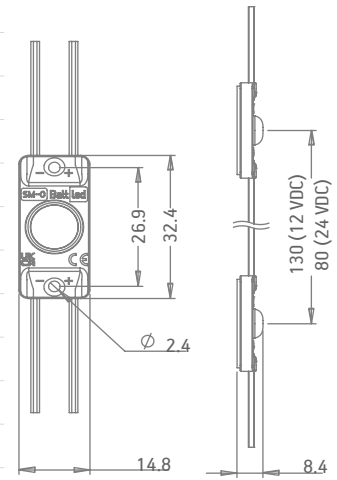
## FEATURES & BENEFITS

- Compact design
- Efficiency up to 140 lm/W
- IP67 protection class
- 5-year warranty

## GENERAL SPECIFICATIONS

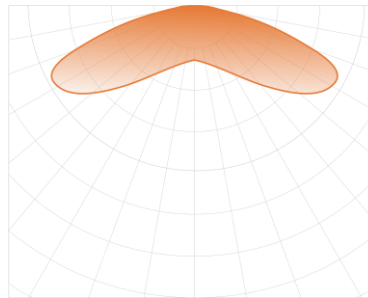
SUPPLY VOLTAGE	12 VDC   24 VDC
POWER	0.2 W   0.35 W   0.5W
RECOMMENDED DEPTH	From 30 to 160 mm
CC DISTANCE	80 mm   130 mm
BINNING	3 SDCM
OPERATING TEMPERATURE	-20°C ~ +50°C
STORAGE TEMPERATURE	-30°C ~ +60°C
STORAGE CONDITIONS	Relative humidity <60%
CERTIFICATION	CE, UKCA, RoHS compliant
LIFETIME	L80 70,000 h
IP CLASS	IP 67
WARRANTY	5 years (24/7)*

\*Warranty is applied only and if storage, mounting and maintenance conditions, stated in the installation guide, are followed.



\* Dimensions in millimeters

## LIGHT DISTRIBUTION GRAPH



Beam angle: 160°

## ORDERING INFORMATION

SKU	SUPPLY VOLTAGE	POWER	CC DISTANCE	LUMEN OUTPUT	COLOUR TEMP.
BMP-M0-01UH160CW050		0.50 W	130 mm	60 lm	6500 K
BMP-M0-01UH160CW035		0.35 W	130 mm	47 lm	6500 K
BMP-M0-01UH160NW035		0.35 W	130 mm	46 lm	4000 K
BMP-M0-01UH160WW035	12 VDC	0.35 W	130 mm	44 lm	3000 K
BMP-M0-01UH160R035		0.35 W	130 mm	15 lm	RED
BMP-M0-01UH160G035		0.35 W	130 mm	34 lm	GREEN
BMP-M0-01UH160B035		0.35 W	130 mm	8 lm	BLUE
BMP-M0-01UH160CW020-24V		0.20 W	80 mm	28 lm	6500 K
BMP-M0-01UH160NW020-24V	24 VDC	0.20 W	80 mm	27 lm	4000 K
BMP-M0-01UH160WW020-24V		0.20 W	80 mm	26 lm	3000 K

## PACKAGING INFORMATION

	CHAIN	BAG	BOX
12 VDC	30 pcs	210 pcs	1470 pcs
24 VDC	80 pcs	160 pcs	1120 pcs

© 2024, All rights reserved BaltLED, UAB. Specifications are subject to change without notice.