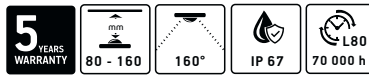


# CHALLENGER-2



## ITEM DESCRIPTION

Combining our best know-how and top-of-the-line LEDs, the new, extremely competitive Challenger series is here to challenge the market with unmatched quality at an unbeatable price. It is perfect solution to illuminate from shallow to middle-depth letters and single-sided lightboxes. Because of their sleek design, these modules can easily illuminate smaller letters ranging in depth from 80 to 160 mm. Challenger modules have a lifetime of L80 70 000 h and a 5-year warranty.

Forge a new path for your signage needs with Challengers, where unparalleled quality meets affordability head-on.

## APPLICATION

- Channel letters signs and light boxes
- Recommended depth 80 – 160 mm

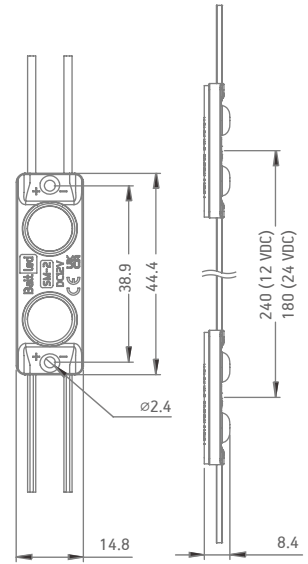
## FEATURES & BENEFITS

- Compact design
- Efficiency up to 121 lm/W
- IP67 protection class
- 5-year warranty

## GENERAL SPECIFICATIONS

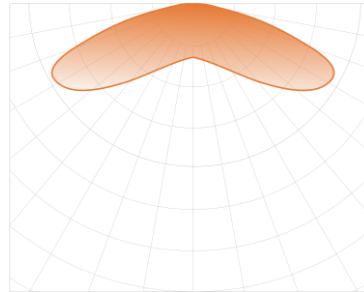
SUPPLY VOLTAGE	12 VDC   24 VDC
POWER	0.8 W   1.0 W
RECOMMENDED DEPTH	From 80 to 160 mm
CC DISTANCE	180 mm   240mm
BINNING	3 SDCM
OPERATING TEMPERATURE	-20°C ~ +50°C
STORAGE TEMPERATURE	-30°C ~ +60°C
STORAGE CONDITIONS	Relative humidity <60%
CERTIFICATION	CE, UKCA, RoHS compliant
LIFETIME	L80 70,000 h
IP CLASS	IP 67
WARRANTY	5 years (24/7)*

\*Warranty is applied only and if storage, mounting and maintenance conditions, stated in the installation guide, are followed.



\* Dimensions in millimeters

## LIGHT DISTRIBUTION GRAPH



Beam angle: 160°

## ORDERING INFORMATION

SKU	SUPPLY VOLTAGE	POWER	CC DISTANCE	LUMEN OUTPUT	COLOUR TEMP.
BMP-M2-02UH160CW100	12 VDC	1.0 W	240 mm	119 lm	6500 K
BMP-M2-02UH160NW100		1.0 W	240 mm	117 lm	4000 K
BMP-M2-02UH160WW100		1.0 W	240 mm	112 lm	3000 K
BMP-M2-02UH160CW080-24V	24 VDC	0.80 W	180 mm	97 lm	6500 K
BMP-M2-02UH160NW080-24V		0.80 W	180 mm	95 lm	4000 K
BMP-M2-02UH160WW080-24V		0.80 W	180 mm	91 lm	3000 K

## PACKAGING INFORMATION

	CHAIN	BAG	BOX
12 VDC	35 pcs	140 pcs	980 pcs
24 VDC	90 pcs	180 pcs	820 pcs

© 2024, All rights reserved BaltLED, UAB. Specifications are subject to change without notice.

www.baltled.com  
March 6, 2024

**baltled**  
signage illumination