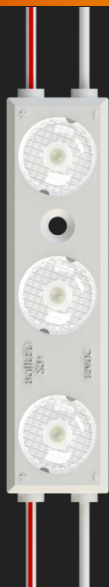


OPTO S3+



ITEM DESCRIPTION

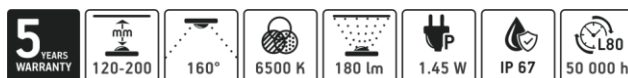
OPTO S3+ modules are designed for the illumination of single-sided lightboxes and bigger channel letters with a depth ranging from 120 to 200 mm. These modules can be installed with a 350 mm step. To make the installation work easy and fast, they come with the adhesive containing a finger lift edge liner for convenient removal of the protective layer. OPTO S3+ modules have 5 years (24/7) warranty with L80 for 50 000 hours.

APPLICATION

- Single-sided lightboxes and bigger channel letters
- Recommended depth 120 – 200 mm

FEATURES & BENEFITS

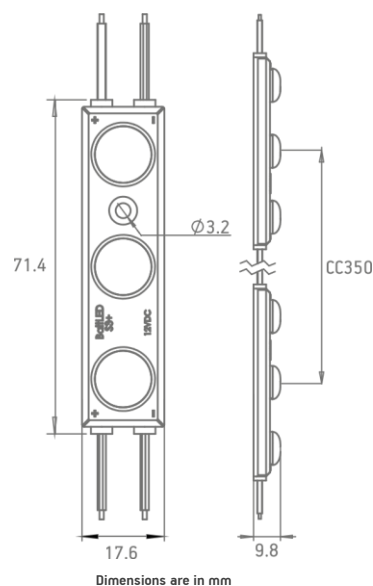
- Efficiency up to 124 lm/W
- 350 mm distance between centers of modules
- IP67 protection class
- L80 50, 000 h lifetime
- 5-year 24/7 warranty
- Easy tear finger-lift tape for faster installation



GENERAL SPECIFICATIONS

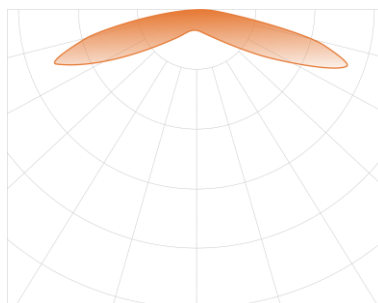
SUPPLY VOLTAGE	12 VDC
POWER	1.45 W
RECOMMENDED DEPTH	from 120 to 200 mm
CC DISTANCE	350 mm
BINNING	3 SDCM
OPERATING TEMPERATURE	-30 °C ~ +50 °C
STORAGE TEMPERATURE	+5 °C ~ +70 °C
STORAGE CONDITIONS	Relative humidity <60%
CERTIFICATION	CE, RoHS and UKCA compliant
IP CLASS	IP67
LIFETIME	L80 50,000 h
WARRANTY	5 years (24/7)*

*Warranty is applied only and if storage, mounting and maintenance conditions, stated in the installation guide, are followed.



Dimensions are in mm

LIGHT DISTRIBUTION GRAPH



Beam angle: 160°

ORDERING INFORMATION

SKU	POWER, W	LUMEN OUTPUT, LM	COLOUR TEMP.
BMOP-SP-LE3A160865E1.5	1.45	180	6500 K
BMOP-SP-LE3A160840E1.5	1.45	171	4000 K
BMOP-SP-LE3A160830E1.5	1.45	143	3000 K

PACKAGING INFORMATION

CHAIN	BAG	BOX
35 pcs (0.6 kg)	105 pcs (2.0 kg)	525 pcs (10.2 kg)