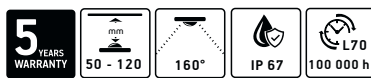


STELLAR S1



ITEM DESCRIPTION

STELLAR series modules are designed to illuminate middle-depth letters and lightboxes. S1 module application is ranging from 50 to 120 mm in depth. These modules come with L70 100 000 h lifetime for 6500K and L70 50,000 h for other colours, granting 5 years warranty. STELLAR S1 – a great option for projects when economical, although a quality solution is needed.

APPLICATION

- Channel letters signs and light boxes
- Recommended depth 50 – 120 mm

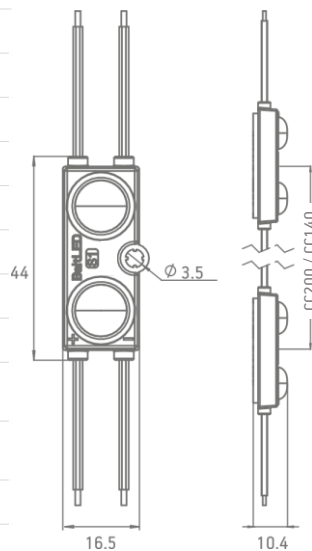
FEATURES & BENEFITS

- Compact design
- CRI >80
- Efficiency up to 115 lm/W
- IP67 protection class
- Availability of red, green and blue colours in 12VDC
- 5-year warranty

GENERAL SPECIFICATIONS

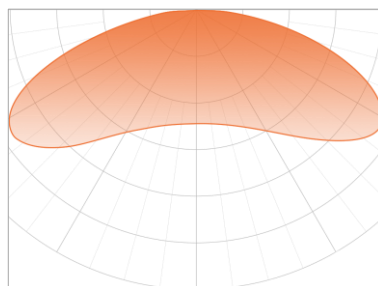
SUPPLY VOLTAGE	12 VDC 24 VDC
POWER	0.5 W 0.75 W
RECOMMENDED DEPTH	From 50 to 120 mm
CC DISTANCE	200 mm 140 mm
BINNING	3 SDCM
OPERATING TEMPERATURE	-30 °C ~ +60 °C
STORAGE TEMPERATURE	+5 °C ~ +50 °C
STORAGE CONDITIONS	Relative humidity <60%
CERTIFICATION	CE, UKCA, RoHS and UL compliant
LIFETIME	L70 100,000 h (6500K) L70 50,000 h (other colors)
IP CLASS	IP 67
WARRANTY	5 years (24/7)*

*Warranty is applied only and if storage, mounting and maintenance conditions, stated in the installation guide, are followed.



* Dimensions are in mm

LIGHT DISTRIBUTION GRAPH



Beam angle: 160°

ORDERING INFORMATION

SKU	SUPPLY VOLTAGE	POWER	CC DISTANCE	LUMEN OUTPUT, LM	COLOUR TEMP.
BMP-S1-02UH160CW700	12 VDC	0.75 W	200 mm	83	6500 K
BMP-S1-02UH160NW400	12 VDC	0.75 W	200 mm	80	4000 K
BMP-S1-02UH160WW300	12 VDC	0.75 W	200 mm	77	3000 K
BMP-S1-02UH160RC	12 VDC	0.75 W	200 mm	30	red
BMP-S1-02UH160GC	12 VDC	0.75 W	200 mm	50	green
BMP-S1-02UH160BC	12 VDC	0.75 W	200 mm	13	blue
BMP-S1-02UH160CW700-24V	24 VDC	0.5 W	140 mm	57	6500 K

PACKAGING INFORMATION

	CHAIN	BAG	BOX
12VDC	50 pcs (net weight: 0.40 kg)	100 pcs (net weight: 0.83 kg)	1000 pcs (net weight 8.60 kg)
24VDC	120 pcs (net weight: 0.86 kg)	120 pcs (net weight: 0.88 kg)	1200 pcs (net weight 9.10 kg)

© 2024, All rights reserved BaltLED, UAB. Specifications are subject to change without notice.