

STELLAR S2



ITEM DESCRIPTION

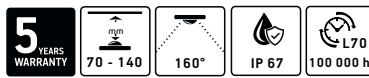
STELLAR series modules are designed to illuminate middle-depth letters and lightboxes. S2 module application is ranging from 70 to 140 mm in depth. These modules come with L70 100 000 h lifetime for 6500K and L70 50,000 h for other colours, granting 5 years warranty. STELLAR S2 – a great option for projects when economical, although a quality solution is needed.

APPLICATION

- Channel letters signs and light boxes
- Recommended depth 70 – 140 mm

FEATURES & BENEFITS

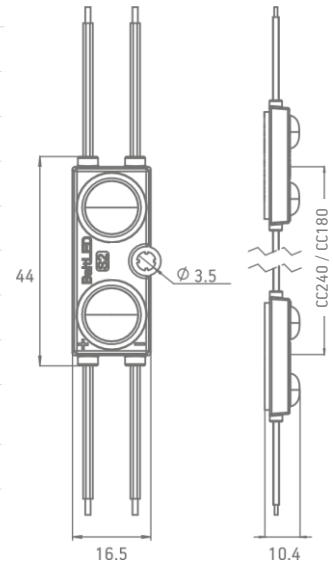
- Compact design
- Efficiency up to 115 lm/W
- IP67 protection class
- 5-year warranty



GENERAL SPECIFICATIONS

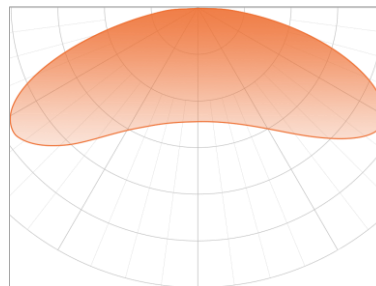
SUPPLY VOLTAGE	12 VDC 24 VDC
POWER	1.0 W 0.8 W
RECOMMENDED DEPTH	From 70 to 140 mm
CC DISTANCE	240 mm 180 mm
BINNING	3 SDCM
OPERATING TEMPERATURE	-30 °C ~ +60 °C
STORAGE TEMPERATURE	+5 °C ~ +50 °C
STORAGE CONDITIONS	Relative humidity <60%
CERTIFICATION	CE, UKCA, RoHS and UL compliant
IP CLASS	IP 67
LIFETIME	L70 100,000 h (6500K) L70 50,000 h (other colors)
WARRANTY	5 years (24/7)*

*Warranty is applied only and if storage, mounting and maintenance conditions, stated in the installation guide, are followed.



* Dimensions are in mm

LIGHT DISTRIBUTION GRAPH



Beam angle: 160°

ORDERING INFORMATION

SKU	SUPPLY VOLTAGE	POWER	CC DISTANCE	LUMEN OUTPUT, LM	COLOUR TEMP.
BMP-S2-02UH160CW700	12 VDC	1.0 W	240 mm	114	6500 K
BMP-S2-02UH160CW700-24V	24 VDC	0.8 W	180 mm	92	6500 K

PACKAGING INFORMATION

	CHAIN	BAG	BOX
12VDC	40 pcs (net weight: 0.39 kg)	120 pcs (net weight: 1.07 kg)	1080 pcs (net weight: 10.1 kg)
24VDC	90 pcs (net weight: 0.59 kg)	90 pcs (net weight: 0.61 kg)	810 pcs (net weight: 5.80 kg)

© 2024, All rights reserved BaltLED, UAB. Specifications are subject to change without notice.