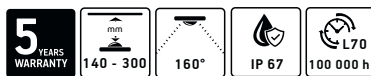


STELLAR S4



ITEM DESCRIPTION

STELLAR series modules are designed to illuminate huge depth letters and lightboxes. S4 module application is ranging from 140 to 300 mm in depth. These modules come with L70 100 000 h lifetime for 6500K and L70 50,000 h for other colours, granting 5 years warranty. STELLAR S4 – a great option for projects when economical, although a quality solution is needed.

APPLICATION

- Channel letters signs and light boxes
- Recommended depth 140 – 300 mm

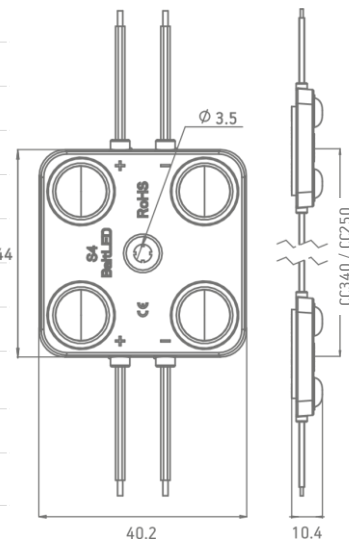
FEATURES & BENEFITS

- Efficiency up to 119 lm/W
- IP67 protection class
- 5-year warranty

GENERAL SPECIFICATIONS

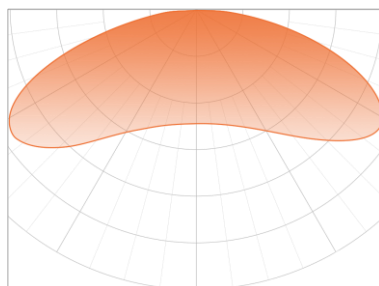
SUPPLY VOLTAGE	12 VDC 24 VDC
POWER	2.0 W 1.4 W
RECOMMENDED DEPTH	From 140 to 300 mm
CC DISTANCE	340 mm 250 mm
BINNING	3 SDCM
OPERATING TEMPERATURE	-30 °C ~ +60 °C
STORAGE TEMPERATURE	+5 °C ~ +50 °C
STORAGE CONDITIONS	Relative humidity <60%
CERTIFICATION	CE, RoHS, UKCA and UL compliant
IP CLASS	IP 67
LIFETIME	L70 100,000 h (6500K) L70 50,000 h (other colors)
WARRANTY	5 years (24/7)*

*Warranty is applied only and if storage, mounting and maintenance conditions, stated in the installation guide, are followed.



* Dimensions are in mm

LIGHT DISTRIBUTION GRAPH



Beam angle: 160°

ORDERING INFORMATION

SKU	SUPPLY VOLTAGE	POWER	CC DISTANCE	LUMEN OUTPUT, LM	COLOUR TEMP.
BMP-S4-04UH160CW700	12 VDC	2.0 W	340 mm	237	6500 K
BMP-S4-04UH160CW700-24V	24 VDC	1.4 W	250 mm	161	6500 K

PACKAGING INFORMATION

	CHAIN	BAG	BOX
12VDC	20 pcs (net weight: 0.46 kg)	60 pcs (net weight: 1.42 kg)	420 pcs (net weight: 10.20 kg)
24VDC	50 pcs (net weight: 0.96 kg)	50 pcs (net weight: 0.98 kg)	350 pcs (net weight: 7.10 kg)

© 2024, All rights reserved BaltLED, UAB. Specifications are subject to change without notice.