

# DUO W3



## ITEM DESCRIPTION

DUO W3 is best for the illumination of shallow and medium depth (140-250mm) double-sided lightboxes. Equipped with advanced optic lenses these modules ensure uniform and bright illumination on different materials, like acrylic glass or textile of up to 2.5-meter height LED boxes. Thanks to the 24V system, more modules can be connected into one chain reducing voltage drops on long chains. Thus, giving availability to reduce electrical connections.

## APPLICATION

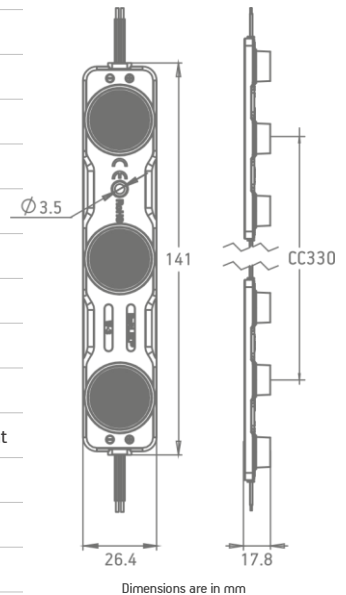
- Double-sided light boxes with depth ranging from 140 to 250 mm
- Maximum height of light box 2 500 mm
- Bus shelters, billboards

## FEATURES & BENEFITS

- 5-year warranty
- Integrated CC controller
- IP66 protection class
- Special optimised elliptical lens 15x45
- CRI 80
- 24 V solution

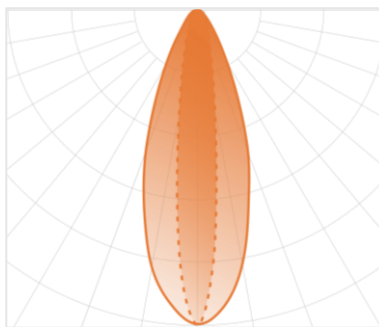
## GENERAL SPECIFICATIONS

SUPPLY VOLTAGE	24 VDC
POWER	3.6 W
CRI	80
RECOMMENDED DEPTH	From 140 to 250 mm
CC DISTANCE	330 mm
BINNING	5 SDCM
OPERATING TEMPERATURE	-20 °C ~ +50 °C
STORAGE TEMPERATURE	-30 °C ~ +60 °C
STORAGE CONDITIONS	Relative humidity <60%
CERTIFICATION	CE, RoHS, UKCA and UL compliant
IP CLASS	IP 66
LIFETIME	L80 50,000 h
WARRANTY	5 years*



\*Warranty is applied only and if storage, mounting and maintenance conditions, stated in the installation guide, are followed.

## LIGHT DISTRIBUTION GRAPH



Beam angle: 15x45°

## ORDERING INFORMATION

PRODUCT NAME	POWER, W	LUMEN OUTPUT, LM	COLOUR TEMP.
BMP-W3-DS865E3.6	3.6	300	6500 K

**NOTE:** Modules are sold in full bags only, with a minimum order of one bag.

CHAIN	BAG	BOX
10 pcs (net weight: ~0.055 kg)	20 pcs (net weight: ~0.11 kg)	160 pcs (net weight: ~0.88 kg)