

NITRO-1



ITEM DESCRIPTION

NITRO-1 is a high-end solution for the illumination of single-sided light boxes. Equipped with the highest transmittance optic lenses in the market, these modules ensure uniform and bright illumination for depths ranging from 50 to 150mm, with a center distance of up to 25 cm between the modules. As they have outstanding pitching, less modules for a square meter are needed compared to standard solutions. NITRO-1 slim design modules have a one-sided wire connection and finger-lift for quicker and easier installation. Powered by top-quality brand LED for the best performance these modules show extreme endurance at harsh working conditions (IP68) and have a 10-year warranty with L70 at 120,000 hours.

APPLICATION

- Small and medium-depth single-sided light boxes
- Recommended depth 50-150 mm

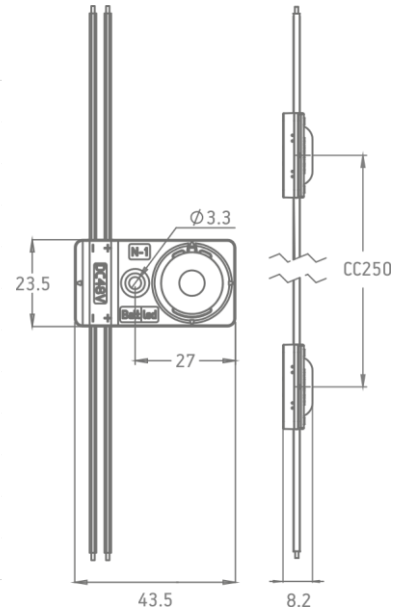
FEATURES & BENEFITS

- Top quality LED
- A significantly wide beam angle
- Outstanding pitching
- Pure 3SDCM
- One-sided wire connection for better module placing
- High waterproof IP68 class
- Aluminum PCB for the best thermal management
- Centered hole for module locking
- Slim design
- Thermal tape for easy heat dissipation
- Finger-lift for faster installation

GENERAL SPECIFICATIONS

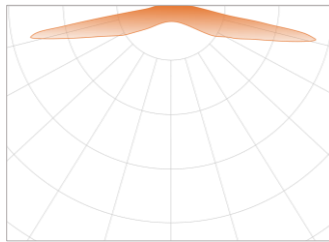
SUPPLY VOLTAGE	24 VDC
POWER	1.2 W
RECOMMENDED DEPTH	from 50 to 150 mm
CC DISTANCE	250 mm
BINNING	3 SDCM
OPERATING TEMPERATURE	-20 °C ~ +50 °C
STORAGE TEMPERATURE	-30° ~ +60 °C
STORAGE CONDITIONS	Relative humidity <60%
CERTIFICATION	CE, RoHS and UKCA compliant
IP CLASS	IP68
LIFETIME	L70B10 120 000 h
WARRANTY	10 years*

*Warranty is applied only and if storage, mounting and maintenance conditions, stated in the installation guide, are followed.



* Dimensions are in mm

LIGHT DISTRIBUTION GRAPH



Beam angle: 176°

ORDERING INFORMATION

SKU	POWER, W	LUMEN OUTPUT, LM	COLOUR TEMP.
BME-N1-830E1.2-24V	1.2	127	3000 K
BME-N1-840E1.2-24V	1.2	133	4000 K
BME-N1-865E1.2-24V	1.2	138	6500 K

PACKAGING INFORMATION

	CHAIN	BAG	BOX
24 VDC	70 pcs. (0,75 kg)	140 pcs. (1,6 kg)	840 pcs. (10,7 kg)

© 2024, All rights reserved BaltLED, UAB. Specifications are subject to change without notice.