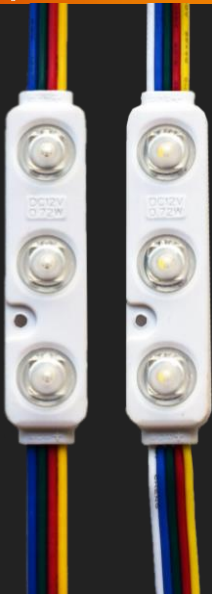
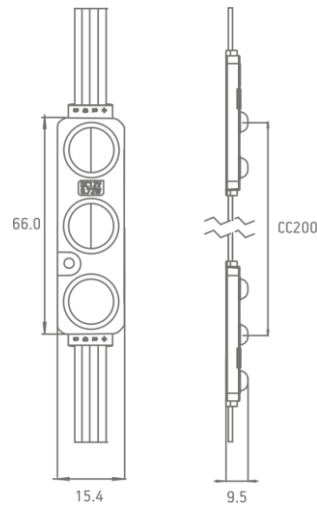


# RGB | RGBW



## GENERAL SPECIFICATIONS

SUPPLY VOLTAGE	12 VDC
POWER, W	0.72 W
CRI	80 (RGBW)
OPTICS	160°
RECCOMENDED DEPTH	60-150 mm
CC DISTANCE	200 mm
COLOUR / CCT	RGB and RGBW
OPERATING TEMPERATURE	-25 °C ~ +55 °C
STORAGE TEMPERATURE	-40°C ~ +85 °C
CERTIFICATION	CE, UKCA and RoHS compliant
IP CLASS	IP65
LIFETIME	L70 50,000 h
WARRANTY	5 years



\* Dimensions are in mm

## ITEM DEcription

If you need a color chasing module to bring your signage projects alive, RGB | RGBW modules are a perfect choice. With efficient and bright LEDs together with good optics, L70 50 000 h lifetime and a 5-years warranty these modules are ideal to illuminate your sign.

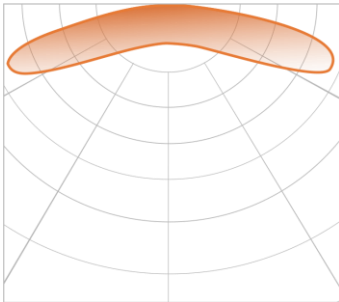
## APPLICATION

- Channel letters signs and lightboxes
- Recommended depth 60-150 mm

## FEATURES & BENEFITS

- 5-years warranty
- L70 50, 000 h lifetime
- RGB and RGBW options
- IP65 protection class

## LIGHT DISTRIBUTION GRAPH



Beam angle 160°

## ORDERING INFORMATION

SKU	POWER, W	LUMEN OUTPUT, LM	TYPICAL BRIGHTNESS OF				STATUS
			red	green	blue	white	
BMOP-RGB-LE3A160E072	0.72	29	8	16	5	-	IN STOCK
BMOP-RGBW-LE3A160E072	0.72	49	6	18	5	20	IN STOCK

\* Pre-order products will be available only with MOQ from 100 pcs., lead time 3-4 weeks. For precise lead time, contact your Customer Service manager.

CHAIN	BAG	BOX
20 pcs (0.34 kg)	100 pcs (1.7 kg)	1000 pcs (18.0 kg)