

5 YEARS WARRANTY

IP 65

CE

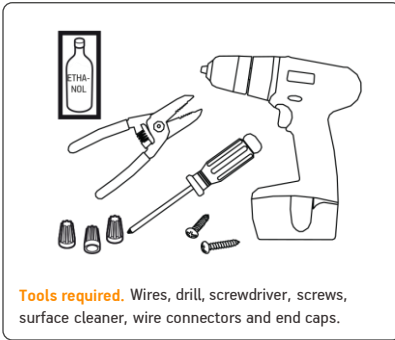
RoHS Compliant

UK CA

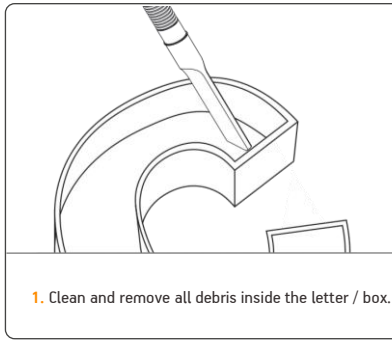
I

RGB | RGBW LED MODULE INSTALLATION GUIDE

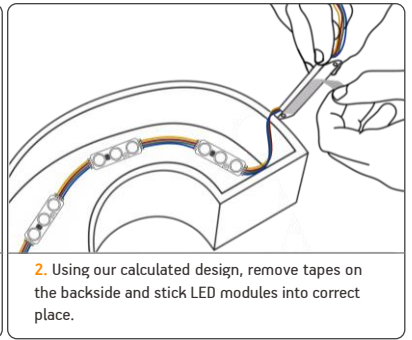
READ THE INSTRUCTIONS CAREFULLY BEFORE MOUNTING



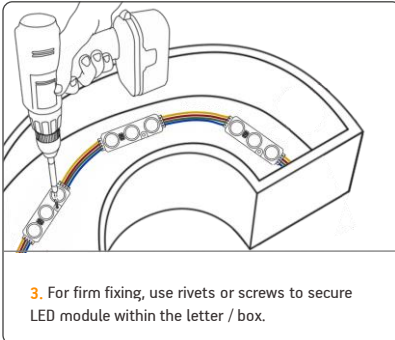
Tools required. Wires, drill, screwdriver, screws, surface cleaner, wire connectors and end caps.



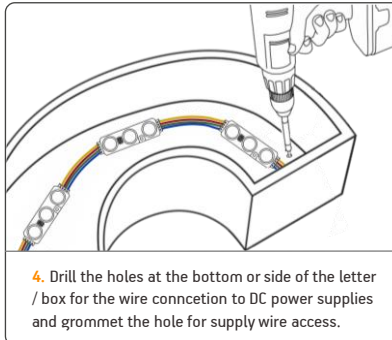
1. Clean and remove all debris inside the letter / box.



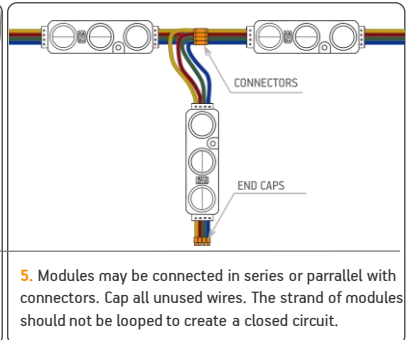
2. Using our calculated design, remove tapes on the backside and stick LED modules into correct place.



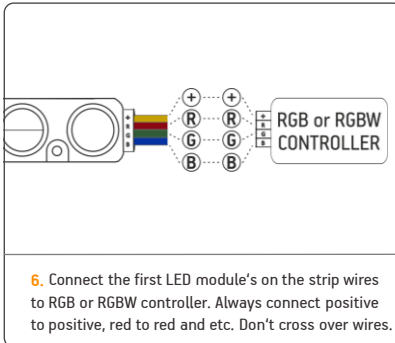
3. For firm fixing, use rivets or screws to secure LED module within the letter / box.



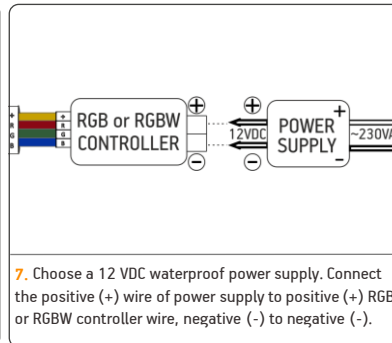
4. Drill the holes at the bottom or side of the letter / box for the wire connection to DC power supplies and grommet the hole for supply wire access.



5. Modules may be connected in series or parallel with connectors. Cap all unused wires. The strand of modules should not be looped to create a closed circuit.

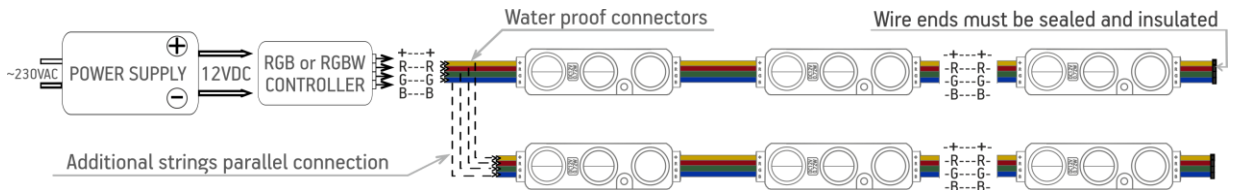


6. Connect the first LED module's on the strip wires to RGB or RGBW controller. Always connect positive to positive, red to red and etc. Don't cross over wires.



7. Choose a 12 VDC waterproof power supply. Connect the positive (+) wire of power supply to positive (+) RGB or RGBW controller wire, negative (-) to negative (-).

CONNECTION SCHEME



! 20 pcs - max number of modules in one chain when the power supplied from single end.
! String end voltage can't be less than 11V, do not exceed specified module string length

POWER SUPPLY LOAD RECOMMENDATIONS

| POWER SUPPLY | QUANTITY modules | 2 m* | | 5 m* | | 10 m* | |
|----------------|---------------------|-----------------|-----|-----------------|-----|-----------------|-----|
| | | mm ² | AWG | mm ² | AWG | mm ² | AWG |
| BPSP-40-12V.1 | 42 | 1.5 | 16 | 2.5 | 14 | 6 | 12 |
| BPSP-60-12V.1 | 64 | 1.5 | 16 | 4 | 13 | 10 | 8 |
| BPSP-100-12V.1 | 105 | 2.5 | 14 | 6 | 10 | 10 | 8 |
| BPSP-150-12V.1 | 160 | 4 | 13 | 10 | 8 | 16 | 6 |

* Distance between power supply and modules.

! Power loss less than 5%.

! Recommendations for optimal use of power supply.

5 YEARS WARRANTY

IP 65

CE

RoHS Compliant

UK CA

I

RGB | RGBW LED MODULE INSTALLATION GUIDE

MOUNTING AND USING RECOMENDATIONS

- Be careful not to go beyond recommended maximum quantities of modules for a power supply. Overload may cause blinking or failure.
- For mounting only pan head tapping screws must be used. The screws must apply DIN 7049 or DIN 968 standards.
- These modules are designed to work with the constant-voltage power supply. Use only recommended power supplies, do not connect to constant-current power supplies as it will cause immediate failure of modules.
- Before installing make sure, that the fixing area can bear the total weight of the modules.
- Please install LED modules with appropriate cables. There is a possibility, that cables may get disconnected due to contractions, caused by temperature changes.
- Please check that sulfur constituent is not contained in used components when the module is installed.
- Make sure to install modules in a place with sufficient breathability in order to prevent lifetime reduction by heat. The operating temperature should not exceed +55 °C.
- When installing a module in a fixture (signboard), make sure to provide ventilation for constituent sulfur, drainage for rainwater to prevent aged deteriorations.
- When fixing cables of the modules do not use a metal cable stop. The tunic of the cable may be damaged and therefore lead to short-circuit.
- Be sure to install modules at a maintainable place.
- In order to prevent LEDs from breaking down caused by static electricity, make sure not to touch the metal parts of the cable directly with bare hands.
- Make sure to apply the correct polarity and direction of the modules. If mistaken, it will lead to failure and break down of the modules.
- When trying to perform a lighting test (burn-in test), be sure to connect the module to a power supply. Modules can fail to light up due to over-current. If the power supply is turned on without LED modules connected, modules can be connected only 5 minutes after the power supply has been turned off. Residual electricity may cause damage to modules.
- Avoid applying force while bending, twisting, or pulling the power supply cables to minimize the risk of electrical shock.
- If any signs of smoke or the smell of burning plastic occurs, turn off modules immediately, and investigate the power supply and the wiring carefully.
- Make sure to record and keep product lot and installation date of the modules.

STORAGE AND MAINTANANCE CONDITIONS

- Before the maintenance, turn off the power and maintain the modules after modules cool down. Otherwise, electric shock or burn may occur.
- Do not pull the wiring while removing the modules to prevent possible disconnections.
- Make sure to store modules at dry places, avoid elevated temperatures, high pressures, vibrations, corrosive or combusive gas, direct sunlight.
- Do not wipe or spray modules with volatile materials, such as thinner or benzene as it may lead to combustion and malfunctioning.
- Modules cannot operate at the presence of materials containing sulfur components or where sulfur-containing gas is generated as it leads to changes in light color and malfunctioning.

GENERAL CONDITIONS

- The installation of modules must be carried out by a qualified technician according to handling standards of electrical equipment.
- Modules and power supply have an absolute maximum rating. Comply with the specifications to avoid failures or combustion.
- Avoid placing any high-temperature objects around the modules, also avoid putting cloth or paper on the modules. It may lead to combustion, burnout, overheat, failure, deformation.
- Modules cannot be used in high-temperature environments, also they must not be subjected to vibration, shock, particles, corrosive or combusive gas. If not followed, it may cause fire, burnouts, bad insulation, failures, overheating, and injuries.
- Do not insert or remove power plugs with wet hands to avoid electrical shock.
- While connecting or disconnecting electrical cords avoid being close to any heating equipment. It may lead to the melting of the cords cause electrical shock.
- Do not modify the module. This may lead to electrical shock, failure, burnout, changes in module color.
- Do not install modules under direct sunlight or falling water. This may lead to electrical shock, burnouts, overheat, even combustion.
- While installing modules in humid areas, grounding of the power supply must be done.
- Modules cannot be used in combination with other types of modules, as this may lead to failure.
- Modules can be used at ambient temperatures ranging from -25 °C to +55 °C.

© 2024, All rights reserved BaltLED, UAB. Specifications are subject to change without notice.