

2024 PRODUCT CATALOG *illuminate your business*

A large, vibrant green plant with many leaves is the central focus on the left side of the image. The background is a dark, dimly lit laboratory or office space. A person is visible in the background, working at a desk with a computer monitor. The ceiling has several square light fixtures. The overall atmosphere is professional and focused on technology and science.

BACK THEN...

MORE THAN 18 YEARS AGO IT ALL BEGAN FROM THIS...

THE BEGINNING

In 2005 one of the co-founders of BaltLED visits his friend a professor at Vilnius University. The professor at the moment happens to be working on the LED-based illumination for greenhouses to enhance the vegetation of plants. The conversation turns towards new developments in LED technology. Here and now the idea to adopt LED technology for signage illumination appears. In less than a year, BaltLED is found and produces the country's first LED module for illuminated signs.

AND NOW...

WHO WE ARE TODAY

BaltLED – an international company, creating, designing and supplying LED illumination solutions for signage all over the Europe and other continents.

With more than 18 years of experience we have already provided signage solutions for uniform illumination for a total area equal to more than 1,000,000 m² of different signage applications.

Having in house R&D, production facility and experienced team project designers and light experts, we are ready to provide the whole project solution.

APPLICATIONS OUR SOLUTIONS COVER



SIGNAGE ILLUMINATION

- Letter signs
- Light box signs
- Stretch ceilings



STREET FURNITURE LIGHTING (SFL)

- Bus shelter displays
- Poster billboards
- Street sign displays

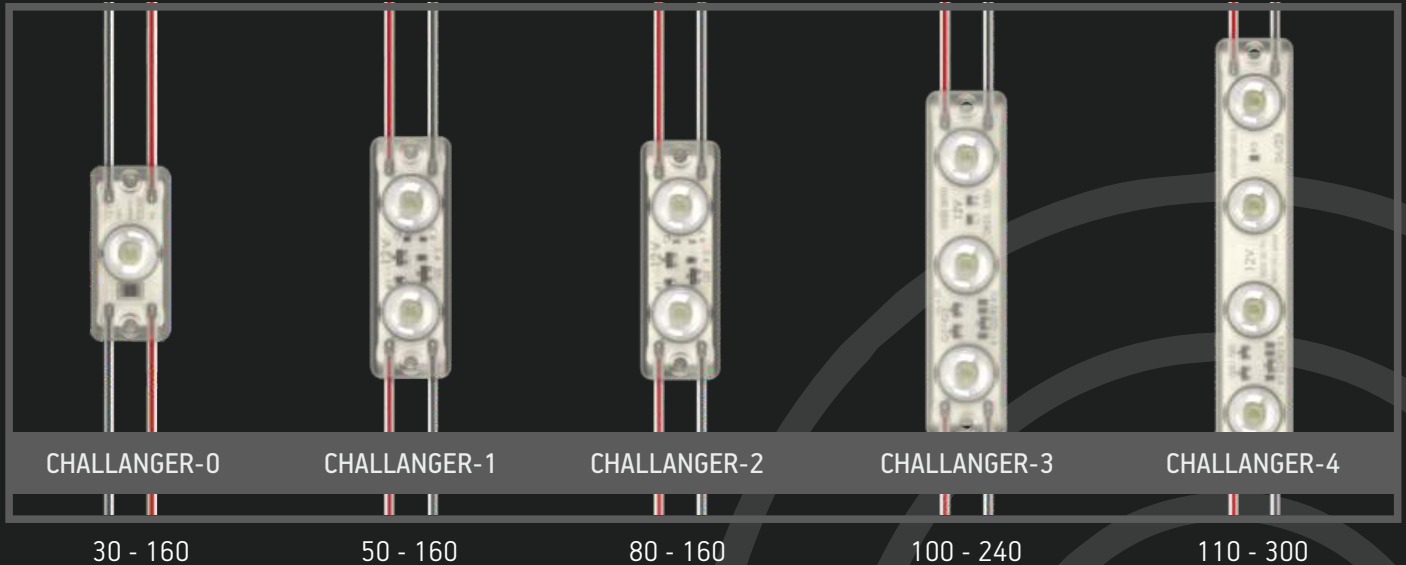
In years, we have received many different awards and certificates. Here you can see few we are the most proud of: golden medals of Product of the Year awards.



5
YEARS
WARRANTY

CHALLENGER SERIES FOR SINGLE-SIDED LIGHTBOXES AND CHANNEL LETTERS

APPLICATION DEPTH, mm



CENTRE-TO-CENTRE DISTANCE, mm

DEPTH, mm	30	40	50	60	70	80	90	100	110	120	130	140	160	180	200	220	240	260	280	300	
C-0	40	60	90	110	120	130	130	130	130	130	130	130	130								
C-1			90	120	140	160	180	190	200	200	200	200	200								
C-2						160	180	190	200	210	220	230	230								
C-3								200	220	240	260	280	320	340	340	340	340				
C-4									250	280	300	320	340	340	340	340	340	340	340	340	340

! Distances provided are based on testing in a lightbox with PLEXIGLAS® XT White WN770 GT, Translucency 30.0%. These are only recommendations and may vary based on application, cover material and other factors. For precise project calculation please contact us at projects@baltled.com

5
YEARS
WARRANTYmm
30 - 160

160°

6500 K

47 lm

0.35 W

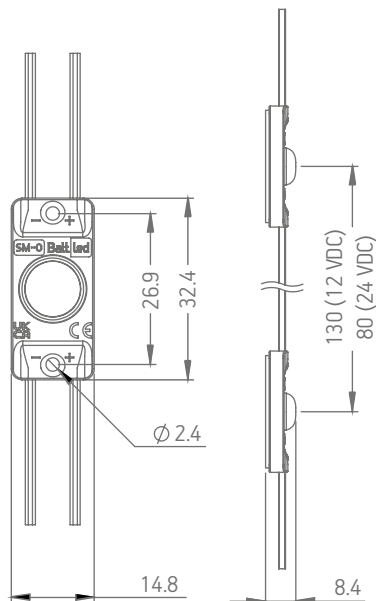
IP 67

L80
70 000 h

GENERAL SPECIFICATIONS

SUPPLY VOLTAGE	12 VDC 24 VDC
POWER	0.2 W 0.35 W 0.5 W
RECOMMENDED DEPTH	From 30 to 160 mm
CC DISTANCE	80 mm 130 mm
BINNING	3 SDCM
OPERATING TEMPERATURE	-20°C ~ +50°C
STORAGE TEMPERATURE	-30°C ~ +60°C
STORAGE CONDITIONS	Relative humidity <60%
LIFETIME	L80 70,000 h
CERTIFICATION	CE, UKCA and RoHS compliant
WARRANTY	5 years (24/7)*

*Warranty is applied only and if storage, mounting and maintenance conditions, stated in the installation guide, are followed.



Dimensions are in mm

CHALLENGER-0



APPLICATION

ORDERING INFORMATION

SKU	SUPPLY VOLTAGE	CC DISTANCE, MM	POWER, W	LUMEN OUTPUT, LM	COLOUR / CCT	
BMP-M0-01UH160WW035	12 VDC	130	0.35	44	3000 K	
BMP-M0-01UH160NW035		130	0.35	46	4000 K	
BMP-M0-01UH160CW035		130	0.35	47	6500 K	
BMP-M0-01UH160CW050		130	0.50	60	6500 K	
BMP-M0-01UH160R035		130	0.35	15	red	
BMP-M0-01UH160G035		130	0.35	34	green	
BMP-M0-01UH160B035		130	0.35	8	blue	
BMP-M0-01UH160WW020-24V		24 VDC	80	0.20	26	3000 K
BMP-M0-01UH160NW020-24V			80	0.20	27	4000 K
BMP-M0-01UH160NW020-24V			80	0.20	28	6500 K

PACKAGING INFORMATION

	CHAIN	BAG	BOX
12 VDC	30 pcs	210 pcs	1470 pcs
24 VDC	80 pcs	160 pcs	1120 pcs



Best for 30 - 160 mm

CHALLENGER-1



APPLICATION



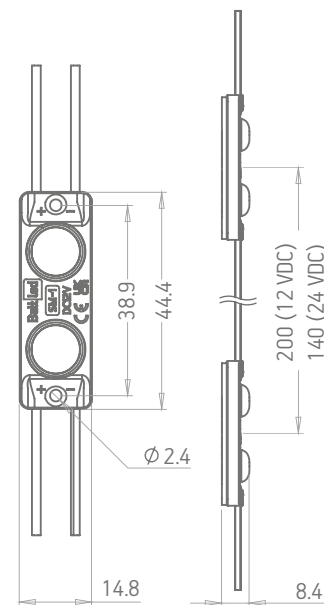
Best for **50 - 160 mm**



GENERAL SPECIFICATIONS

SUPPLY VOLTAGE	12 VDC 24 VDC
POWER	0.5 W 0.75 W
RECOMMENDED DEPTH	From 50 to 160 mm
CC DISTANCE	140 mm 200 mm
BINNING	3 SDCM
OPERATING TEMPERATURE	-20 °C ~ +50 °C
STORAGE TEMPERATURE	-30 °C ~ +70 °C
STORAGE CONDITIONS	Relative humidity <60%
LIFETIME	L80 70,000 h
CERTIFICATION	CE, UKCA and RoHS compliant
WARRANTY	5 years (24/7)*

*Warranty is applied only and if storage, mounting and maintenance conditions, stated in the installation guide, are followed.



Dimensions are in mm

ORDERING INFORMATION

SKU	SUPPLY VOLTAGE	CC DISTANCE, MM	POWER, W	LUMEN OUTPUT, LM	COLOUR / CCT
BMP-M1-02UH160WW075	12 VDC	200	0.75	86	3000 K
BMP-M1-02UH160NW075		200	0.75	90	4000 K
BMP-M1-02UH160CW075		200	0.75	92	6500 K
BMP-M1-02UH160R075		200	0.75	27	red
BMP-M1-02UH160G075		200	0.75	74	green
BMP-M1-02UH160B075		200	0.75	15	blue
BMP-M1-02UH160WW050-24V	24 VDC	140	0.50	58	3000 K
BMP-M1-02UH160NW050-24V		140	0.50	61	4000 K
BMP-M1-02UH160CW050-24V		140	0.50	62	6500 K

PACKAGING INFORMATION

	CHAIN	BAG	BOX
12 VDC	38 pcs	152 pcs	1064 pcs
24 VDC	110 pcs	220 pcs	880 pcs

5
YEARS
WARRANTYmm
80 - 160

160°

6500 K

119 lm

1.0 W

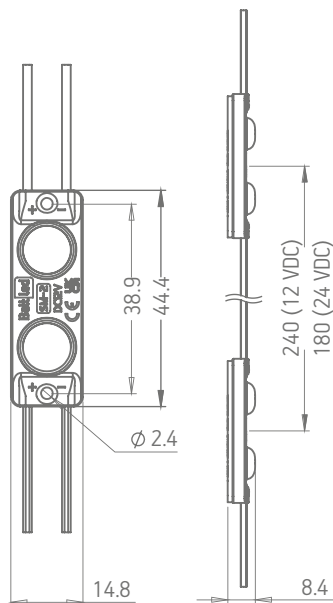
IP 67

L80
70 000 h

GENERAL SPECIFICATIONS

SUPPLY VOLTAGE	12 VDC 24 VDC
POWER	0.8 W 1.0 W
RECOMMENDED DEPTH	From 80 to 160 mm
CC DISTANCE	180 mm 240 mm
BINNING	3 SDCM
OPERATING TEMPERATURE	-20 °C ~ +50 °C
STORAGE TEMPERATURE	-30 °C ~ +60 °C
STORAGE CONDITIONS	Relative humidity <60%
LIFETIME	L80 70,000 h
CERTIFICATION	CE, UKCA and RoHS compliant
WARRANTY	5 years (24/7)*

*Warranty is applied only and if storage, mounting and maintenance conditions, stated in the installation guide, are followed.



Dimensions are in mm

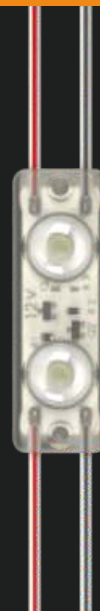
ORDERING INFORMATION

SKU	SUPPLY VOLTAGE	CC DISTANCE, MM	POWER, W	LUMEN OUTPUT, LM	COLOUR / CCT
BMP-M2-02UH160WW100	12 VDC	240	1.0	112	3000 K
BMP-M2-02UH160NW100		240	1.0	117	4000 K
BMP-M2-02UH160CW100		240	1.0	119	6500 K
BMP-M2-02UH160WW080-24V	24 VDC	180	0.80	91	3000 K
BMP-M2-02UH160NW080-24V		180	0.80	95	4000 K
BMP-M2-02UH160CW080-24V		180	0.80	97	6500 K

PACKAGING INFORMATION

	CHAIN	BAG	BOX
12 VDC	35 pcs	140 pcs	980 pcs
24 VDC	90 pcs	180 pcs	820 pcs

CHALLENGER-2



APPLICATION



Best for **80 - 160 mm**

CHALLENGER-3



APPLICATION



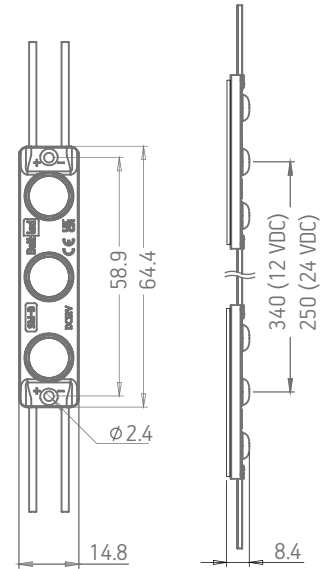
Best for 100 - 240 mm



GENERAL SPECIFICATIONS

SUPPLY VOLTAGE	12 VDC 24 VDC
POWER	1.1 W 1.2 W 1.5 W
RECOMMENDED DEPTH	From 100 to 140 mm
CC DISTANCE	250 mm 340 mm
BINNING	3 SDCM
OPERATING TEMPERATURE	-20 °C ~ +50 °C
STORAGE TEMPERATURE	-30 °C ~ +60 °C
STORAGE CONDITIONS	Relative humidity <60%
LIFETIME	L80 70,000 h
CERTIFICATION	CE, UKCA and RoHS compliant
WARRANTY	5 years (24/7)*

*Warranty is applied only and if storage, mounting and maintenance conditions, stated in the installation guide, are followed.



Dimensions are in mm

ORDERING INFORMATION

SKU	SUPPLY VOLTAGE	CC DISTANCE, MM	POWER, W	LUMEN OUTPUT, LM	COLOUR / CCT
BMP-M3-03UH160WW150	12 VDC	340	1.5	164	3000 K
BMP-M3-03UH160NW150		340	1.5	171	4000 K
BMP-M3-03UH160CW150		340	1.5	174	6500 K
BMP-M3-03UH160R150		340	1.2	42	red
BMP-M3-03UH160WW110-24V	24 VDC	250	1.1	120	3000 K
BMP-M3-03UH160NW110-24V		250	1.1	125	4000 K
BMP-M3-03UH160CW110-24V		250	1.1	128	6500 K

PACKAGING INFORMATION

	CHAIN	BAG	BOX
12 VDC	24 pcs	120 pcs	840 pcs
24 VDC	66 pcs	132 pcs	792 pcs

5
YEARS
WARRANTYmm
110 - 300

160°

6500 K

233 lm

2.0 W

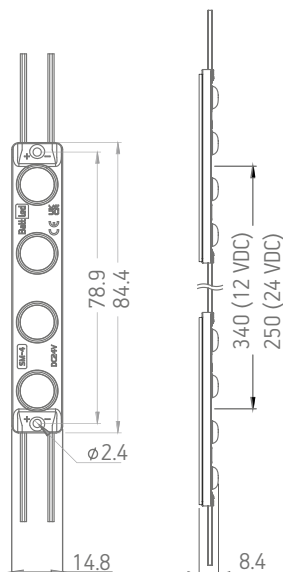
IP 67

L80
70 000 h

GENERAL SPECIFICATIONS

SUPPLY VOLTAGE	12 VDC 24 VDC
POWER	1.4 W 2.0 W
RECOMMENDED DEPTH	From 110 to 300 mm
CC DISTANCE	250 mm 340 mm
BINNING	3 SDCM
OPERATING TEMPERATURE	-20 °C ~ +50 °C
STORAGE TEMPERATURE	-30 °C ~ +60 °C
STORAGE CONDITIONS	Relative humidity <60%
LIFETIME	L80 70,000 h
CERTIFICATION	CE, UKCA and RoHS compliant
WARRANTY	5 years (24/7)*

*Warranty is applied only and if storage, mounting and maintenance conditions, stated in the installation guide, are followed.



Dimensions are in mm

ORDERING INFORMATION

SKU	SUPPLY VOLTAGE	CC DISTANCE, MM	POWER, W	LUMEN OUTPUT, LM	COLOUR / CCT
BMP-M4-04UH160WW200	12 VDC	340	2.0	219	3000 K
BMP-M4-04UH160NW200		340	2.0	228	4000 K
BMP-M4-04UH160CW200		340	2.0	233	6500 K
BMP-M4-04UH160WW140-24V	24 VDC	250	1.4	156	3000 K
BMP-M4-04UH160NW140-24V		250	1.4	163	4000 K
BMP-M4-04UH160CW140-24V		250	1.4	166	6500 K

PACKAGING INFORMATION

	CHAIN	BAG	BOX
12 VDC	20 pcs	100 pcs	700 pcs
24 VDC	50 pcs	100 pcs	600 pcs

CHALLENGER-4



APPLICATION



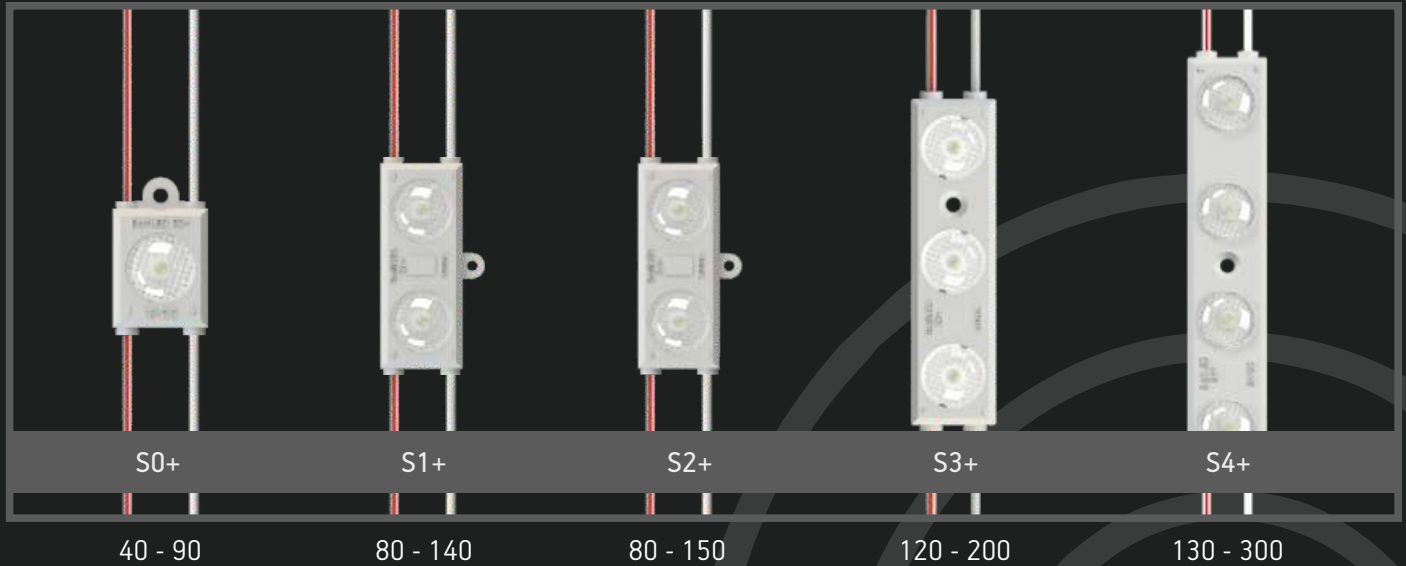
Best for 110 - 300 mm



YEARS
WARRANTY

OPTO S+ FOR SINGLE-SIDED LIGHTBOXES AND CHANNEL LETTERS

APPLICATION DEPTH, mm



CENTRE-TO-CENTRE DISTANCE, mm

DEPTH, mm	40	50	60	70	80	90	100	110	120	130	140	150	160	170	180	190	200	220	250	280	300		
S0+	80	100	120	140	160	170																	
S1+					160	180	200	210	230	250	250												
S2+					150	170	190	200	210	250	290	300											
S3+									240	260	260	270	270	300	310	330	350						
S4+										350	350	360	360	370	370	380	380	390	390	400	400		

! Distances provided are based on testing in a lightbox with PLEXIGLAS® XT White WN770 GT, Translucency 30.0%. These are only recommendations and may vary based on application, cover material and other factors. For precise project calculation please contact us at projects@ballted.com

5
YEARS
WARRANTYmm
40 - 90

160°

6500 K

64 lm

0.5 W

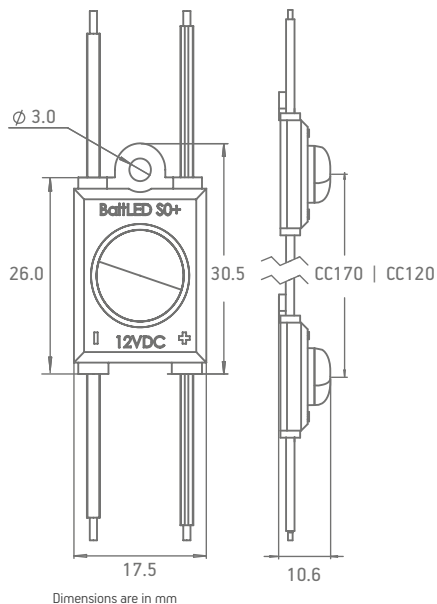
IP 67

L80
50 000 h

GENERAL SPECIFICATIONS

SUPPLY VOLTAGE	12 VDC
POWER	0.5 W
RECOMMENDED DEPTH	From 40 to 90 mm
CC DISTANCE	170 mm 120 mm
BINNING	3 SDCM
OPERATING TEMPERATURE	-30 °C ~ +50 °C
STORAGE TEMPERATURE	+5 °C ~ +70 °C
STORAGE CONDITIONS	Relative humidity <60%
LIFETIME	L80 50,000 h
CERTIFICATION	CE, UKCA and RoHS compliant
WARRANTY	5 years (24/7)*

*Warranty is applied only and if storage, mounting and maintenance conditions, stated in the installation guide, are followed.



Dimensions are in mm

ORDERING INFORMATION

SKU	CC DISTANCE, MM	POWER, W	LUMEN OUTPUT, LM	COLOUR / CCT
BMOP-SP-LE1A160865E05	170	0.5	63	6500 K
BMOP-SP-LE1A160865E05CC	120	0.5	63	6500 K
BMOP-SP-LE1A160840E05	170	0.5	64	4000 K
BMOP-SP-LE1A160830E05	170	0.5	50	3000 K
BMOP-SP-LE1A160RE05	170	0.45	20	red
BMOP-SP-LE1A160GE05	170	0.5	44	green
BMOP-SP-LE1A160BE05	170	0.5	11	blue

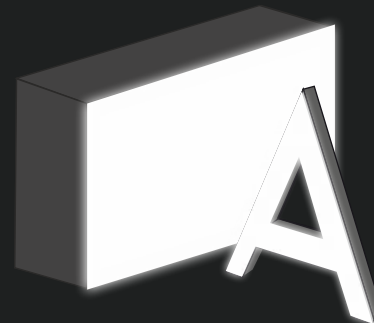
PACKAGING INFORMATION

CC DISTANCE, MM	CHAIN	BAG	BOX
170	60 pcs (net weight: 0.4 kg)	120 pcs (net weight: 0.9 kg)	1200 pcs (net weight: 9.38kg)
120	80 pcs (net weight: 0.6 kg)	160 pcs (net weight: 1.2 kg)	1280 pcs (net weight: 9.97 kg)

OPTO S0+



APPLICATION

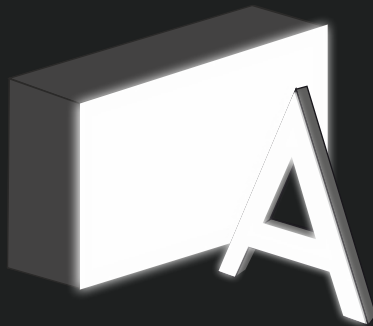


Best for 40 - 90 mm

OPTO S1+



APPLICATION



Best for 80 - 140 mm

5 YEARS WARRANTY

80 - 140

160°

6500 K

122 lm

1.0 W

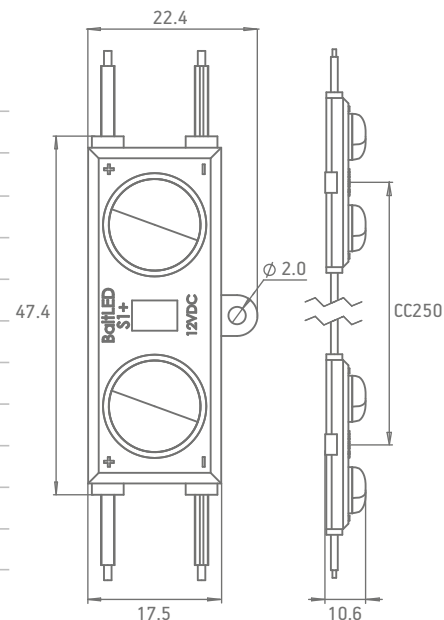
IP 67

L80 50 000 h

GENERAL SPECIFICATIONS

SUPPLY VOLTAGE	12 VDC
POWER	1.0 W
RECOMMENDED DEPTH	From 80 to 140 mm
CC DISTANCE	250 mm
BINNING	3 SDCM
OPERATING TEMPERATURE	-30 °C ~ +50 °C
STORAGE TEMPERATURE	+5 °C ~ +70 °C
STORAGE CONDITIONS	Relative humidity <60%
LIFETIME	L80 50,000 h
CERTIFICATION	CE, UKCA and RoHS compliant
WARRANTY	5 years (24/7)*

*Warranty is applied only and if storage, mounting and maintenance conditions, stated in the installation guide, are followed.



Dimensions are in mm

ORDERING INFORMATION

SKU	POWER, W	LUMEN OUTPUT, LM	COLOUR / CCT
BMOP-SP-LE2A160865E1	1.0	122	6500 K
BMOP-SP-LE2A160840E1	1.0	121	4000 K
BMOP-SP-LE2A160830E1	1.0	93	3000 K
BMOP-SP-LE2A160RE09	0.9	34	red
BMOP-SP-LE2A160GE1	1.0	85	green
BMOP-SP-LE2A160BE1	1.0	20	blue

PACKAGING INFORMATION

CHAIN	BAG	BOX
35 pcs (net weight: 0.4 kg)	70 pcs (net weight: 0.9 kg)	560 pcs (net weight: 7.22 kg)

10
YEARS
LIMITED
WARRANTY

80 - 150

160°

6500 K

160 lm

1.0 W

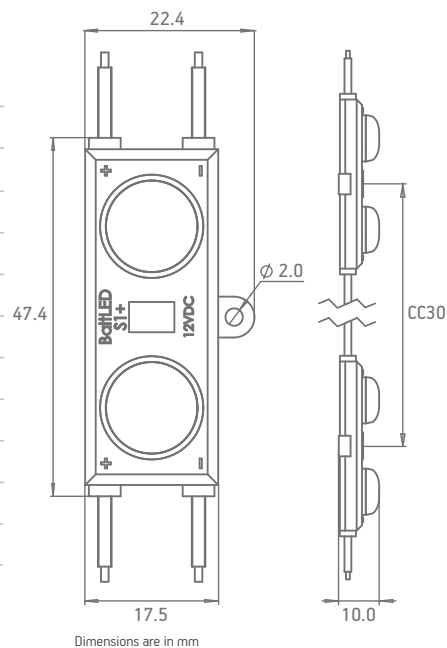
IP 67

50 000 h

GENERAL SPECIFICATIONS

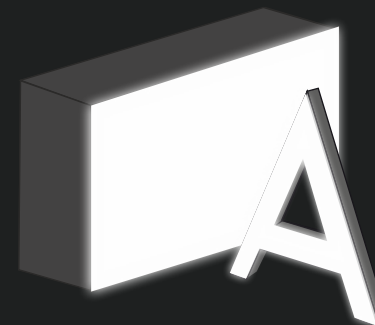
SUPPLY VOLTAGE	24 VDC
POWER	1.0 W
RECOMMENDED DEPTH	From 80 to 150 mm
CC DISTANCE	300 mm
BINNING	3 SDCM
OPERATING TEMPERATURE	-20 °C ~ +50 °C
STORAGE TEMPERATURE	-30 °C ~ +60 °C
STORAGE CONDITIONS	Relative humidity <60%
LIFETIME	L80 50,000 h
CERTIFICATION	CE, UKCA and RoHS compliant
WARRANTY	10 years (24/7)*

*Limited ten (10) years warranty is valid for the products only if BaltLED LED drivers (power suppliers) are used in the complete system starting with the SKU of BPSP-... and BPSE-.... In other case, a standard 5 years warranty is given. Warranty is applied only and if storage, mounting and maintenance conditions, stated in the installation guide, are followed.



OPTO S2+

APPLICATION



Best for 80 - 150 mm

ORDERING INFORMATION

SKU	POWER, W	LUMEN OUTPUT, LM	COLOUR / CCT
BMP-S2P1-730E1-24V	1.0	148	3000 K
BMP-S2P1-740E1-24V	1.0	160	4000 K
BMP-S2P1-765E1-24V	1.0	160	6500 K

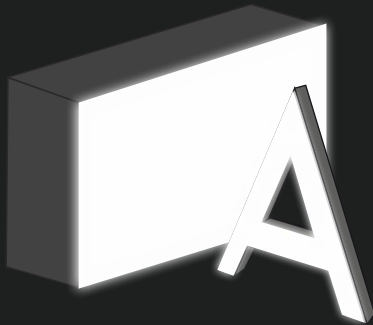
PACKAGING INFORMATION

CHAIN	BAG	BOX
45 pcs (net weight: 0.7 kg)	90 pcs (net weight: 1.3 kg)	720 pcs (net weight: 10.94 kg)

OPTO S3+



APPLICATION



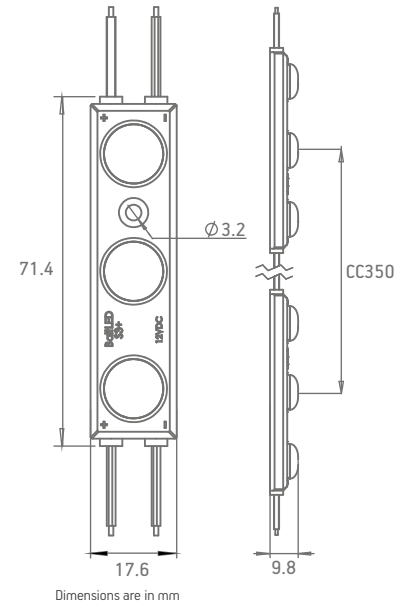
Best for 120 - 200 mm



GENERAL SPECIFICATIONS

SUPPLY VOLTAGE	12 VDC
POWER	1.45 W
RECOMMENDED DEPTH	From 120 to 200 mm
CC DISTANCE	350 mm
BINNING	3 SDCM
OPERATING TEMPERATURE	-30 °C ~ +50 °C
STORAGE TEMPERATURE	+5 °C ~ +70 °C
STORAGE CONDITIONS	Relative humidity <60%
LIFETIME	L80 50,000 h
CERTIFICATION	CE, UKCA and RoHS compliant
WARRANTY	5 years (24/7)*

*Warranty is applied only and if storage, mounting and maintenance conditions, stated in the installation guide, are followed.



Dimensions are in mm

ORDERING INFORMATION

SKU	POWER, W	LUMEN OUTPUT, LM	COLOUR / CCT
BMOP-SP-LE3A160865E1.5	1.45	180	6500 K
BMOP-SP-LE3A160840E1.5	1.45	171	4000 K
BMOP-SP-LE3A160830E1.5	1.45	143	3000 K

PACKAGING INFORMATION

CHAIN	BAG	BOX
35 pcs (net weight: 0.6 kg)	105 pcs (net weight: 2.0 kg)	525 pcs (net weight: 10.21 kg)

10 YEARS
LIMITED
WARRANTY

mm
130 - 300

160°

6500 K

300 lm

1.8 W

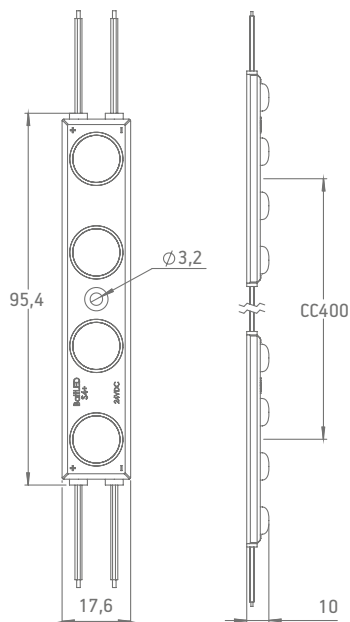
IP 67

L80
50 000 h

GENERAL SPECIFICATIONS

SUPPLY VOLTAGE	24 VDC
POWER	1.8 W
RECOMMENDED DEPTH	From 130 to 300 mm
CC DISTANCE	400 mm
BINNING	3 SDCM
OPERATING TEMPERATURE	-20 °C ~ +50 °C
STORAGE TEMPERATURE	-30 °C ~ +60 °C
STORAGE CONDITIONS	Relative humidity <60%
LIFETIME	L80 50,000 h
CERTIFICATION	CE, UKCA and RoHS compliant
WARRANTY	10 years (24/7)*

*Limited ten (10) years warranty is valid for the products only if BaltLED LED drivers (power suppliers) are used in the complete system starting with the SKU of BPSP-... and BPSE-... In other case, a standard 5 years warranty is given. Warranty is applied only and if storage, mounting and maintenance conditions, stated in the installation guide, are followed.



Dimensions are in mm

OPTO S4+

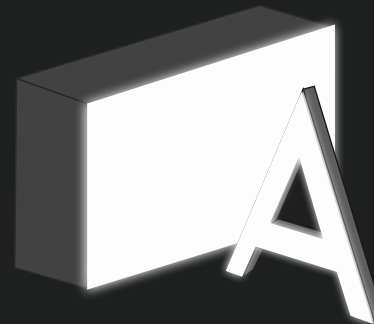
APPLICATION

ORDERING INFORMATION

SKU	POWER, W	LUMEN OUTPUT, LM	COLOUR / CCT
BMP-S4P.1-730E1.8-24V	1.8	276	3000 K
BMP-S4P.1-740E1.8-24V	1.8	300	4000 K
BMP-S4P.1-765E1.8-24V	1.8	300	6500 K

PACKAGING INFORMATION

CHAIN	BAG	BOX
40 pcs (net weight: 0.9 kg)	80 pcs (net weight: 1.8 kg)	400 pcs (net weight: 12.52 kg)



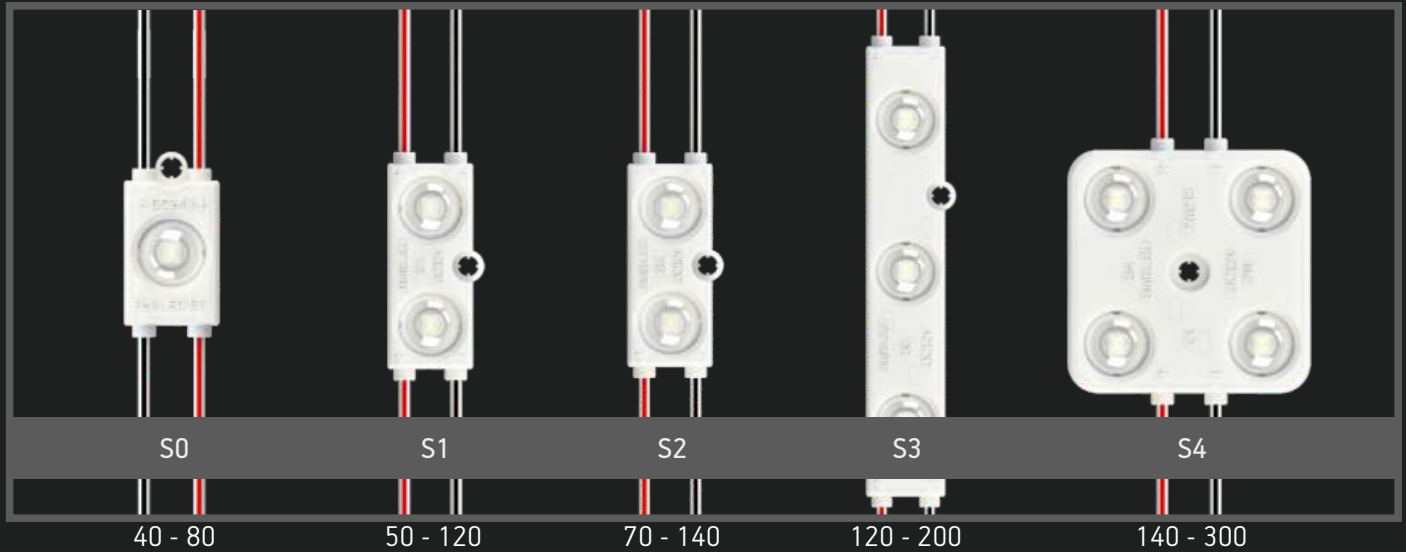
Best for **130 - 300 mm**



YEARS
WARRANTY

STELLAR FAMILY FOR CHANNEL LETTERS + SINGLE-SIDED LIGHTBOXES

APPLICATION DEPTH, mm



CENTRE-TO-CENTRE DISTANCE, mm

DEPTH, mm	40	50	60	70	80	90	100	110	120	130	140	150	160	170	180	190	200	250	300	
S0	60	80	100	100	130															
S1		80	90	110	130	150	170	180	200											
S2				110	130	160	160	180	200	210	230									
S3									200	210	240	270	310	310	340	340	340			
S4											250	270	310	330	340	340	340	340	340	340

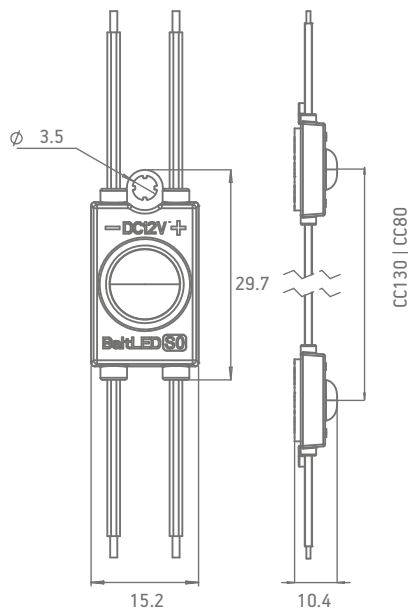
! Distances provided are based on testing in a lightbox with PLEXIGLAS® XT White WN770 GT, Translucency 30.0%. These are only recommendations and may vary based on application, cover material and other factors. For precise project calculation please contact us at projects@baltled.com



GENERAL SPECIFICATIONS

SUPPLY VOLTAGE	12 VDC 24 VDC
POWER	0.35 W 0.2W
RECOMMENDED DEPTH	From 40 to 80 mm
CC DISTANCE	130 mm 80 mm
BINNING	3 SDCM
OPERATING TEMPERATURE	-30 °C ~ +60 °C
STORAGE TEMPERATURE	+5 °C ~ +50 °C
STORAGE CONDITIONS	Relative humidity <60%
LIFETIME	L70 100,000 h (6500K) L70 50,000 h (other colors)
CERTIFICATION	CE, UKCA, RoHS and UL compliant
WARRANTY	5 years (24/7)*

*Warranty is applied only and if storage, mounting and maintenance conditions, stated in the installation guide, are followed.



Dimensions are in mm

ORDERING INFORMATION

SKU	SUPPLY VOLTAGE	CC DISTANCE	POWER, W	LUMEN OUTPUT, LM	COLOUR/CCT
BMP-S0-01UH160CW700	12 VDC	130 mm	0.35	43	6500 K
BMP-S0-01UH160CW700-24V	24 VDC	80 mm	0.2	25	6500 K
BMP-S0-01UH160NW400	12 VDC	130 mm	0.35	42	4000 K
BMP-S0-01UH160WW300	12 VDC	130 mm	0.35	40	3000 K
BMP-S0-01UH160RC	12 VDC	130 mm	0.35	15	red
BMP-S0-01UH160GC	12 VDC	130 mm	0.35	25	green
BMP-S0-01UH160BC	12 VDC	130 mm	0.35	6	blue

PACKAGING INFORMATION

	CHAIN	BAG	BOX
6500 K 12 VDC			
4000 K 12 VDC	60 pcs (net weight: 0.38 kg)	120 pcs (net weight: 0.79 kg)	1200 pcs (net weight: 8.20 kg)
3000 K 12 VDC			
6500 K 24 VDC	150 pcs (net weight: 0.67 kg)	150 pcs (net weight: 0.69kg)	1500 pcs (net weight: 7.20 kg)
OTHER COLOURS	70 pcs (net weight: 0.375 kg)	140 pcs (net weight: 0.745kg)	1400 pcs (net weight: 8.00 kg)

STELLAR-0



APPLICATION



Best for 40 - 80 mm

STELLAR-1



APPLICATION



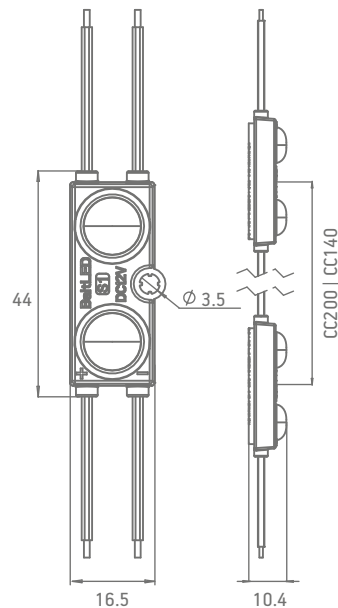
Best for 50 - 120 mm



GENERAL SPECIFICATIONS

SUPPLY VOLTAGE	12 VDC 24 VDC
POWER	0.75 W 0.5 W
RECOMMENDED DEPTH	From 50 to 120 mm
CC DISTANCE	200 mm 140 mm
BINNING	3 SDCM
OPERATING TEMPERATURE	-30 °C ~ +60 °C
STORAGE TEMPERATURE	+5 °C ~ +50 °C
STORAGE CONDITIONS	Relative humidity <60%
LIFETIME	L70 100,000 h (6500K) L70 50,000 h (other colors)
CERTIFICATION	CE, UKCA, RoHS and UL compliant
WARRANTY	5 years (24/7)*

*Warranty is applied only and if storage, mounting and maintenance conditions, stated in the installation guide, are followed.



Dimensions are in mm

ORDERING INFORMATION

SKU	SUPPLY VOLTAGE	CC DISTANCE	POWER, W	LUMEN OUTPUT, LM	COLOUR/CCT
BMP-S1-02UH160CW700	12 VDC	200 mm	0.75	83	6500 K
BMP-S1-02UH160CW700-24V	24 VDC	140 mm	0.5	57	6500 K
BMP-S1-02UH160NW400	12 VDC	200 mm	0.75	80	4000 K
BMP-S1-02UH160WW300	12 VDC	200 mm	0.75	77	3000 K
BMP-S1-02UH160RC	12 VDC	200 mm	0.75	30	red
BMP-S1-02UH160GC	12 VDC	200 mm	0.75	50	green
BMP-S1-02UH160BC	12 VDC	200 mm	0.75	13	blue

PACKAGING INFORMATION

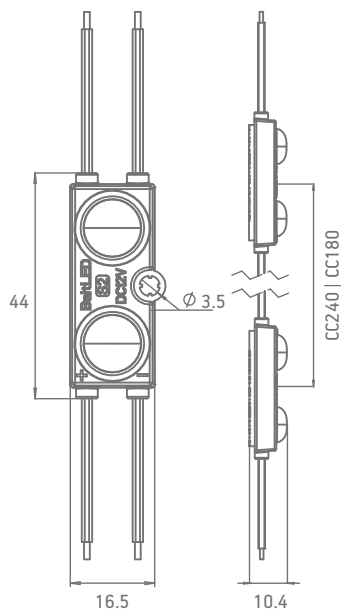
	CHAIN	BAG	BOX
12 VDC	50 pcs (net weight: 0.40 kg)	100 pcs (net weight: 0.83 kg)	1000 pcs (net weight 8.60 kg)
24 VDC	120 pcs (net weight: 0.86 kg)	120 pcs (net weight: 0.88 kg)	1200 pcs (net weight 9.10 kg)



GENERAL SPECIFICATIONS

SUPPLY VOLTAGE	12 VDC 24 VDC
POWER	1.0 W 0.8 W
RECOMMENDED DEPTH	From 70 to 140 mm
CC DISTANCE	240 mm 180 mm
BINNING	3 SDCM
OPERATING TEMPERATURE	-30 °C ~ +60 °C
STORAGE TEMPERATURE	+5 °C ~ +50 °C
STORAGE CONDITIONS	Relative humidity <60%
LIFETIME	L70 100,000 h (6500K) L70 50,000 h (other colors)
CERTIFICATION	CE, UKCA, RoHS and UL compliant
WARRANTY	5 years (24/7)*

*Warranty is applied only and if storage, mounting and maintenance conditions, stated in the installation guide, are followed.



Dimensions are in mm

ORDERING INFORMATION

SKU	SUPPLY VOLTAGE	CC DISTANCE	POWER, W	LUMEN OUTPUT, LM	COLOUR/ CCT
BMP-S2-02UH160CW700	12 VDC	240	1	114	6500 K
BMP-S2-02UH160CW700-24V	24 VDC	180	0.8	92	6500 K

PACKAGING INFORMATION

	CHAIN	BAG	BOX
12 VDC	40 pcs (net weight: 0.39 kg)	120 pcs (net weight: 1.07 kg)	1080 pcs (net weight: 10.1 kg)
24 VDC	90 pcs (net weight: 0.59 kg)	90 pcs (net weight: 0.61 kg)	810 pcs (net weight: 5.80 kg)

STELLAR-2



APPLICATION



Best for **70 - 140 mm**

STELLAR-3



APPLICATION



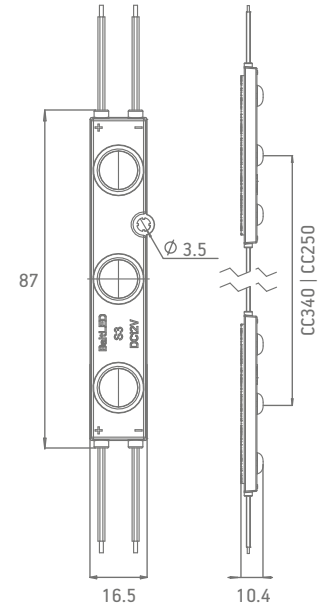
Best for 120 - 200 mm



GENERAL SPECIFICATIONS

SUPPLY VOLTAGE	12 VDC 24 VDC
POWER	1.5 W; 1.1 W
RECOMMENDED DEPTH	From 120 to 200 mm
CC DISTANCE	340 mm 250 mm
BINNING	3 SDCM
OPERATING TEMPERATURE	-30 °C ~ +60 °C
STORAGE TEMPERATURE	+5 °C ~ +50 °C
STORAGE CONDITIONS	Relative humidity <60%
LIFETIME	L70 100,000 h (6500K) L70 50,000 h (other colors)
CERTIFICATION	CE, UKCA, RoHS and UL compliant
WARRANTY	5 years (24/7)*

*Warranty is applied only and if storage, mounting and maintenance conditions, stated in the installation guide, are followed.



Dimensions are in mm

ORDERING INFORMATION

SKU	SUPPLY VOLTAGE	CC DISTANCE	POWER, W	LUMEN OUTPUT, LM	COLOUR/CCT
BMP-S3-03UH160CW700	12 VDC	340 mm	1.5	176	6500 K
BMP-S3-03UH160CW700-24V	24 VDC	250 mm	1.1	128	6500 K
BMP-S3-03UH160NW401	12 VDC	340 mm	1.5	152	4000 K
BMP-S3-03UH160WW301	12 VDC	340 mm	1.5	152	3000 K
BMP-S3-03UH160RC	12 VDC	340 mm	1.5	52	red

PACKAGING INFORMATION

	CHAIN	BAG	BOX
12 VDC	25 pcs (net weight: 0.39 kg)	75 pcs (net weight: 1.22 kg)	675 pcs (net weight: 11.20 kg)
24 VDC	60 pcs (net weight: 0.75 kg)	60 pcs (net weight: 0.77 kg)	540 pcs (net weight: 7.2 kg)

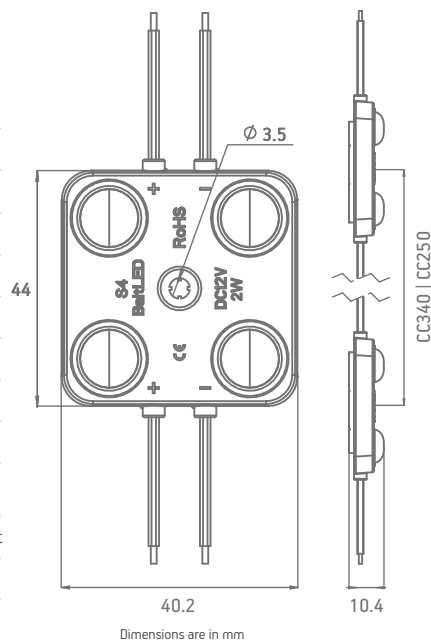


STELLAR-4

GENERAL SPECIFICATIONS

SUPPLY VOLTAGE	12 VDC 24 VDC
POWER	1.4; 2 W
RECOMMENDED DEPTH	From 140 to 300 mm
CC DISTANCE	340 mm 250 mm
BINNING	3 SDCM
OPERATING TEMPERATURE	-30 °C ~ +60 °C
STORAGE TEMPERATURE	+5 °C ~ +50 °C
STORAGE CONDITIONS	Relative humidity <60%
LIFETIME	L70 100,000 h (6500K) L70 50,000 h (other colors)
CERTIFICATION	CE, UKCA, RoHS and UL compliant
WARRANTY	5 years (24/7)*

*Warranty is applied only and if storage, mounting and maintenance conditions, stated in the installation guide, are followed.



Dimensions are in mm



APPLICATION

ORDERING INFORMATION

SKU	SUPPLY VOLTAGE	CC DISTANCE	POWER, W	LUMEN OUTPUT, LM	COLOUR/CCT
BMP-S4-04UH160CW700	12 VDC	340 mm	2.0	237	6500 K
BMP-S4-04UH160CW700-24V	24 VDC	250 mm	1.4	161	6500 K



Best for 140 - 300 mm

PACKAGING INFORMATION

	CHAIN	BAG	BOX
12 VDC	20 pcs (net weight: 0.46 kg)	60 pcs (net weight: 1.42 kg)	420 pcs (net weight: 10.20 kg)
	50 pcs (net weight: 0.96 kg)	50 pcs (net weight: 0.98 kg)	350 pcs (net weight: 7.10 kg)



YEARS
WARRANTY

MINI MODULES FOR SMALL CHANNEL & ACRYLIC BLOCK LETTERS



CENTRE-TO-CENTRE DISTANCE, mm

DEPTH WIDTH	20	30	40	50	60
20	40	50	70	85	85
40	30	50	70	85	85
60	30	45	60	85	85
80		40	60	85	85
100				85	85

! Distances provided are based on testing in a lightbox with PLEXIGLAS® XT White WN070 GT, translucency 30.0%. These are only recommendations and may vary based on application, cover material and other factors. For precise project calculation please contact us at projects@baltled.com

5
YEARS
WARRANTYmm
20 - 60

160°

6500 K

28 lm

0.3 W

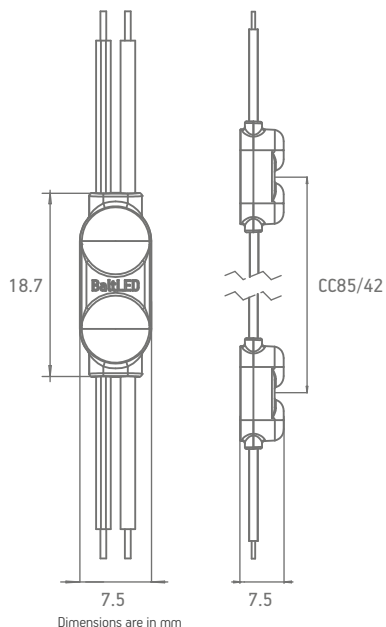
IP 66

L70
50 000 h

GENERAL SPECIFICATIONS

SUPPLY VOLTAGE	12 VDC
POWER	0.3 W
RECOMMENDED DEPTH	From 20 to 60 mm
CC DISTANCE	85 mm, 42 mm
BINNING	3 SDCM
OPERATING TEMPERATURE	-30 °C ~ +50 °C
STORAGE TEMPERATURE	+5 °C ~ +70 °C
STORAGE CONDITIONS	Relative humidity <60%
LIFETIME	L70 50,000 h (white)
CERTIFICATION	CE, UKCA and RoHS compliant
WARRANTY	5 years*

*Warranty is applied only and if storage, mounting and maintenance conditions, stated in the installation guide, are followed.



Dimensions are in mm

ORDERING INFORMATION

SKU	CC DISTANCE, MM	POWER, W	LUMEN OUTPUT, LM	COLOUR / CCT
BMP-5M-02UH160CW70	85	0.3	28	6500 ± 250 K
BMP-5M-02UH160WW30	85	0.3	27	3000 ± 200 K
BMP-5M-02UH160CW70CC	42	0.3	28	6500 ± 250 K
BMP-5M-02UH160WW30CC	42	0.3	27	3000 ± 200 K

PACKAGING INFORMATION

CHAIN	BAG	BOX
50 pcs (net weight: 0.076 kg)	100 pcs (net weight: 0.162 kg)	2000 pcs (net weight: 3.300kg)


MINI



APPLICATION

A

Best for 20 - 60 mm



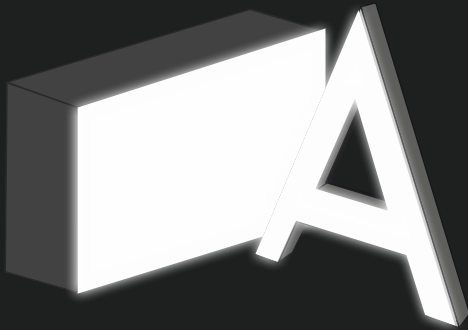
OTHER SOLUTIONS FOR
SINGLE-SIDED APPLICATIONS



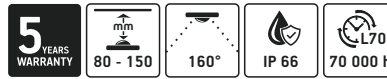
BASE-3



APPLICATION



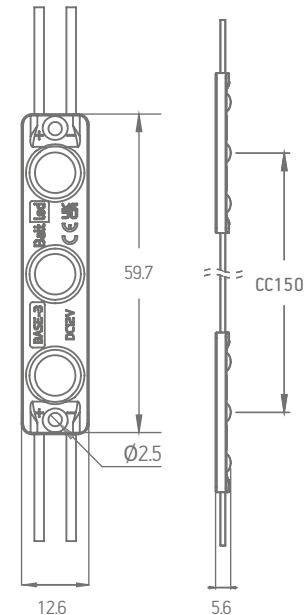
Best for 80 - 150 mm



GENERAL SPECIFICATIONS

SUPPLY VOLTAGE	12 VDC
POWER	0.72 W 0.96 W 1.2 W
RECOMMENDED DEPTH	From 80 to 150 mm
CC DISTANCE	150 mm
OPERATING TEMPERATURE	-20 °C ~ +50 °C
STORAGE TEMPERATURE	-30 °C ~ +60 °C
STORAGE CONDITIONS	Relative humidity <60%
LIFETIME	L70 70,000 h
CERTIFICATION	CE, UKCA, RoHS and UL compliant
WARRANTY	5 years*

* Warranty is applied only and if storage, mounting and maintenance conditions, stated in the installation guide, are followed.



Dimensions are in mm

ORDERING INFORMATION

VERSION	SKU	POWER, W	LUMEN OUTPUT, LM	COLOUR / CCT
Standard	BMP-S3-03UH160CW072-B3	0.72	72	7000 K - 7500 K
	BMP-S3-03UH160CW120-B3	1.2	138	7000 K - 7500 K
High-efficacy	BMP-S3-03UH160CW096-B3	0.96	144	6500 K - 7000 K

PACKAGING INFORMATION

CHAIN	BAG	BOX
20 pcs (0.132 kg)	100 pcs (0.70 kg)	1400 pcs (9.5 kg)

5 YEARS WARRANTY

60 - 150

160°

RGB | RGBW

29 lm

0.72 W

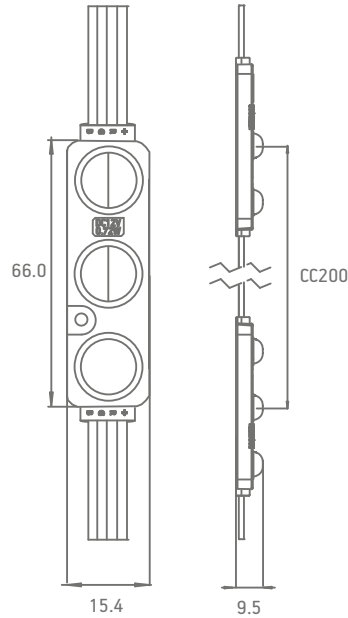
IP 65

L70 50 000 h

GENERAL SPECIFICATIONS

SUPPLY VOLTAGE	12 VDC
POWER	0.72 W
RECOMMENDED DEPTH	From 60 to 150 mm
CC DISTANCE	200 mm
OPERATING TEMPERATURE	-25 °C ~ +55 °C
STORAGE TEMPERATURE	-40 °C ~ +85 °C
STORAGE CONDITIONS	Relative humidity <60%
LIFETIME	L70 50,000 h
CERTIFICATION	CE, UKCA and RoHS compliant
WARRANTY	5 years*

* Warranty is applied only and if storage, mounting and maintenance conditions, stated in the installation guide, are followed.



Dimensions are in mm

ORDERING INFORMATION

SKU	POWER, W	LUMEN OUTPUT, LM	COLOUR / CCT
BMOP-RGB-LE3A160E072	0.72	29	RGB
BMOP-RGBW-LE3A160E072	0.72	49	RGBW

PACKAGING INFORMATION

CHAIN	BAG	BOX
20 pcs (0.34 kg)	100 pcs (1.70 kg)	600 pcs (10.5 kg)

RGB SERIES



APPLICATION

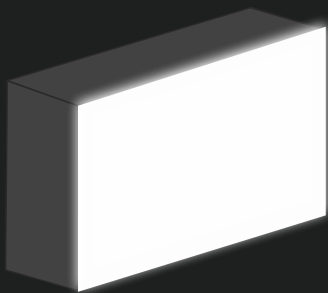


Best for 60 - 150 mm

BACKLIT LED BAR



APPLICATION



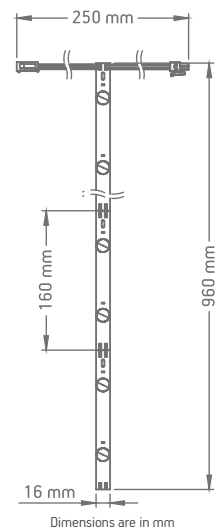
Best for **50 - 80 mm**



GENERAL SPECIFICATIONS

SUPPLY VOLTAGE	24 VDC
POWER	10 W
RECOMMENDED DEPTH	From 50 to 80 mm
OPERATING TEMPERATURE	-30 °C ~ +50 °C
STORAGE TEMPERATURE	+5 °C ~ +70 °C
STORAGE CONDITIONS	Relative humidity <60%
LIFETIME	L80 50,000 h
CERTIFICATION	UKCA, CE and RoHS compliant
WARRANTY	5 years*

*Warranty is applied only and if storage, mounting and maintenance conditions, stated in the installation guide, are followed.



Dimensions are in mm

ORDERING INFORMATION

SKU	IP CLASS	POWER, W	LUMEN OUTPUT, LM	COLOUR
BLBP-1000A170865110	IP20	10.0	1273	6500 K
BLBP-DKIT	Additional connector kit			

PACKAGING INFORMATION

SKU	PCS. per BOX	WEIGHT per	
		BOX, KG	PCS, KG
BLBP-1000A170865110	200	14	0.07 kg



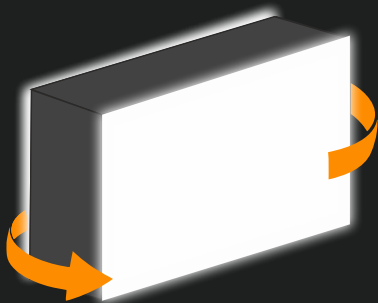
**SOLUTIONS FOR DOUBLE-SIDED
AND OTHER APPLICATIONS**



DUO-1



APPLICATION



Best for 80 - 160 mm

5 YEARS WARRANTY

mm
80-160

18x50°

6500 K

130 lm

1.4 W

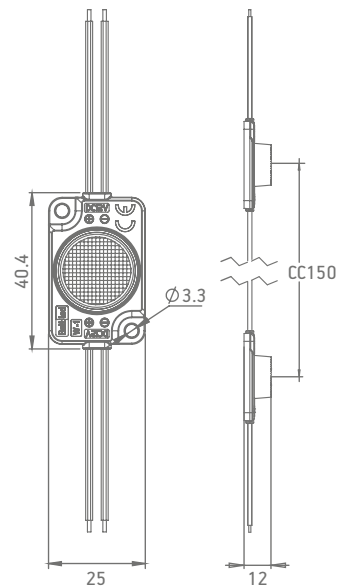
IP 66

L80
50 000 h

GENERAL SPECIFICATIONS

SUPPLY VOLTAGE	12 VDC
POWER	1.4 W
RECOMMENDED DEPTH	From 80 to 160 mm
CC DISTANCE	150 mm
OPERATING TEMPERATURE	-20 °C ~ +50 °C
STORAGE TEMPERATURE	-30 °C ~ +60 °C
STORAGE CONDITIONS	Relative humidity <60%
CERTIFICATION	CE, UKCA and RoHS compliant
LIFETIME	L80 50,000 h
WARRANTY	5 years*

*Warranty is applied only and if storage, mounting and maintenance conditions, stated in the installation guide, are followed.



Dimensions are in mm

ORDERING INFORMATION

SKU	POWER, W	LUMEN OUTPUT, LM	COLOUR / CCT
BMP-W1-DS865E1.4	1.4	130	6500 K
BMP-W1-DS840E1.4	1.4	130	4000 K
BMP-W1-DS830E1.4	1.4	118	3000 K

PACKAGING INFORMATION

CHAIN	BAG	BOX
30 pcs (net weight: ~0.30 kg)	90 pcs (net weight: ~0.90 kg)	630 pcs (net weight: ~6.50 kg)

5
YEARS
WARRANTYmm
140-250

15x45°

6500 K

300 lm

3.6 W

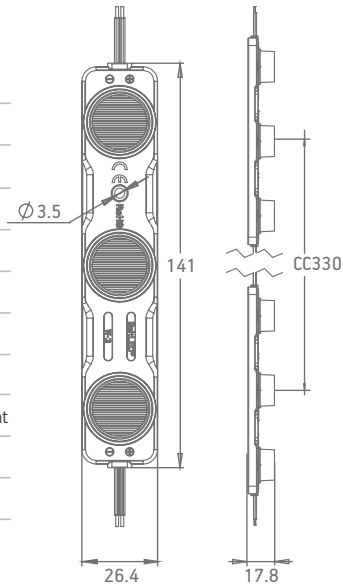
IP 66

L80
50 000 h

GENERAL SPECIFICATIONS

SUPPLY VOLTAGE	24 VDC
POWER	3.6 W
RECOMMENDED DEPTH	From 140 to 250 mm
CC DISTANCE	330 mm
OPERATING TEMPERATURE	-20 °C ~ +50 °C
STORAGE TEMPERATURE	-30 °C ~ +60 °C
STORAGE CONDITIONS	Relative humidity <60%
CERTIFICATION	CE, UKCA, RoHS and UL compliant
LIFETIME	L80 50,000 h
WARRANTY	5 years*

*Warranty is applied only and if storage, mounting and maintenance conditions, stated in the installation guide, are followed.



Dimensions are in mm

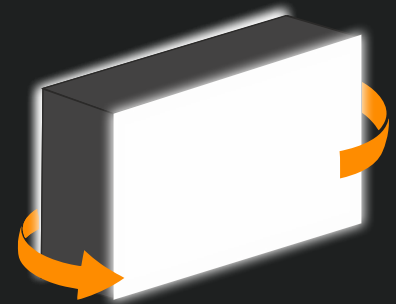
ORDERING INFORMATION

SKU	POWER, W	LUMEN OUTPUT, LM	COLOUR / CCT
BMP-W3-DS865E3.6	3.6	300	6500 K

DUO-3



APPLICATION



Best for 140 - 250 mm

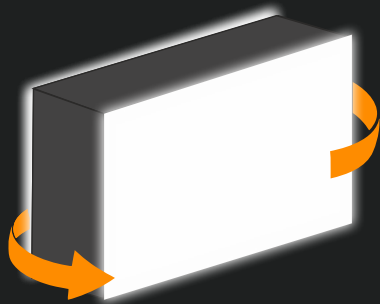
PACKAGING INFORMATION

CHAIN	BAG	BOX
10 pcs (net weight: ~0.55 kg)	20 pcs (net weight: ~1.12 kg)	160 pcs (net weight: ~9.1 kg)

CROWN DUO STAR



APPLICATION



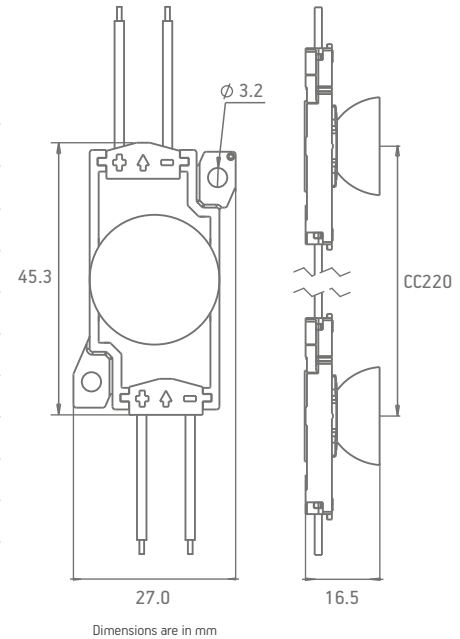
Best for 140 - 200 mm



GENERAL SPECIFICATIONS

SUPPLY VOLTAGE	700 mA
POWER	2.1 w
RECOMMENDED DEPTH	From 140 to 200 mm
CC DISTANCE	220 mm
OPERATING TEMPERATURE	-35 °C ~ +50 °C
STORAGE TEMPERATURE	+5 °C ~ +90 °C
STORAGE CONDITIONS	Relative humidity <60%
CERTIFICATION	CE, RoHS compliant
LIFETIME	L70 60,000 h
WARRANTY	5 years*

*Warranty is applied only and if storage, mounting and maintenance conditions, stated in the installation guide, are followed.



ORDERING INFORMATION

SKU	POWER, W	LUMEN OUTPUT, LM	COLOUR / CCT
BMP-S52.3-01EX0ELW1	2.1	260	6500 K

PACKAGING INFORMATION

CHAIN		BAG		BOX	
15 pcs	(net weight: 0.193 kg)	30 pcs	(net weight: 0.689 kg)	300 pcs	(net weight: 7.900 kg)

5
YEARS
WARRANTYmm
100 - 250

15x45°

6500 K

2250 lm

30 W

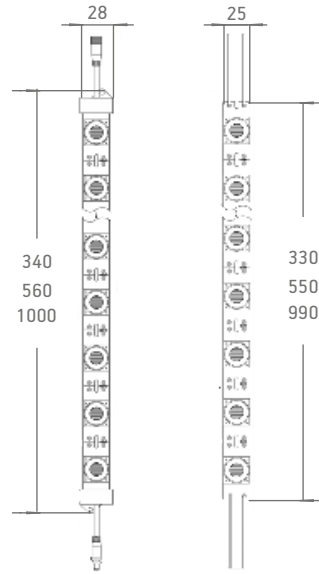
IP 67

L70
50 000 h

GENERAL SPECIFICATIONS

SUPPLY VOLTAGE	24 VDC
POWER	10 W 17 W 30 W
RECOMMENDED DEPTH	From 100 to 250 mm
OPERATING TEMPERATURE	-30 °C ~ +50 °C
STORAGE TEMPERATURE	+5 °C ~ +70 °C
STORAGE CONDITIONS	Relative humidity <60%
LIFETIME	L70 50,000 h
CERTIFICATION	CE and RoHS compliant
WARRANTY	5 years*

*Warranty is applied only and if storage, mounting and maintenance conditions, stated in the installation guide, are followed.



IP67

IP20

Dimensions are in mm

ORDERING INFORMATION

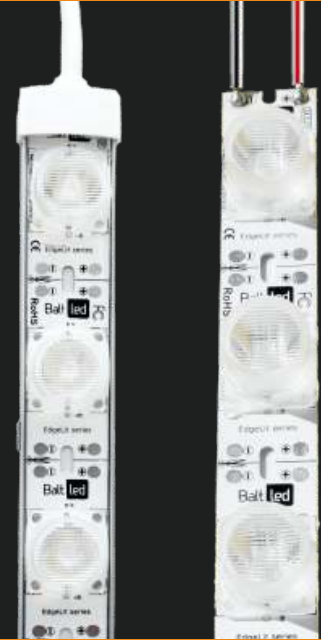
SKU	IP CLASS	POWER, W	LUMEN OUTPUT, LM	COLOUR
BLBP-340A15x4565E10	IP67	10.0	750	6500 K
BLBP-560A15x4565E17	IP67	17.0	1275	6500 K
BLBP-1000A15x4565E30	IP67	30.0	2250	6500 K
BLBP-330A15x4565I10	IP20	10.0	750	6500 K
BLBP-550A15x4565I17	IP20	17.0	1275	6500 K
BLBP-990A15x4565I30	IP20	30.0	2250	6500 K
BLBP-CKIT	Additional connector kit			

* For precise lead time, contact your Customer Service manager.

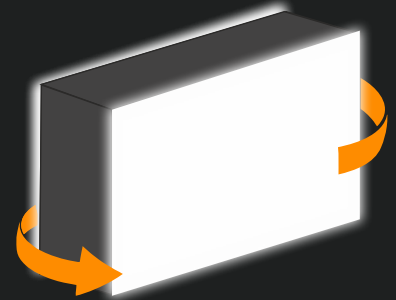
PACKAGING INFORMATION

SKU	QTY/BOX
BLBP-340A15x4565E10	40 pcs
BLBP-560A15x4565E17	40 pcs
BLBP-1000A15x4565E30	40 pcs
BLBP-330A15x4565I10	100 pcs
BLBP-550A15x4565I17	60 pcs
BLBP-990A15x4565I30	100 pcs

EDGELIT LED BAR



APPLICATION



Best for 100 - 250 mm

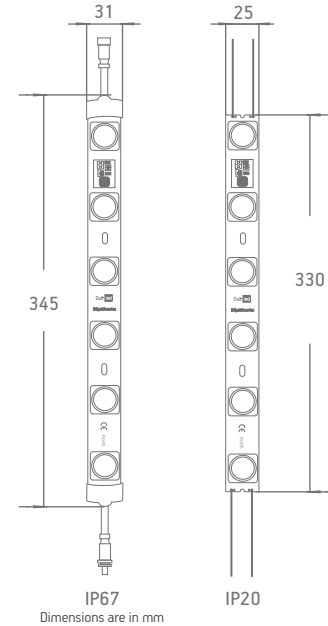
EDGELIT SLIM LED RIGID BAR



GENERAL SPECIFICATIONS

SUPPLY VOLTAGE	24 VDC
POWER	12.2 W
RECOMMENDED DEPTH	From 40 to 80 mm
OPERATING TEMPERATURE	-30 °C ~ +50 °C
STORAGE TEMPERATURE	+5 °C ~ +70 °C
STORAGE CONDITIONS	Relative humidity <60%
LIFETIME	L70 50,000 h
CERTIFICATION	CE and RoHS compliant
WARRANTY	5 years*

*Warranty is applied only and if storage, mounting and maintenance conditions, stated in the installation guide, are followed.



ORDERING INFORMATION

SKU	IP CLASS	POWER, W	LUMEN OUTPUT, LM	COLOUR
BLBP-340A10x3065E12	IP67	12.2	1500	6500 K
BLBP-340A10x3040E12	IP67	12.2	1415	4000 K
BLBP-340A10x3030E12	IP67	12.2	1400	3000 K
BLBP-340A10x3065I12	IP20	12.2	1500	6500 K
BLBP-340A10x3040I12	IP20	12.2	1415	4000 K
BLBP-340A10x3030I12	IP20	12.2	1400	3000 K
BLBP-CKIT	Additional connector kit			

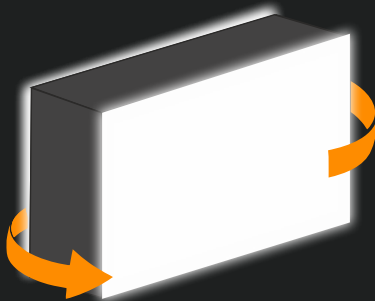
* For precise lead time, contact your Customer Service manager.

PACKAGING INFORMATION

SKU	WEIGHT	QTY/BOX	WEIGHT/BOX
BLBP-340A10x3065E12	0.165 kg	40 pcs	44.7 kg
BLBP-340A10x3040E12	0.165 kg	40 pcs	44.7 kg
BLBP-340A10x3030E12	0.165 kg	40 pcs	44.7 kg
BLBP-340A10x3065I12	0.0745 kg	80 pcs	20.55 kg
BLBP-340A10x3040I12	0.0745 kg	80 pcs	20.55 kg
BLBP-340A10x3030I12	0.0745 kg	80 pcs	20.55 kg



APPLICATION



Best for 40 - 80 mm

5
YEARS
WARRANTY

120°

IP20

L80
60 000 h

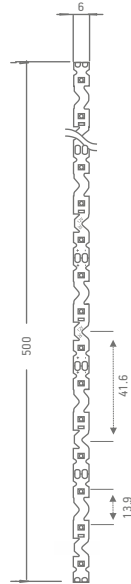
7.2 W

GENERAL SPECIFICATIONS

SUPPLY VOLTAGE	12 VDC
POWER	7.2 W
LEDs PER METER	72
CUTTING STEP	41.6 mm
OPERATING TEMPERATURE	-20 °C ~ +45 °C
STORAGE TEMPERATURE	+5 °C ~ +70 °C
LIFETIME	L80 60,000 h
CERTIFICATION	CE, RoHS
WARRANTY	5 years*

*Warranty is applied only and if storage, mounting and maintenance conditions, stated in the installation guide, are followed.

Dimensions are in mm

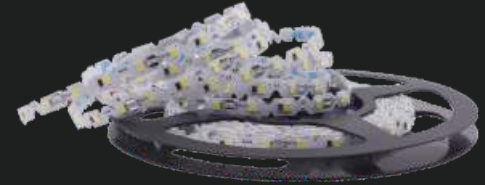


ORDERING INFORMATION

SKU	LEDs per METER, W	CUTTING STEP, MM	COLOUR	POWER per METER, W	LUMEN OUTPUT, LM
BLSP-ZZ-LE72830I7.2	72	125	3000 K	7.2	814
BLSP-ZZ-LE72865I7.2	72	125	6500 K	7.2	864

* For precise lead time, contact your Customer Service manager.

LINELIT ZIGZAG LED STRIPS



APPLICATION

- Aluminium profiles
- Advertisement boxes
- Signs
- General lighting
- Automotive accents
- Accent decor

PACKAGING INFORMATION

	power	m/reel	reels/box	LENGTH per WEIGHT per	
				BOX, M	BOX, kg
IP20	7.2 W	5	50	250	5
	7.2 W	5	50	250	5

LINELIT LED STRIPS



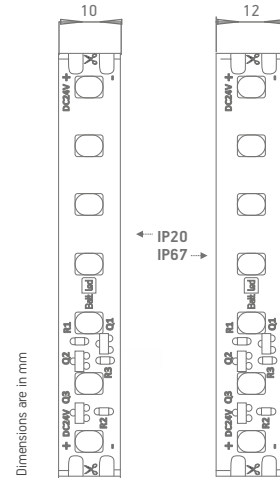
APPLICATION

- Aluminium profiles
- Side lighting
- Signs
- General lighting
- Office lighting

GENERAL SPECIFICATIONS

SUPPLY VOLTAGE	24 VDC
POWER	10 W
LEDs PER METER	112
CUTTING STEP	62.5 mm
OPERATING TEMPERATURE	-20 °C ~ +60 °C
STORAGE TEMPERATURE	+5 °C ~ +70 °C
LIFETIME	L80 75,000 h
CERTIFICATION	CE, RoHS and UL compliant
WARRANTY	5 years*

*Warranty is applied only and if storage, mounting and maintenance conditions, stated in the installation guide, are followed.



DIRECT CONNECTION



IP20 | 112 LEDs

IP67 | 112 LEDs

ORDERING INFORMATION

SKU	LEDs per METER, W	CUTTING STEP, MM	COLOUR	POWER per METER, W	LUMEN OUTPUT, LM
BLSP-LE112830I10	112	62.5	3000 K	10.0	1348
BLSP-LE112865I10	112	62.5	6500 K	10.0	1424
BLSP-LE112830E10	112	62.5	3000 K	10.0	1237
BLSP-LE112865E10	112	62.5	6500 K	10.0	1307

* For precise lead time, contact your Customer Service manager.

PACKAGING INFORMATION

SKU	METERS per REEL	REELS per BOX	LENGTH per BOX, m	WIEGHT per BOX, kg
IP20	10	82	820	14.1
IP67	5	20	100	9.7

5 YEARS WARRANTY

IP 67

L70 50 000 h

GENERAL SPECIFICATIONS

SUPPLY VOLTAGE	220 VAC 24 VDC
POWER FACTOR	> 0.90
EFFICIENCY	138 lm/W - 148 lm/W
CCT	6500 ± 250 K 4000 ± 250 K
CRI	80
BEAM ANGLE	2 x 160° 2 x 180°
IP CLASS	IP67
RECOMMENDED DEPTH	From 140 to 400 mm
OPERATING TEMPERATURE	-20 °C ~ +40 °C
STORAGE TEMPERATURE	-40 °C ~ +80 °C
STORAGE CONDITIONS	Relative humidity <60%
LIFETIME	L70 50,000 h
MOUNTING OPTIONS	G13 socket double plug, top two sides plug
CERTIFICATION	CE and RoHS compliant
WARRANTY	5 years*

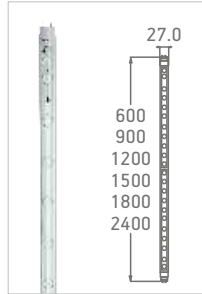
*Warranty is applied only and if storage, mounting and maintenance conditions, stated in the installation guide, are followed.

ORDERING INFORMATION

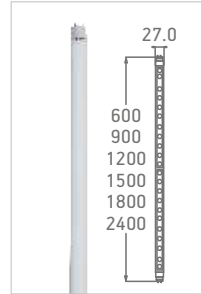
RETROFIT TUBES

SKU	LENGTH, MM	CCT	COVER TYPE	CONNECTOR	VOLTAGE	POWER	LUMEN OUTPUT, LM
BTBP-T8C-060A320865E10-DP24V	600	6500 K	clear	double plug, top	24 V	10 W	1430
BTBP-T8C-060A320865E10-DP	600	6500 K	clear	double plug, top	220 V	10 W	1480
BTBP-T8C-060A320865E10-TSP24V	600	6500 K	clear	two sides plug	24 V	10 W	1430
BTBP-T8C-060A320865E10-TSP	600	6500 K	clear	two sides plug	220 V	10 W	1480
BTBP-T8C-060A320865E10-G13	600	6500 K	clear	G13	220 V	10 W	1480
BTBP-T8M-060A360840E10-G13	600	4000 K	milky	G13	220 V	10 W	1380
BTBP-T8C-090A320865E12-DP24V	900	6500 K	clear	double plug, top	24 V	12 W	1716
BTBP-T8C-090A320865E12-DP	900	6500 K	clear	double plug, top	220 V	12 W	1776
BTBP-T8C-090A320865E12-TSP24V	900	6500 K	clear	two sides plug	24 V	12 W	1716
BTBP-T8C-090A320865E12-TSP	900	6500 K	clear	two sides plug	220 V	12 W	1776
BTBP-T8C-090A320865E12-G13	900	6500 K	clear	G13	220 V	12 W	1776
BTBP-T8M-090A360840E14-G13	900	4000 K	milky	G13	220 V	14 W	1932

DIRECT CONNECTION

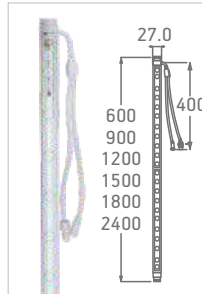


G13 socket | CLEAR COVER

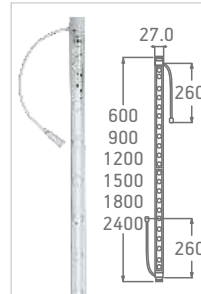


G13 socket | MILKY COVER

INDIRECT CONNECTION | end cap needed



Top double plug, top | CLEAR COVER



Two sides plug | CLEAR COVER

RETROFIT TUBES



APPLICATION

- Street furniture applications
- T8 replacement
- Outdoor conditions
- Recommended depth 140 – 400 mm

PACKAGING INFORMATION

TUBE LENGTH	QTY/BOX
600 mm (0.252 kg)	25 pcs (6.3 kg)
900 mm (0.380 kg)	25 pcs (9.5 kg)
1200 mm (0.480 kg)	25 pcs (12.0 kg)
1500 mm (0.572 kg)	25 pcs (14.3 kg)
1800 mm (0.720 kg)	25 pcs (18.0 kg)
2400 mm (0.940 kg)	25 pcs (24.0 kg)

ORDERING INFORMATION

RETROFIT TUBES

SKU	LENGTH, MM	CCT	COVER TYPE	CONNECTOR	VOLTAGE	POWER	LUMEN OUTPUT, LM
BTBP-T8C-120A320865E18-DP24V	1200	6500 K	clear	double plug, top	24 V	18 W	2574
BTBP-T8C-120A3208650E18-DP	1200	6500 K	clear	double plug, top	220 V	18 W	2664
BTBP-T8C-120A320865E18-TSP24V	1200	6500 K	clear	two sides plug	24 V	18 W	2574
BTBP-T8C-120A320865E18-TSP	1200	6500 K	clear	two sides plug	220 V	18 W	2664
BTBP-T8C-120A320865E18-G13	1200	6500 K	clear	G13	220 V	18 W	2664
BTBP-T8M-120A360840E20-G13	1200	4000 K	milky	G13	220 V	20 W	2766
BTBP-T8C-150A320865E20-DP24V	1500	6500 K	clear	double plug, top	24 V	20 W	2866
BTBP-T8C-150A320865E20-DP	1500	6500 K	clear	double plug, top	220 V	20 W	2960
BTBP-T8C-150A320865E20-TSP24V	1500	6500 K	clear	two sides plug	24 V	20 W	2866
BTBP-T8C-150A320865E20-TSP	1500	6500 K	clear	two sides plug	220 V	20 W	2960
BTBP-T8C-150A320865E20-G13	1500	6500 K	clear	G13	220 V	20 W	2960
BTBP-T8M-150A360840E22-G13	1500	4000 K	milky	G13	220 V	22 W	3036
BTBP-T8C-180A320865E28-DP24V	1800	6500 K	clear	double plug, top	24 V	28 W	4004
BTBP-T8C-180A320865E30-DP	1800	6500 K	clear	double plug, top	220 V	30 W	4440
BTBP-T8C-180A320865E28-TSP24V	1800	6500 K	clear	two sides plug	24 V	28 W	4004
BTBP-T8C-180A320865E30-TSP	1800	6500 K	clear	two sides plug	220 V	30 W	4440
BTBP-T8C-180A320865E28-G13	1800	6500 K	clear	G13	220 V	28 W	4144
BTBP-T8M-180A360840E32-G13	1800	4000 K	milky	G13	220 V	32 W	4416
BTBP-T8C-240A320865E40-DP24V	2400	6500 K	clear	double plug, top	24 V	40 W	5720
BTBP-T8C-240A320865E40-DP	2400	6500 K	clear	double plug, top	220 V	40 W	5920
BTBP-T8C-240A320865E40-TSP24V	2400	6500 K	clear	two sides plug	24 V	40 W	5720
BTBP-T8C-240A320865E40-TSP	2400	6500 K	clear	two sides plug	220 V	40 W	5920
BTBP-T8C-240A320865E40-G13	2400	6500 K	clear	G13	220 V	40 W	5920
BTBP-T8M-240A360840E42-G13	2400	4000 K	milky	G13	220 V	40 W	5796

ACCESSORIES

SKU	DESCRIPTION
BTB-RTF-AKIT	Nozzle
BTB-RTF-BKIT	End cap
BTB-RTF-CKIT	AC cable
BTB-RTF-DKIT	DC cable



NOZZLE



END CAP



AC / DC CABLE

ACCESSORY KIT

SKU	NOZZLES	END CAPS	FEMALE EXTENSION CABLE	CABLE TYPE LENGTH, MM
BTB-RTF-AKIT	1 pc	10 psc	1 pc	AC 500
BTB-RTF-BKIT	2 pcs	25 pcs	2 pcs	AC 500
BTB-RTF-CKIT	2 pcs	25 pcs	2 pcs	DC 500
BTB-RTF-DKIT	1 pc	10 psc	1 pc	DC 800
BTB-RTF-EKIT	1 pc	10 psc	1 pc	AC 800

NEW!

**SIGNBRIDGE DIMMABLE
POWER SUPPLIES**



SIGNBRIDGE PLUS



Dimmable 150 W LED driver.
Model: BPSP-150-12V.1-B



CONFORMITY & STANDARDS

EMC Emission:

- compliance to EN55015

EMC Immunity:

- EN55015
- EN61547
- EN61000-3-2
- EN61000-3-3
- CB

CE-LVD:

- IEC/EN61347-1
- IEC/EN61347-2-13

GENERAL SPECIFICATIONS

EFFICIENCY	≥92% (230 VAC)
TURN ON DELAY	≤3000mS (230 VAC)
OPERATING CONDITIONS	-40°C ~ +45°C; 20 ~ 95% humidity
STORAGE CONDITIONS	-40 °C ~ +80 °C; 10 ~ 95% humidity
IP CLASS	IP 68
PROTECTIONS INCLUDED	Over current Short circuit Over voltage Over temperature
WARRANTY	5 years, ≥50 000 h

INPUT

INPUT VOLTAGE RANGE	100 - 240 VAC, (50 - 60 Hz)
MAX INPUT AC CURRENT	2.1 A Max
MAX INRUSH CURRENT	≤70 A (100-277 VAC)
POWER FACTOR	≥0.95 (230 VAC)

OUTPUT

OUTPUT CURRENT	12.5 A
OUTPUT VOLTAGE	12 V DC
MAX OUTPUT POWER	150 W

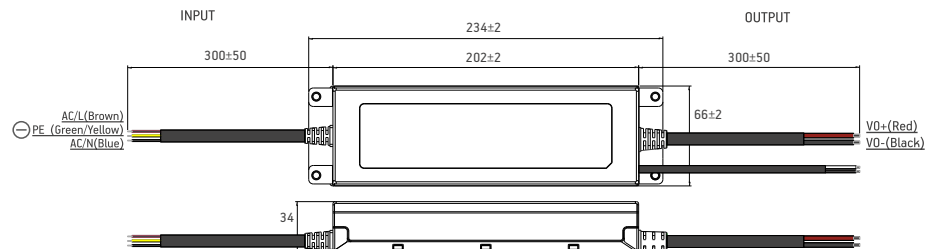
QUANTITY OF DRIVERS PER CIRCUIT BREAKER

CIRCUIT BREAKER OF TYPE C 16 A	3 units (at 230 VAC)
CIRCUIT BREAKER OF TYPE C 25 A	8 units (at 230 VAC)

ORDERING INFORMATION

SKU	UNIT NET WEIGHT, G	UNIT DIMENSIONS, MM
BPSP-150-12V.1-B	916	202 x 66 x 34

DIMENSIONS





SIGNBRIDGE PLUS

Dimmable 150 W LED driver.
Model: BPSP-150-24V.1-B



GENERAL SPECIFICATIONS

EFFICIENCY	≥92% (230 VAC)
TURN ON DELAY	≤3000mS (230 VAC)
OPERATING CONDITIONS	-40°C ~ +45°C; 20 ~ 95% humidity
STORAGE CONDITIONS	-40 °C ~ +80 °C; 10 ~ 95% humidity
IP CLASS	IP 68
PROTECTIONS INCLUDED	Over current Short circuit Over voltage Over temperature
WARRANTY	5 years, ≥50 000 h

INPUT

INPUT VOLTAGE RANGE	100 - 240 VAC, (50 - 60 Hz)
MAX INPUT AC CURRENT	2.1 A Max
MAX INRUSH CURRENT	≤70 A (100-277 VAC)
POWER FACTOR	≥0.95 (230 VAC)

OUTPUT

OUTPUT CURRENT	6.25 A
OUTPUT VOLTAGE	24 V DC
MAX OUTPUT POWER	150 W

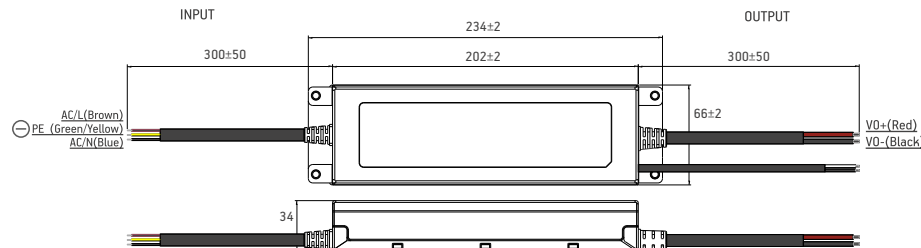
QUANTITY OF DRIVERS PER CIRCUIT BREAKER

CIRCUIT BREAKER OF TYPE C 16 A	3 units (at 230 VAC)
CIRCUIT BREAKER OF TYPE C 25 A	8 units (at 230 VAC)

ORDERING INFORMATION

SKU	UNIT NET WEIGHT, G	UNIT DIMENSIONS, MM
BPSP-150-24V.1-B	916	202 x 66 x 34

DIMENSIONS



CONFORMITY & STANDARDS

EMC Emission:

- compliance to EN55015

EMC Immunity:

- EN55015
- EN61547
- EN61000-3-2
- EN61000-3-3
- CB

CE-LVD:

- IEC/EN61347-1
- IEC/EN61347-2-13

SIGNBRIDGE PLUS

Dimmable 150 W LED driver.
Model: BPS-150-48V.1-B



CONFORMITY & STANDARDS

EMC Emission:

- compliance to EN55015

EMC Immunity:

- EN55015
- EN61547
- EN61000-3-2
- EN61000-3-3
- CB

CE-LVD:

- IEC/EN61347-1
- IEC/EN61347-2-13



GENERAL SPECIFICATIONS

EFFICIENCY	≥92% (230 VAC)
TURN ON DELAY	≤3000mS (230 VAC)
OPERATING CONDITIONS	-40°C ~ +45°C; 20 ~ 95% humidity
STORAGE CONDITIONS	-40 °C ~ +80 °C; 10 ~ 95% humidity
IP CLASS	IP 68
PROTECTIONS INCLUDED	Over current Short circuit Over voltage Over temperature
WARRANTY	5 years, ≥50 000 h

INPUT

INPUT VOLTAGE RANGE	100 - 240 VAC, (50 - 60 Hz)
MAX INPUT AC CURRENT	2.1 A Max
MAX INRUSH CURRENT	≤70 A (100-277 VAC)
POWER FACTOR	≥0.95 (230 VAC)

OUTPUT

OUTPUT CURRENT	3.13 A
OUTPUT VOLTAGE	48 V DC
MAX OUTPUT POWER	150 W

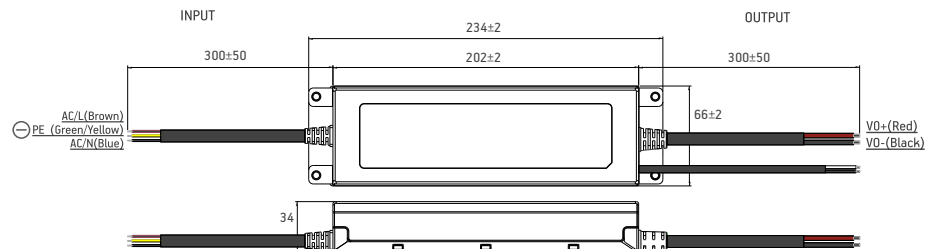
QUANTITY OF DRIVERS PER CIRCUIT BREAKER

CIRCUIT BREAKER OF TYPE C 16 A	3 units (at 230 VAC)
CIRCUIT BREAKER OF TYPE C 25 A	8 units (at 230 VAC)

ORDERING INFORMATION

SKU	UNIT NET WEIGHT, G	UNIT DIMENSIONS, MM
BPS-150-48V.1-B	916	202 x 66 x 34

DIMENSIONS





**SIGNBRIDGE
POWER SUPPLIES**





SIGNBRIDGE PLUS

20 W LED driver. Model: BPSP-20-12V.1

GENERAL SPECIFICATIONS

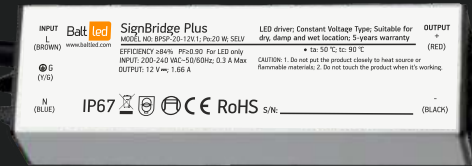
EFFICIENCY	≥84% (230 VAC)
TURN ON DELAY	≤3000mS (230 VAC)
OPERATING CONDITIONS	-20°C ~ +60°C; 20 ~ 95% humidity
STORAGE CONDITIONS	-40 °C ~ +80 °C; 10 ~ 95% humidity
IP CLASS	IP 67
PROTECTIONS INCLUDED	Over current Short circuit Over voltage
WARRANTY	5 years, ≥50 000 h

INPUT

INPUT VOLTAGE RANGE	200 - 240 VAC, (50 - 60 Hz)
MAX INPUT AC CURRENT	0.3 A Max
MAX INRUSH CURRENT	≤30 A (180-264 VAC)
POWER FACTOR	≥0.55 (220 VAC)

OUTPUT

OUTPUT CURRENT	1.66 A
OUTPUT VOLTAGE	12 V DC
MAX OUTPUT POWER	20 W



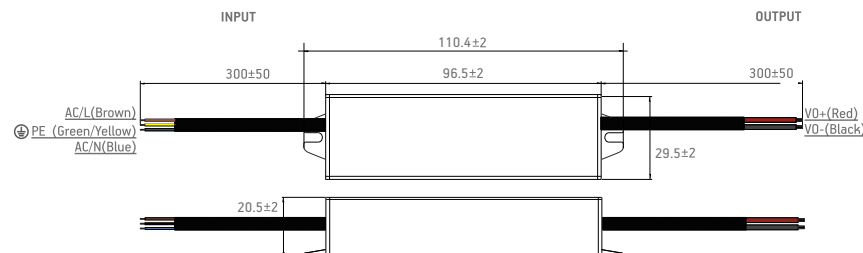
QUANTITY OF DRIVERS PER CIRCUIT BREAKER

CIRCUIT BREAKER OF TYPE B 16 A	35 units (at 230 VAC)
CIRCUIT BREAKER OF TYPE C 16 A	45 units (at 230 VAC)

ORDERING INFORMATION

SKU	UNIT NET WEIGHT, G	UNIT DIMENSIONS, MM
BPSP-20-12V.1	270	110.4 x 29.5 x 20.5

DIMENSIONS



CONFORMITY & STANDARDS

EMC Emission:

- compliance to EN55015

EMC Immunity:

- EN55015
- EN61547
- EN61000-3-2
- EN61000-3-3
- CB

CE-LVD:

- IEC/EN61347-1
- IEC/EN61347-2-13

SIGNBRIDGE PLUS

40 W LED driver. Model: BPSP-40-12V.1



CONFORMITY & STANDARDS

EMC Emission:

- compliance to EN55015

EMC Immunity:

- EN55015
- EN61547
- EN61000-3-2
- EN61000-3-3
- CB

CE-LVD:

- IEC/EN61347-1
- IEC/EN61347-2-13

GENERAL SPECIFICATIONS

EFFICIENCY	≥86% (230 VAC)
TURN ON DELAY	≤3000mS (230 VAC)
OPERATING CONDITIONS	-40°C ~ +60°C; 20 ~ 95% humidity
STORAGE CONDITIONS	-40 °C ~ +80 °C; 10 ~ 95% humidity
IP CLASS	IP 68
PROTECTIONS INCLUDED	Over current Short circuit Over voltage
WARRANTY	5 years, ≥50 000 h

INPUT

INPUT VOLTAGE RANGE	200 - 240 VAC, (50 - 60 Hz)
MAX INPUT AC CURRENT	0.3 A Max
MAX INRUSH CURRENT	≤50 A (100-277 VAC)
POWER FACTOR	≥0.90 (230 VAC)

OUTPUT

OUTPUT CURRENT	3.3 A
OUTPUT VOLTAGE	12 V DC
MAX OUTPUT POWER	40 W

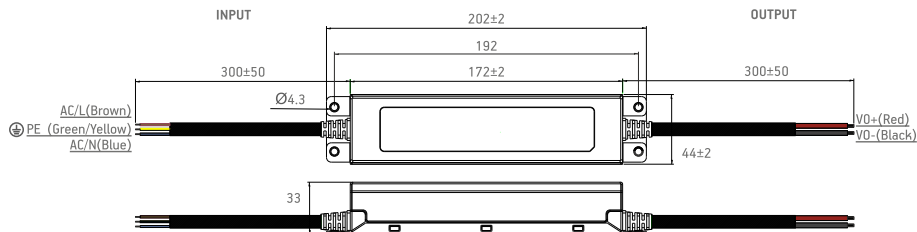
QUANTITY OF DRIVERS PER CIRCUIT BREAKER

CIRCUIT BREAKER OF TYPE C 16 A	28 units (at 230 VAC)
--------------------------------	-----------------------

ORDERING INFORMATION

SKU	UNIT NET WEIGHT, G	UNIT DIMENSIONS, MM
BPSP-40-12V.1	450	172 x 44 x 33

DIMENSIONS





SIGNBRIDGE PLUS

40 W LED driver. Model: BPSP-40-24V.1

GENERAL SPECIFICATIONS

EFFICIENCY	≥86% (230 VAC)
TURN ON DELAY	≤3000mS (230 VAC)
OPERATING CONDITIONS	-40°C ~ +60°C; 20 ~ 95% humidity
STORAGE CONDITIONS	-40 °C ~ +80 °C; 10 ~ 95% humidity
IP CLASS	IP 68
PROTECTIONS INCLUDED	Over current Short circuit Over voltage
WARRANTY	5 years, ≥50 000 h

INPUT

INPUT VOLTAGE RANGE	200 - 240 VAC, (50 - 60 Hz)
MAX INPUT AC CURRENT	0.3 A Max
MAX INRUSH CURRENT	≤50 A (100-277 VAC)
POWER FACTOR	≥0.95 (230 VAC)

OUTPUT

OUTPUT CURRENT	1.67 A
OUTPUT VOLTAGE	24 V DC
MAX OUTPUT POWER	40 W



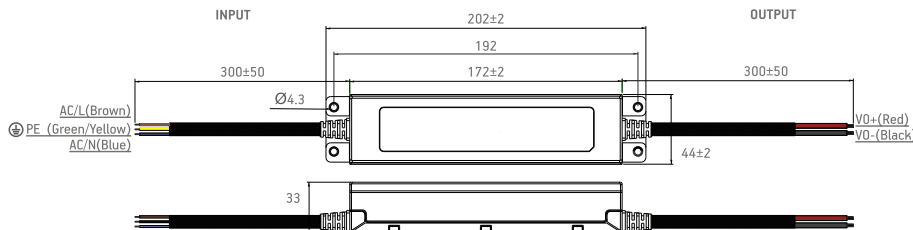
QUANTITY OF DRIVERS PER CIRCUIT BREAKER

CIRCUIT BREAKER OF TYPE C 16 A	28 units (at 230 VAC)
--------------------------------	-----------------------

ORDERING INFORMATION

SKU	UNIT NET WEIGHT, G	UNIT DIMENSIONS, MM
BPSP-40-24V.1	450	172 x 44 x 33

DIMENSIONS



CONFORMITY & STANDARDS

EMC Emission:

- compliance to EN55015

EMC Immunity:

- EN55015
- EN61547
- EN61000-3-2
- EN61000-3-3
- CB

CE-LVD:

- IEC/EN61347-1
- IEC/EN61347-2-13

SIGNBRIDGE PLUS

60 W LED driver. Model: BPSP-60-12V.1



CONFORMITY & STANDARDS

EMC Emission:

- compliance to EN55015

EMC Immunity:

- EN55015
- EN61547
- EN61000-3-2
- EN61000-3-3
- CB
- ENEC

CE-LVD:

- IEC/EN61347-1
- IEC/EN61347-2-13
- UL8750
- UL1310

GENERAL SPECIFICATIONS

EFFICIENCY	≥86% (230 VAC)
TURN ON DELAY	≤3000mS (230 VAC)
OPERATING CONDITIONS	-40°C ~ +55°C; 20 ~ 95% humidity
STORAGE CONDITIONS	-40 °C ~ +80 °C; 10 ~ 95% humidity
IP CLASS	IP 68
PROTECTIONS INCLUDED	Over current Short circuit Over voltage Over temperature
WARRANTY	5 years, ≥50 000 h

INPUT

INPUT VOLTAGE RANGE	200 - 240 VAC, (50 - 60 Hz)
MAX INPUT AC CURRENT	0.5 A Max
MAX INRUSH CURRENT	≤50 A
POWER FACTOR	≥0.90 (230 VAC)

OUTPUT

OUTPUT CURRENT	5 A
OUTPUT VOLTAGE	12 V
MAX OUTPUT POWER	60 W

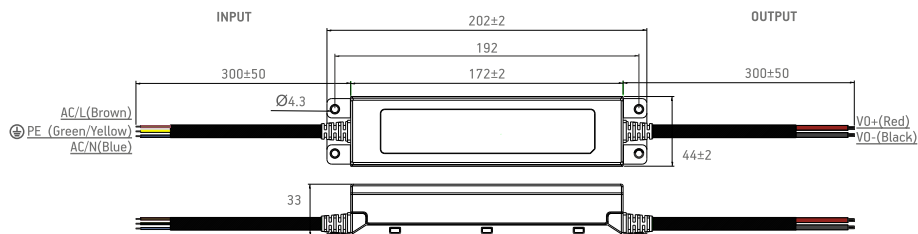
QUANTITY OF DRIVERS PER CIRCUIT BREAKER

CIRCUIT BREAKER OF TYPE C 16 A	5 units (at 230 VAC)
CIRCUIT BREAKER OF TYPE C 25 A	8 units (at 230 VAC)

ORDERING INFORMATION

SKU	UNIT NET WEIGHT, G	UNIT DIMENSIONS, MM
BPSP-60-12V.1	450	172 x 44 x 33

DIMENSIONS





SIGNBRIDGE PLUS

60 W LED driver. Model: BPS-60-24V.1

GENERAL SPECIFICATIONS

EFFICIENCY	≥86% (230 VAC)
TURN ON DELAY	≤3000mS (230 VAC)
OPERATING CONDITIONS	-40°C ~ +55°C; 20 ~ 95% humidity
STORAGE CONDITIONS	-40 °C ~ +80 °C; 10 ~ 95% humidity
IP CLASS	IP 68
PROTECTIONS INCLUDED	Over current Short circuit Over voltage Over temperature
WARRANTY	5 years, ≥50 000 h

INPUT

INPUT VOLTAGE RANGE	200 - 240 VAC, (50 - 60 Hz)
MAX INPUT AC CURRENT	0.5 A Max
MAX INRUSH CURRENT	≤50 A
POWER FACTOR	≥0.95 (230 VAC)

OUTPUT

OUTPUT CURRENT	2.5 A
OUTPUT VOLTAGE	24 V
MAX OUTPUT POWER	60 W



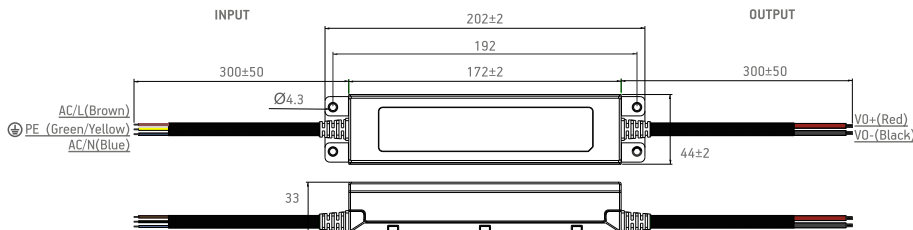
QUANTITY OF DRIVERS PER CIRCUIT BREAKER

CIRCUIT BREAKER OF TYPE C 16 A	5 units (at 230 VAC)
CIRCUIT BREAKER OF TYPE C 25 A	8 units (at 230 VAC)

ORDERING INFORMATION

SKU	UNIT NET WEIGHT, G	UNIT DIMENSIONS, MM
BPS-60-24V.1	450	172 x 44 x 33

DIMENSIONS



CONFORMITY & STANDARDS

EMC Emission:

- compliance to EN55015

EMC Immunity:

- EN55015
- EN61547
- EN61000-3-2
- EN61000-3-3
- CB
- ENEC

CE-LVD:

- IEC/EN61347-1
- IEC/EN61347-2-13
- UL8750
- UL1310

SIGNBRIDGE PLUS

100 W LED driver. Model: BPSP-100-12V.1



CONFORMITY & STANDARDS

EMC Emission:

- compliance to EN55015

EMC Immunity:

- EN55015
- EN61547
- EN61000-3-2
- EN61000-3-3
- CB
- ENEC

CE-LVD:

- IEC/EN61347-1
- IEC/EN61347-2-13
- UL8750
- UL1310

GENERAL SPECIFICATIONS

EFFICIENCY	≥88% (230 VAC)
TURN ON DELAY	≤3000mS (230 VAC)
OPERATING CONDITIONS	-40°C ~ +55°C; 20 ~ 95% humidity
STORAGE CONDITIONS	-40 °C ~ +80 °C; 10 ~ 95% humidity
IP CLASS	IP 68
PROTECTIONS INCLUDED	Over current Short circuit Over voltage Over temperature
WARRANTY	5 years, ≥50 000 h

INPUT

INPUT VOLTAGE RANGE	200 - 240 VAC, (50 - 60 Hz)
MAX INPUT AC CURRENT	0.8 A Max
MAX INRUSH CURRENT	≤80 A
POWER FACTOR	≥0.95 (230 VAC)

OUTPUT

OUTPUT CURRENT	8.33 A
OUTPUT VOLTAGE	12 V
MAX OUTPUT POWER	100 W

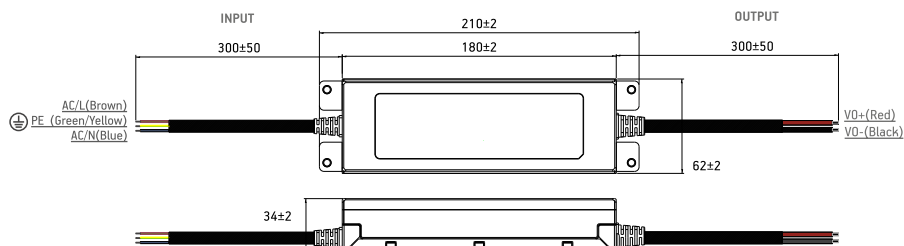
QUANTITY OF DRIVERS PER CIRCUIT BREAKER

CIRCUIT BREAKER OF TYPE C 16 A	3 units (at 230 VAC)
CIRCUIT BREAKER OF TYPE C 25 A	8 units (at 230 VAC)

ORDERING INFORMATION

SKU	UNIT NET WEIGHT, G	UNIT DIMENSIONS, MM
BPSP-100-12V.1	750	180 x 62 x 34

DIMENSIONS





SIGNBRIDGE PLUS

100 W LED driver. Model: BPSP-100-24V.1



GENERAL SPECIFICATIONS

EFFICIENCY	≥88% (230 VAC)
TURN ON DELAY	≤3000mS (230 VAC)
OPERATING CONDITIONS	-40°C ~ +55°C; 20 ~ 95% humidity
STORAGE CONDITIONS	-40 °C ~ +80 °C; 10 ~ 95% humidity
IP CLASS	IP 68
PROTECTIONS INCLUDED	Over current Short circuit Over voltage Over temperature
WARRANTY	5 years, ≥50 000 h

INPUT

INPUT VOLTAGE RANGE	200 - 240 VAC, (50 - 60 Hz)
MAX INPUT AC CURRENT	0.8 A Max
MAX INRUSH CURRENT	≤80 A
POWER FACTOR	≥0.95 (230 VAC)

OUTPUT

OUTPUT CURRENT	4.16 A
OUTPUT VOLTAGE	24 V
MAX OUTPUT POWER	100 W

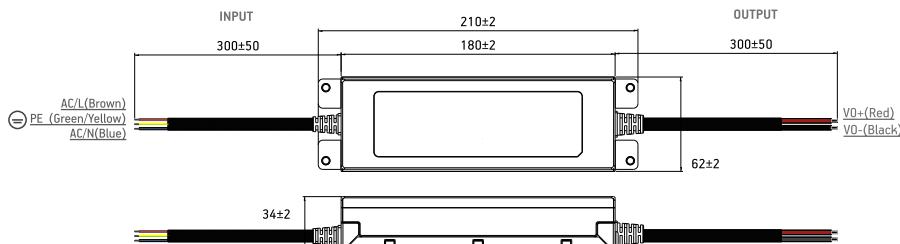
QUANTITY OF DRIVERS PER CIRCUIT BREAKER

CIRCUIT BREAKER OF TYPE C 16 A	3 units (at 230 VAC)
CIRCUIT BREAKER OF TYPE C 25 A	8 units (at 230 VAC)

ORDERING INFORMATION

SKU	UNIT NET WEIGHT, G	UNIT DIMENSIONS, MM
BPSP-100-24V.1	750	180 x 62 x 34

DIMENSIONS



CONFORMITY & STANDARDS

EMC Emission:

- compliance to EN55015

EMC Immunity:

- EN55015
- EN61547
- EN61000-3-2
- EN61000-3-3
- CB
- ENEC

CE-LVD:

- IEC/EN61347-1
- IEC/EN61347-2-13
- UL8750
- UL1310

SIGNBRIDGE PLUS

150 W LED driver. Model: BPSP-150-12V.1



CONFORMITY & STANDARDS

EMC Emission:

- compliance to EN55015

EMC Immunity:

- EN55015
- EN61547
- EN61000-3-2
- EN61000-3-3
- CB
- ENEC

CE-LVD:

- IEC/EN61347-1
- IEC/EN61347-2-13
- UL8750
- UL1310

GENERAL SPECIFICATIONS

EFFICIENCY	≥92% (230 VAC)
TURN ON DELAY	≤3000mS (230 VAC)
OPERATING CONDITIONS	-40°C ~ +45°C; 20 ~ 95% humidity
STORAGE CONDITIONS	-40 °C ~ +80 °C; 10 ~ 95% humidity
IP CLASS	IP 68
PROTECTIONS INCLUDED	Over current Short circuit Over voltage Over temperature
WARRANTY	5 years, ≥50 000 h

INPUT

INPUT VOLTAGE RANGE	200 - 240 VAC, (50 - 60 Hz)
MAX INPUT AC CURRENT	2.1 A Max
MAX INRUSH CURRENT	≤70 A
POWER FACTOR	≥0.95 (230 VAC)

OUTPUT

OUTPUT CURRENT	12.5 A
OUTPUT VOLTAGE	12 V
MAX OUTPUT POWER	150 W

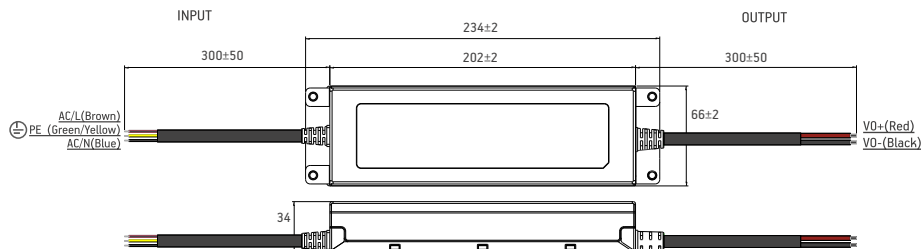
QUANTITY OF DRIVERS PER CIRCUIT BREAKER

CIRCUIT BREAKER OF TYPE C 16 A	3 units (at 230 VAC)
CIRCUIT BREAKER OF TYPE C 25 A	8 units (at 230 VAC)

ORDERING INFORMATION

SKU	UNIT NET WEIGHT, G	UNIT DIMENSIONS, MM
BPSP-150-12V.1	916	202 x 66 x 34

DIMENSIONS





SIGNBRIDGE PLUS

60 W LED driver. Model: BPSP-60-C700.1

GENERAL SPECIFICATIONS

EFFICIENCY	≥88% (230 VAC)
TURN ON DELAY	≤3000mS (230 VAC)
OPERATING CONDITIONS	-40°C ~ +50°C; 20 ~ 95% humidity
STORAGE CONDITIONS	-40 °C ~ +80 °C; 10 ~ 95% humidity
IP CLASS	IP 68
PROTECTIONS INCLUDED	Over current Short circuit Over voltage
WARRANTY	5 years, ≥50 000 h

INPUT

INPUT VOLTAGE RANGE	100 - 240 VAC, (50 - 60 Hz)
MAX INPUT AC CURRENT	0.8 A Max
MAX INRUSH CURRENT	≤65 A (100-277 VAC)
POWER FACTOR	≥0.90 (230 VAC)

OUTPUT

OUTPUT CURRENT	0.7 A
OUTPUT VOLTAGE	40-80 V DC
MAX OUTPUT POWER	60 W



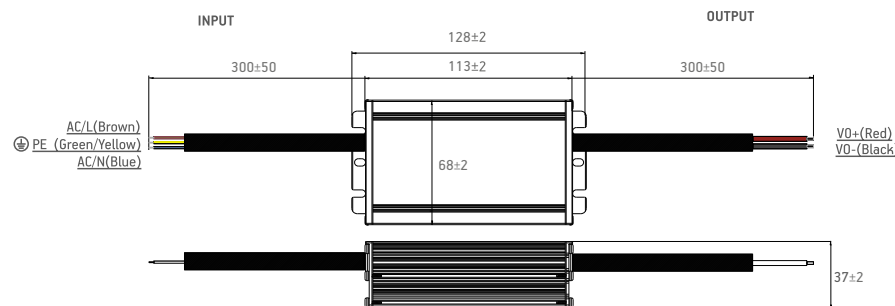
QUANTITY OF DRIVERS PER CIRCUIT BREAKER

CIRCUIT BREAKER OF TYPE C 16 A	18 units (at 230 VAC)
--------------------------------	-----------------------

ORDERING INFORMATION

SKU	UNIT NET WEIGHT, G	UNIT DIMENSIONS, MM
BPSP-60-C700.1	580	113 x 68 x 37

DIMENSIONS



CONFORMITY & STANDARDS

EMC Emission:

- compliance to EN55015

EMC Immunity:

- EN55015
- EN61547
- EN61000-3-2
- EN61000-3-3
- CB

CE-LVD:

- IEC/EN61347-1
- IEC/EN61347-2-13

SIGNBRIDGE PLUS



100 W LED driver. Model: BPSP-100-C700.1



CONFORMITY & STANDARDS

EMC Emission:

- compliance to EN55015

EMC Immunity:

- EN55015
- EN61547
- EN61000-3-2
- EN61000-3-3
- CB

CE-LVD:

- IEC/EN61347-1
- IEC/EN61347-2-13

GENERAL SPECIFICATIONS

EFFICIENCY	≥88% (230 VAC)
TURN ON DELAY	≤3000mS (230 VAC)
OPERATING CONDITIONS	-40°C ~ +50°C; 20 ~ 95% humidity
STORAGE CONDITIONS	-40 °C ~ +80 °C; 10 ~ 95% humidity
IP CLASS	IP 68
PROTECTIONS INCLUDED	Over current Short circuit Over voltage
WARRANTY	5 years, ≥50 000 h

INPUT

INPUT VOLTAGE RANGE	100 - 240 VAC, (50 - 60 Hz)
MAX INPUT AC CURRENT	1.3 A Max
MAX INRUSH CURRENT	≤65 A (100-277 VAC)
POWER FACTOR	≥0.95 (230 VAC)

OUTPUT

OUTPUT CURRENT	0.7 A
OUTPUT VOLTAGE	85-142 V
MAX OUTPUT POWER	100 W

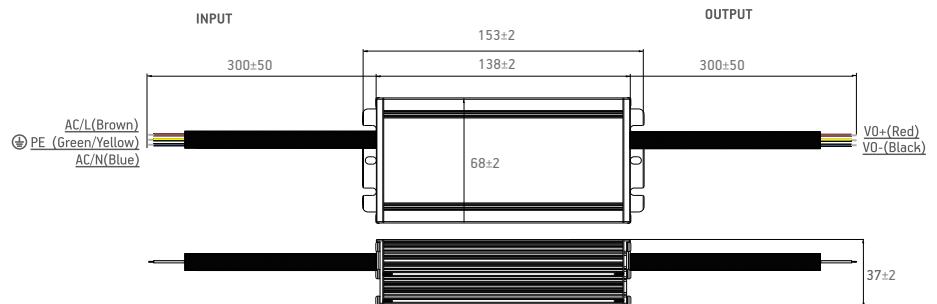
QUANTITY OF DRIVERS PER CIRCUIT BREAKER

CIRCUIT BREAKER OF TYPE C 16 A	12 units (at 230 VAC)
--------------------------------	-----------------------

ORDERING INFORMATION

SKU	UNIT NET WEIGHT, G	UNIT DIMENSIONS, MM
BPSPS-100-12V.1	720	138 x 68 x 37

DIMENSIONS





SIGNBRIDGE SLIM PLUS

60 W LED driver. Model: BPSP.S-60-12V.1



GENERAL SPECIFICATIONS

EFFICIENCY	≥85% (230 VAC)
TURN ON DELAY	3000 ms (230 VAC)
OPERATING CONDITIONS	-40°C ~ +50°C; 20 ~ 95% humidity
STORAGE CONDITIONS	-40 °C ~ +80 °C; 10 ~ 95% humidity
IP CLASS	IP 68
PROTECTIONS INCLUDED	Over current Short circuit Over voltage Over temperature
WARRANTY	5 years, ≥50 000 h

INPUT

INPUT VOLTAGE RANGE	100 - 240 VAC, (47 - 63 Hz)
MAX INPUT AC CURRENT	0.9 A Max
MAX INRUSH CURRENT	≤60 A
POWER FACTOR	≥0.95 (230 VAC)

OUTPUT

OUTPUT CURRENT	5 A
OUTPUT VOLTAGE	12 V
MAX OUTPUT POWER	60 W

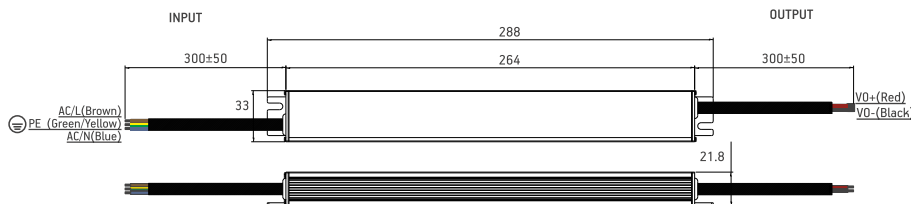
QUANTITY OF DRIVERS PER CIRCUIT BREAKER

CIRCUIT BREAKER OF TYPE C 16 A	30 units (at 230 VAC)
CIRCUIT BREAKER OF TYPE C 25 A	40 units (at 230 VAC)

ORDERING INFORMATION

SKU	UNIT NET WEIGHT, G	UNIT DIMENSIONS, MM
BPSP.S-60-12V.1	360	264 x 33 x 21.8

DIMENSIONS



CONFORMITY & STANDARDS

EMC Emission:

- compliance to EN55015

EMC Immunity:

- EN55015
- EN61547
- EN61000-3-2
- EN61000-3-3
- CB
- CE-LVD:
 - IEC/EN61347-1
 - IEC/EN61347-2-13
 - UL8750
 - UL1310

SIGNBRIDGE SLIM PLUS

100 W LED driver. Model: BPSP.S-100-12V.1



GENERAL SPECIFICATIONS

EFFICIENCY	≥92% (230 VAC)
TURN ON DELAY	3000 ms (230 VAC)
OPERATING CONDITIONS	-40°C ~ +50°C; 20 ~ 95% humidity
STORAGE CONDITIONS	-40 °C ~ +80 °C; 10 ~ 95% humidity
IP CLASS	IP 68
PROTECTIONS INCLUDED	Over current Short circuit Over voltage Over temperature
WARRANTY	5 years, ≥50 000 h

INPUT

INPUT VOLTAGE RANGE	100 - 240 VAC, (47 - 63 Hz)
MAX INPUT AC CURRENT	1.3 A Max
MAX INRUSH CURRENT	≤70 A
POWER FACTOR	≥0.95 (230 VAC)

OUTPUT

OUTPUT CURRENT	8.33 A
OUTPUT VOLTAGE	12 V
MAX OUTPUT POWER	100 W

CONFORMITY & STANDARDS

EMC Emission:

- compliance to EN55015

EMC Immunity:

- EN55015
- EN61547
- EN61000-3-2
- EN61000-3-3
- CB
- CE-LVD:
 - IEC/EN61347-1
 - IEC/EN61347-2-13
 - UL8750
 - UL1310

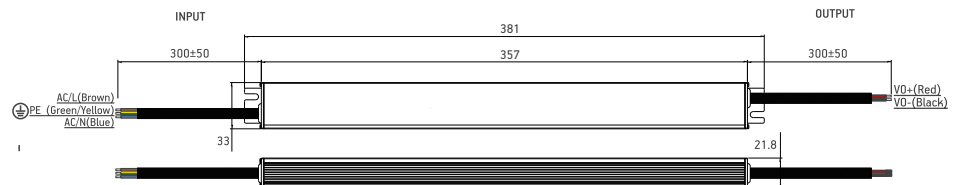
QUANTITY OF DRIVERS PER CIRCUIT BREAKER

CIRCUIT BREAKER OF TYPE C 16 A	20 units (at 230 VAC)
CIRCUIT BREAKER OF TYPE C 25 A	30 units (at 230 VAC)

ORDERING INFORMATION

SKU	UNIT NET WEIGHT, G	UNIT DIMENSIONS, MM
BPSP.S-100-12V.1	530	357 x 33 x 21.8

DIMENSIONS





E-mail: signage@baltled.com

Phone: +370 532 390 00

Website: www.baltled.com

Address:
Azuolyno str. 7
LT-07196, Vilnius
Lithuania