

MINI



ITEM DESCRIPTION

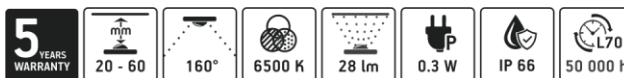
MINI is best for the uniform illumination of shallow depth narrow channel letters. These modules are designed to fit in backlit and halo-lit applications with depths as low as 20 mm and widths as narrow as 8 mm. Great illumination uniformity can be achieved with 85 mm / 42 mm distance between modules and flexible silicone insulation wires allowing easy installation. A 5-year warranty with L70 for 50,000 hours is applied.

APPLICATION

- Shallow depth narrow channel letters
- Recommended depth 20 – 60 mm

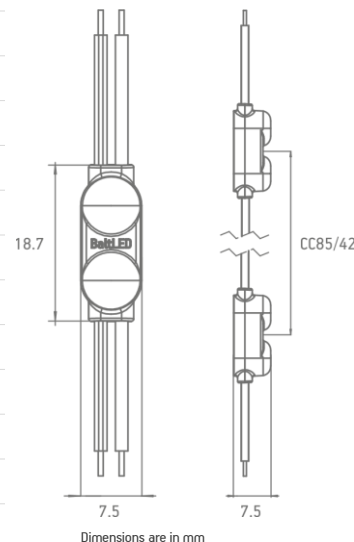
FEATURES & BENEFITS

- Extremely small size
- High CRI > 82
- Efficiency up to 93 lm/W
- IP66 protection class
- Made in Europe
- 5 year warranty



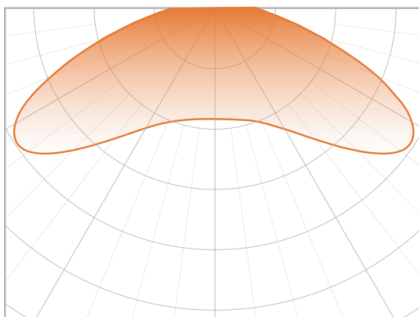
GENERAL SPECIFICATIONS

SUPPLY VOLTAGE	12 VDC
POWER	0.3 W
RECOMMENDED DEPTH	From 20 to 60 mm
CC DISTANCE	85 mm; 42 mm
BINNING	3 SDCM
OPERATING TEMPERATURE	-30 °C ~ +50 °C
STORAGE TEMPERATURE	+5 °C ~ +70 °C
STORAGE CONDITIONS	Relative humidity <60%
IP CLASS	IP66
CERTIFICATION	CE, RoHS and UKCA compliant
LIFETIME	L70 50,000 h
WARRANTY	5 years*



*Warranty is applied only and if storage, mounting and maintenance conditions, stated in the installation guide, are followed.

LIGHT DISTRIBUTION GRAPH



Beam angle: 155°

ORDERING INFORMATION

SKU	CC DISTANCE	POWER	LUMEN OUTPUT	COLOUR TEMP.
BMP-5M-02UH160CW70	85 mm	0.3 W	28 lm	6500 ± 250 K
BMP-5M-02UH160WW30	85 mm	0.3 W	27 lm	3000 ± 200 K
BMP-5M-02UH160CW70CC	42 mm	0.3 W	28 lm	6500 ± 250 K
BMP-5M-02UH160WW30CC	42 mm	0.3 W	27 lm	3000 ± 200 K

NOTE: Modules are sold in full bags only, with a minimum order of one bag.

ORDERING QUANTITY

CHAIN	BAG	BOX
50 pcs (net weight: ~0.076 kg)	100 pcs (net weight: ~0.162 kg)	2000 pcs (net weight: ~3.300 kg)