

**2025** PRODUCT CATALOG *illuminate your business*

**BACK THEN...**

**MORE THAN  
20 YEARS AGO  
IT ALL BEGAN FROM  
THIS...**

**THE BEGINNING**

In 2005 one of the co-founders of BaltLED visits his friend a professor at Vilnius University. The professor at the moment happens to be working on the LED-based illumination for greenhouses to enhance the vegetation of plants. The conversation turns towards new developments in LED technology. Here and now the idea to adopt LED technology for signage illumination appears. In less than a year, BaltLED is found and produces the country's first LED module for illuminated signs.

# AND NOW...

## WHO WE ARE TODAY

BaltLED – an international company, creating, designing and supplying LED illumination solutions for signage all over the Europe and other continents.

With more than 20 years of experience we have already provided signage solutions for uniform illumination for a total area equal to more than 1,000,000 m<sup>2</sup> of different signage applications.

Having in house R&D, production facility and experienced team project designers and light experts, we are ready to provide the whole project solution.

## APPLICATIONS OUR SOLUTIONS COVER



### SIGNAGE ILLUMINATION

Letter signs  
Light box signs  
Stretch ceilings



### STREET FURNITURE LIGHTING (SFL)

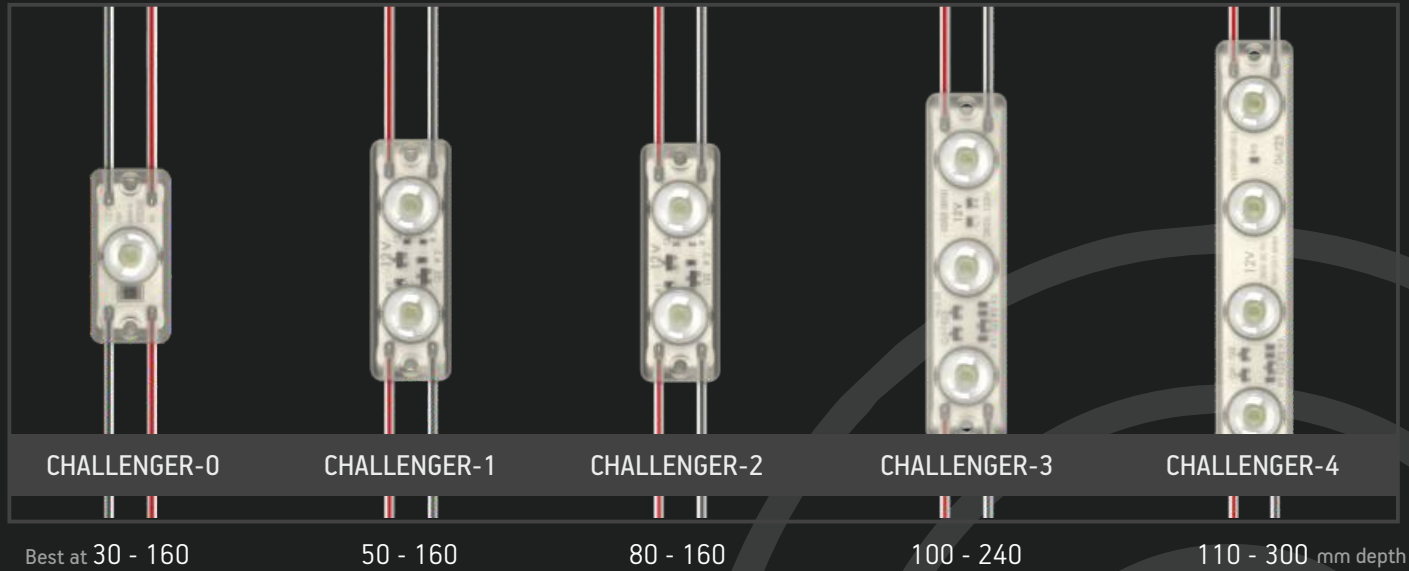
Bus shelter displays  
Poster billboards  
Street sign displays

In years, we have received many different awards and certificates. Here you can see few we are the most proud of: golden medals of Product of the Year awards.



# CHALLENGER SERIES

## FOR CHANNEL LETTERS + SINGLE-SIDED LIGHTBOXES



### CENTRE-TO-CENTRE DISTANCE, mm

DEPTH, mm	30	40	50	60	70	80	90	100	110	120	130	140	160	180	200	220	240	260	280	300	
<b>C-0</b>	40	60	90	110	120	130	130	130	130	130	130	130	130								
<b>C-1</b>			90	120	140	160	180	190	200	200	200	200	200								
<b>C-2</b>						160	180	190	200	210	220	230	230								
<b>C-3</b>								200	220	240	260	280	320	340	340	340	340				
<b>C-4</b>									250	280	300	320	340	340	340	340	340	340	340	340	340

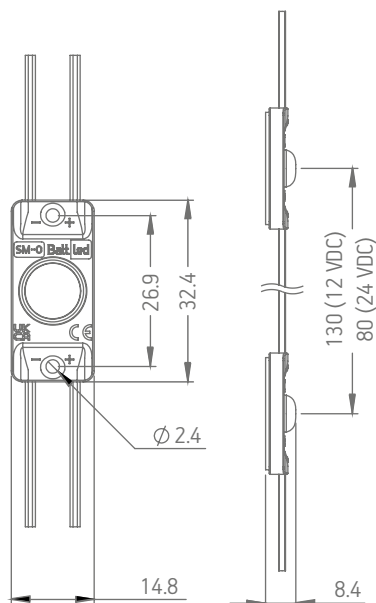
! Distances provided are based on testing in a lightbox with PLEXIGLAS® XT White WN770 GT, Translucency 30.0%. These are only recommendations and may vary based on application, cover material and other factors. For precise project calculation please contact us at [projects@baltled.com](mailto:projects@baltled.com)



## GENERAL SPECIFICATIONS

SUPPLY VOLTAGE	12 VDC   24 VDC
POWER	0.35 W   0.5W   0.2 W
RECOMMENDED DEPTH	From 30 to 160 mm
CC DISTANCE	130 mm   80 mm
BINNING	3 SDCM
OPERATING TEMPERATURE	-20°C ~ +50°C
STORAGE TEMPERATURE	-30°C ~ +60°C
STORAGE CONDITIONS	Relative humidity <60%
LIFETIME	L80 70,000 h
CERTIFICATION	CE, UKCA and RoHS compliant
WARRANTY	5 years (24/7)*

\*Warranty is applied only and if storage, mounting and maintenance conditions, stated in the installation guide, are followed.



Dimensions are in mm

## ORDERING INFORMATION

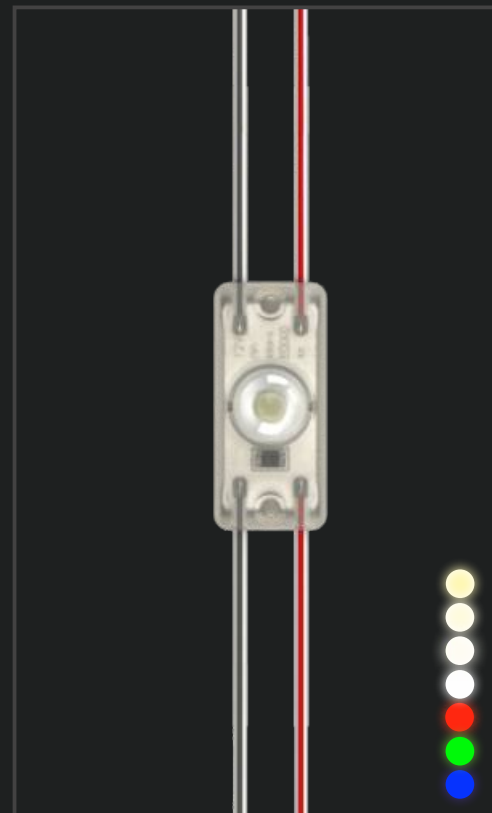
SKU	SUPPLY VOLTAGE	CC DISTANCE, MM	POWER, W	LUMEN OUTPUT, LM	COLOUR / CCT	
BMP-M0-01UH160WW035	12 VDC	130	0.35	44	3000 K	
BMP-M0-01UH160NW035		130	0.35	46	4000 K	
BMP-M0-01UH160PW050		130	0.50	58	5000 K	
BMP-M0-01UH160CW035		130	0.35	47	6500 K	
BMP-M0-01UH160CW050		130	0.5	60	6500 K	
BMP-M0-01UH160R035		130	0.35	15	red	
BMP-M0-01UH160G035		130	0.35	34	green	
BMP-M0-01UH160B035		130	0.35	8	blue	
BMP-M0-01UH160NW020-24V		24 VDC	80	0.20	28	6500 K

**NOTE:** Modules are sold in full bags only, with a minimum order of one bag.

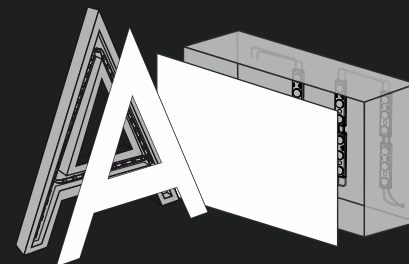
## PACKAGING INFORMATION

	CHAIN	BAG	BOX
12 VDC	30 pcs	210 pcs	1470 pcs
24 VDC	80 pcs	160 pcs	1600 pcs

# CHALLENGER 0

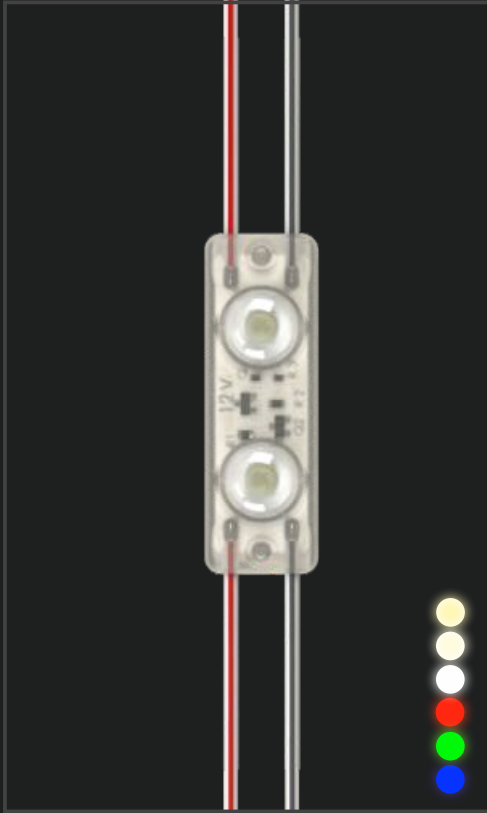


## APPLICATION



best at 30 - 160 mm depth

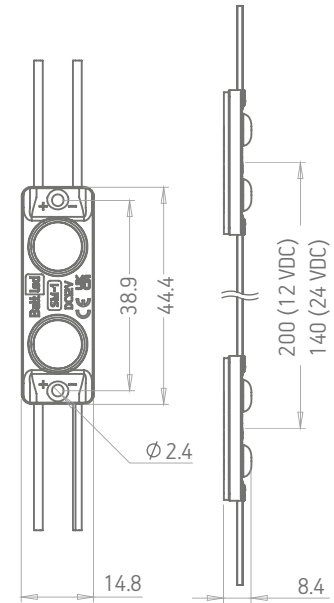
# CHALLENGER 1



## GENERAL SPECIFICATIONS

SUPPLY VOLTAGE	12 VDC   24 VDC
POWER	0.75 W   0.5 W
RECOMMENDED DEPTH	From 50 to 160 mm
CC DISTANCE	200 mm   140 mm
BINNING	3 SDCM
OPERATING TEMPERATURE	-20 °C ~ +50 °C
STORAGE TEMPERATURE	-30 °C ~ +70 °C
STORAGE CONDITIONS	Relative humidity <60%
LIFETIME	L80 70,000 h
CERTIFICATION	CE, UKCA and RoHS compliant
WARRANTY	5 years (24/7)*

\*Warranty is applied only and if storage, mounting and maintenance conditions, stated in the installation guide, are followed.



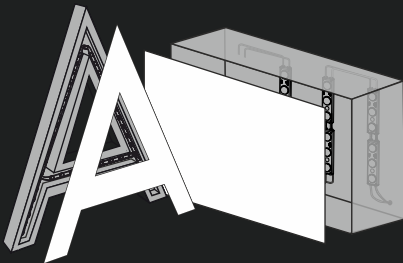
Dimensions are in mm

## ORDERING INFORMATION

SKU	SUPPLY VOLTAGE	CC DISTANCE, MM	POWER, W	LUMEN OUTPUT, LM	COLOUR / CCT
BMP-M1-02UH160WW075	12 VDC	200	0.75	86	3000 K
BMP-M1-02UH160NW075		200	0.75	90	4000 K
BMP-M1-02UH160CW075		200	0.75	92	6500 K
BMP-M1-02UH160R075		200	0.75	27	red
BMP-M1-02UH160G075		200	0.75	74	green
BMP-M1-02UH160B075		200	0.75	15	blue
BMP-M1-02UH160CW050-24V		24 VDC	140	0.50	62

**NOTE:** Modules are sold in full bags only, with a minimum order of one bag.

## APPLICATION



best at 50 - 160 mm depth

## PACKAGING INFORMATION

	CHAIN	BAG	BOX
12 VDC	38 pcs	152 pcs	1064 pcs
24 VDC	110 pcs	110 pcs	1100 pcs

5 YEARS WARRANTY

80 - 160

160°

6500 K

119 lm

1.0 W

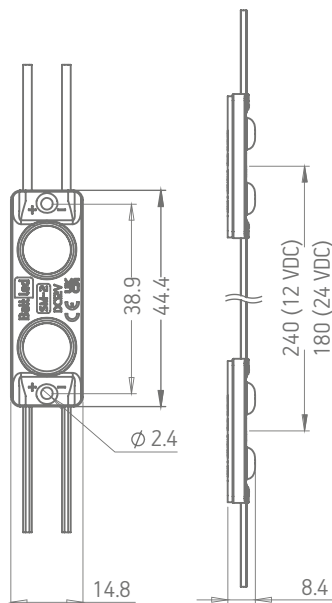
IP 67

L80 70 000 h

## GENERAL SPECIFICATIONS

SUPPLY VOLTAGE	12 VDC   24 VDC
POWER	1.0 W   0.8 W
RECOMMENDED DEPTH	From 80 to 160 mm
CC DISTANCE	240 mm   180 mm
BINNING	3 SDCM
OPERATING TEMPERATURE	-20 °C ~ +50 °C
STORAGE TEMPERATURE	-30 °C ~ +60 °C
STORAGE CONDITIONS	Relative humidity <60%
LIFETIME	L80 70,000 h
CERTIFICATION	CE, UKCA and RoHS compliant
WARRANTY	5 years (24/7)*

\*Warranty is applied only and if storage, mounting and maintenance conditions, stated in the installation guide, are followed.



Dimensions are in mm

## ORDERING INFORMATION

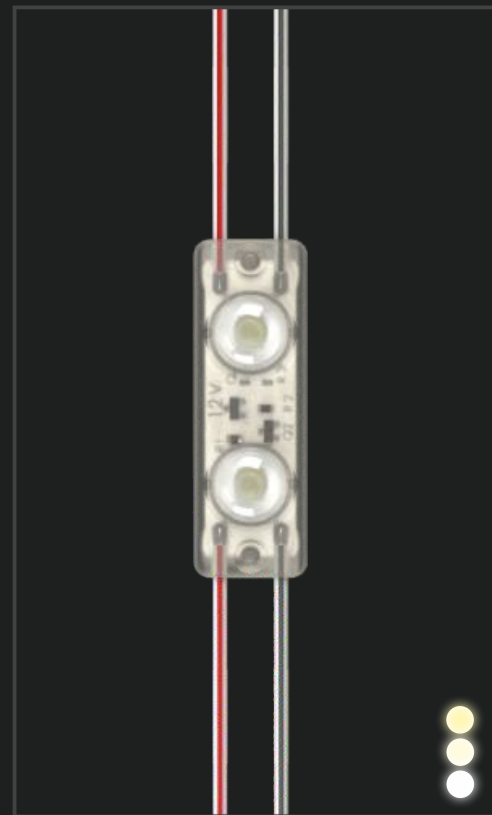
SKU	SUPPLY VOLTAGE	CC DISTANCE, MM	POWER, W	LUMEN OUTPUT, LM	COLOUR / CCT
BMP-M2-02UH160WW100	12 VDC	240	1.0	112	3000 K
BMP-M2-02UH160NW100		240	1.0	117	4000 K
BMP-M2-02UH160CW100		240	1.0	119	6500 K
BMP-M2-02UH160CW080-24V	24 VDC	180	0.8	97	6500 K

**NOTE:** Modules are sold in full bags only, with a minimum order of one bag.

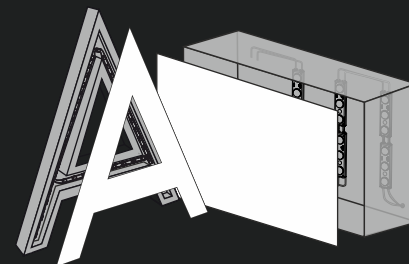
## PACKAGING INFORMATION

	CHAIN	BAG	BOX
12 VDC	35 pcs	140 pcs	980 pcs
24 VDC	90 pcs	90 pcs	810 pcs

# CHALLENGER 2



## APPLICATION



best at 80 - 160 mm depth

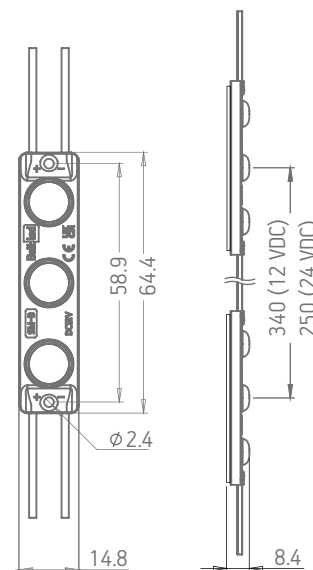
# CHALLENGER 3



## GENERAL SPECIFICATIONS

SUPPLY VOLTAGE	12 VDC   24 VDC
POWER	1.2 W   1.5 W   1.1 W
RECOMMENDED DEPTH	From 100 to 140 mm
CC DISTANCE	340 mm   250 mm
BINNING	3 SDCM
OPERATING TEMPERATURE	-20 °C ~ +50 °C
STORAGE TEMPERATURE	-30 °C ~ +60 °C
STORAGE CONDITIONS	Relative humidity <60%
LIFETIME	L80 70,000 h
CERTIFICATION	CE, UKCA and RoHS compliant
WARRANTY	5 years (24/7)*

\*Warranty is applied only and if storage, mounting and maintenance conditions, stated in the installation guide, are followed.



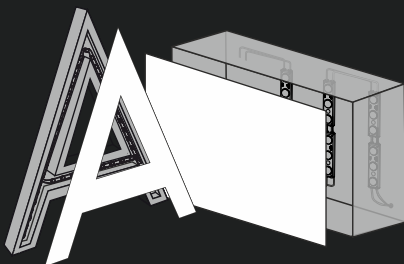
Dimensions are in mm

## ORDERING INFORMATION

SKU	SUPPLY VOLTAGE	CC DISTANCE, MM	POWER, W	LUMEN OUTPUT, LM	COLOUR / CCT
BMP-M3-03UH160CW150	12 VDC	340	1.5	174	6500 K
BMP-M3-03UH160R150		340	1.2	42	red
BMP-M3-03UH160CW110-24V	24 VDC	250	1.1	128	6500 K

**NOTE:** Modules are sold in full bags only, with a minimum order of one bag.

## APPLICATION



best at 100 - 240 mm depth

## PACKAGING INFORMATION

	CHAIN	BAG	BOX
12 VDC	24 pcs	120 pcs	840 pcs
24 VDC	66 pcs	66 pcs	594 pcs



5  
YEARS  
WARRANTY

mm  
110 - 300

160°

6500 K

233 lm

2.0 W

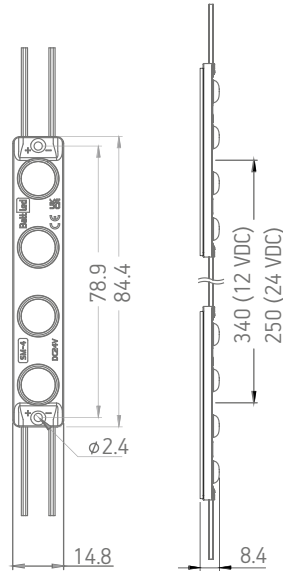
IP 67

L80  
70 000 h

## GENERAL SPECIFICATIONS

SUPPLY VOLTAGE	12 VDC   24 VDC
POWER	2.0 W   1.4 W
RECOMMENDED DEPTH	From 110 to 300 mm
CC DISTANCE	340 mm   250 mm
BINNING	3 SDCM
OPERATING TEMPERATURE	-20 °C ~ +50 °C
STORAGE TEMPERATURE	-30 °C ~ +60 °C
STORAGE CONDITIONS	Relative humidity <60%
LIFETIME	L80 70,000 h
CERTIFICATION	CE, UKCA and RoHS compliant
WARRANTY	5 years (24/7)*

\*Warranty is applied only and if storage, mounting and maintenance conditions, stated in the installation guide, are followed.



Dimensions are in mm

## ORDERING INFORMATION

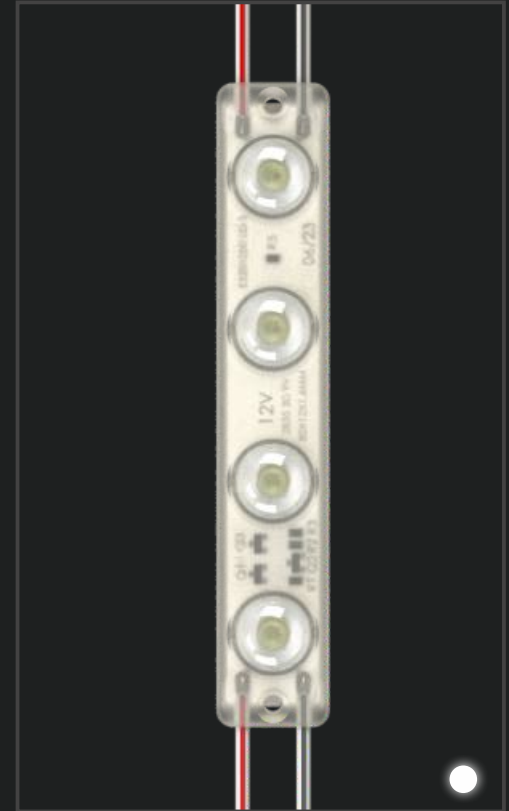
SKU	SUPPLY VOLTAGE	CC DISTANCE, MM	POWER, W	LUMEN OUTPUT, LM	COLOUR / CCT
BMP-M4-04UH160CW200	12 VDC	340	2.0	233	6500 K
BMP-M4-04UH160CW140-24V	24 VDC	250	1.4	166	6500 K

**NOTE:** Modules are sold in full bags only, with a minimum order of one bag.

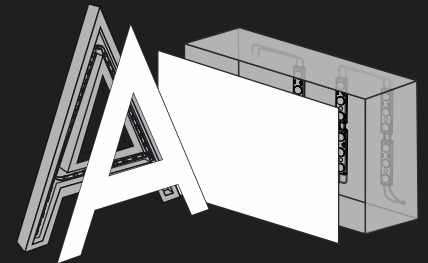
## PACKAGING INFORMATION

	CHAIN	BAG	BOX
12 VDC	20 pcs	100 pcs	700 pcs
24 VDC	50 pcs	100 pcs	700 pcs

# CHALLENGER 4



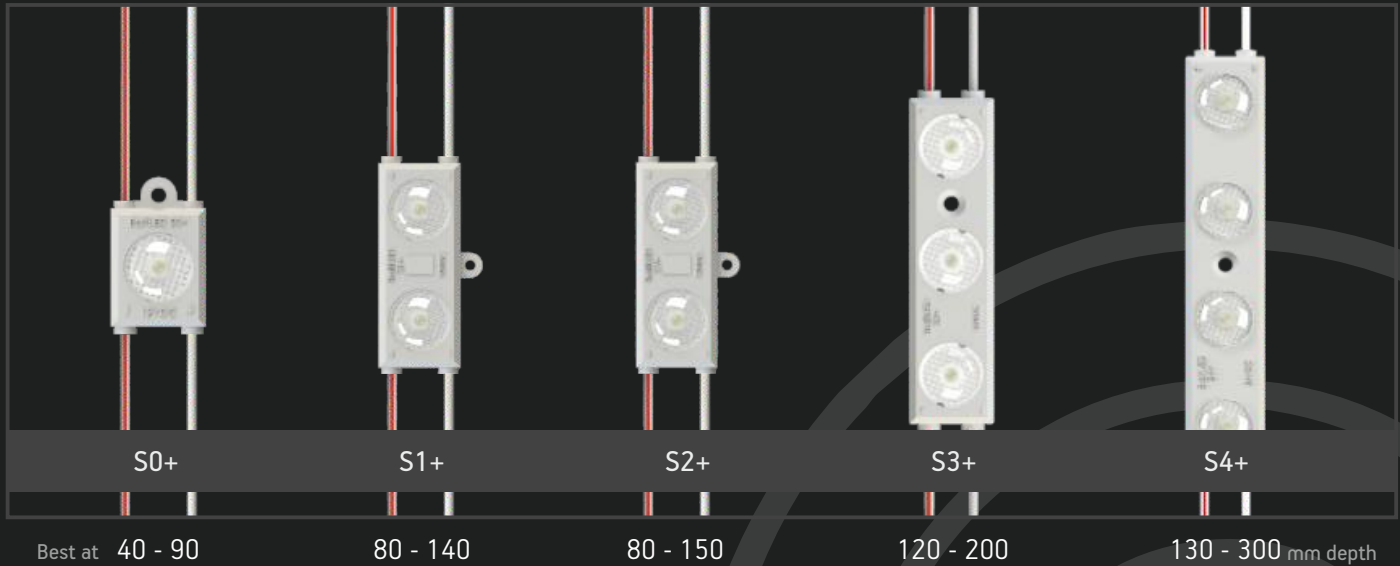
## APPLICATION



best at 110 - 300 mm depth

# OPTO S+ SERIES

## FOR CHANNEL LETTERS + SINGLE-SIDED LIGHTBOXES



### CENTRE-TO-CENTRE DISTANCE, mm

DEPTH, mm	40	50	60	70	80	90	100	110	120	130	140	150	160	170	180	190	200	220	250	280	300		
<b>S0+</b>	80	100	120	140	160	170																	
<b>S1+</b>					160	180	200	210	230	250	250												
<b>S2+</b>					150	170	190	200	210	250	290	300											
<b>S3+</b>									240	260	260	270	270	300	310	330	350						
<b>S4+</b>										350	350	360	360	370	370	380	380	390	390	400	400		

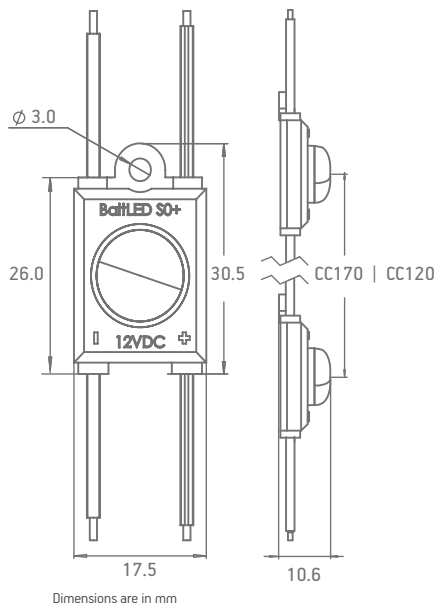
! Distances provided are based on testing in a lightbox with PLEXIGLAS® XT White WN770 GT, Translucency 30.0%. These are only recommendations and may vary based on application, cover material and other factors. For precise project calculation please contact us at [projects@battled.com](mailto:projects@battled.com)



## GENERAL SPECIFICATIONS

SUPPLY VOLTAGE	12 VDC
POWER	0.5 W
RECOMMENDED DEPTH	From 40 to 90 mm
CC DISTANCE	170 mm   120 mm
BINNING	3 SDCM
OPERATING TEMPERATURE	-30 °C ~ +50 °C
STORAGE TEMPERATURE	+5 °C ~ +70 °C
STORAGE CONDITIONS	Relative humidity <60%
LIFETIME	L80 50,000 h
CERTIFICATION	CE, UKCA and RoHS compliant
WARRANTY	5 years (24/7)*

\*Warranty is applied only and if storage, mounting and maintenance conditions, stated in the installation guide, are followed.



## ORDERING INFORMATION

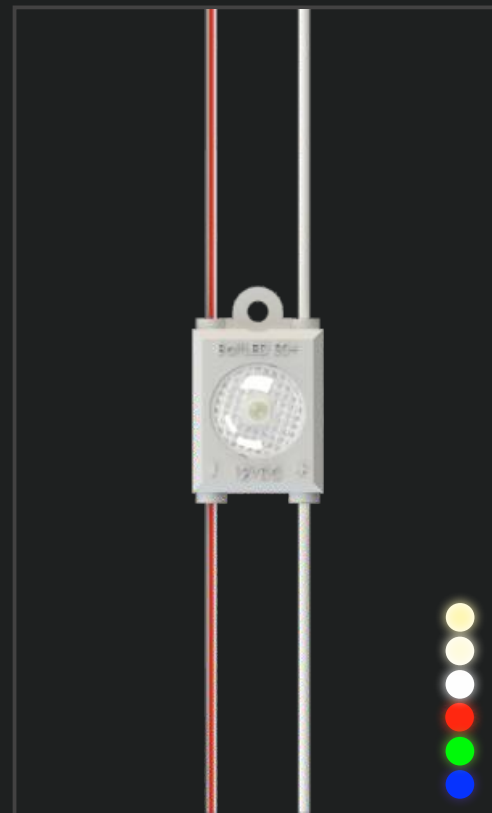
SKU	CC DISTANCE, MM	POWER, W	LUMEN OUTPUT, LM	COLOUR / CCT
BMOP-SP-LE1A160865E05	170	0.5	63	6500 K
BMOP-SP-LE1A160865E05CC	120	0.5	63	6500 K
BMOP-SP-LE1A160840E05	170	0.5	64	4000 K
BMOP-SP-LE1A160830E05	170	0.5	50	3000 K
BMOP-SP-LE1A160RE05	170	0.45	20	red
BMOP-SP-LE1A160GE05	170	0.5	44	green
BMOP-SP-LE1A160BE05	170	0.5	11	blue

**NOTE:** Modules are sold in full bags only, with a minimum order of one bag.

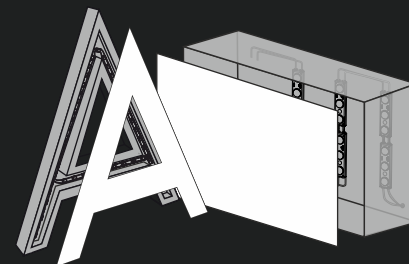
## PACKAGING INFORMATION

CC DISTANCE, MM	CHAIN	BAG	BOX
170	60 pcs	120 pcs	1200 pcs
120	80 pcs	160 pcs	1280 pcs

# OPTO SO+

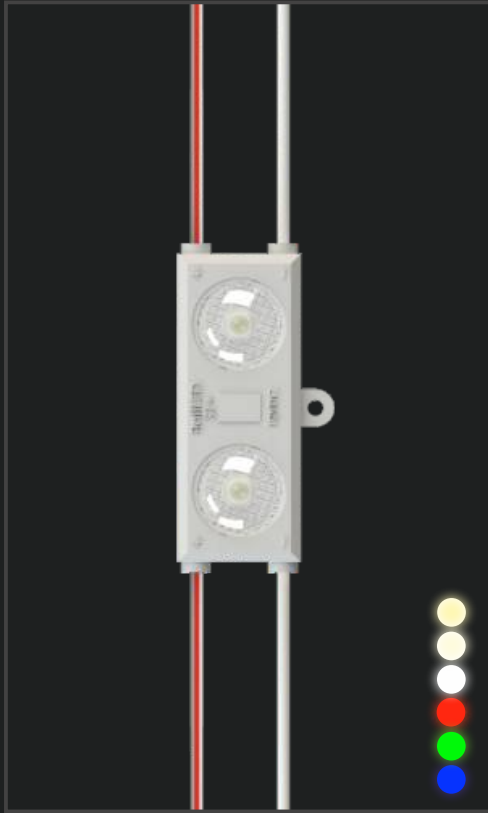


## APPLICATION

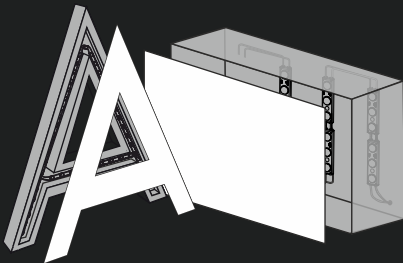


best at 40 - 90 mm depth

# OPTO S1+



## APPLICATION



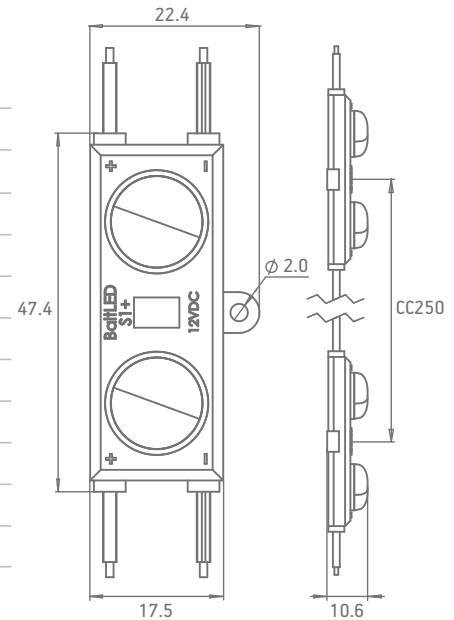
best at 80 - 140 mm depth



## GENERAL SPECIFICATIONS

SUPPLY VOLTAGE	12 VDC
POWER	1.0 W
RECOMMENDED DEPTH	From 180 to 140 mm
CC DISTANCE	250 mm
BINNING	3 SDCM
OPERATING TEMPERATURE	-30 °C ~ +50 °C
STORAGE TEMPERATURE	+5 °C ~ +70 °C
STORAGE CONDITIONS	Relative humidity <60%
LIFETIME	L80 50,000 h
CERTIFICATION	CE, UKCA and RoHS compliant
WARRANTY	5 years (24/7)*

\*Warranty is applied only and if storage, mounting and maintenance conditions, stated in the installation guide, are followed.



Dimensions are in mm

## ORDERING INFORMATION

SKU	POWER, W	LUMEN OUTPUT, LM	COLOUR / CCT
BMOP-SP-LE2A160865E1	1.0	122	6500 K
BMOP-SP-LE2A160840E1	1.0	121	4000 K
BMOP-SP-LE2A160830E1	1.0	93	3000 K
BMOP-SP-LE2A160RE09	0.9	34	red
BMOP-SP-LE2A160GE1	1.0	85	green
BMOP-SP-LE2A160BE1	1.0	20	blue

**NOTE:** Modules are sold in full bags only, with a minimum order of one bag.

## PACKAGING INFORMATION

CHAIN	BAG	BOX
35 pcs	70 pcs	560 pcs

10 YEARS  
LIMITED  
WARRANTY

mm  
80 - 150

160°

6500 K

160 lm

1.0 W

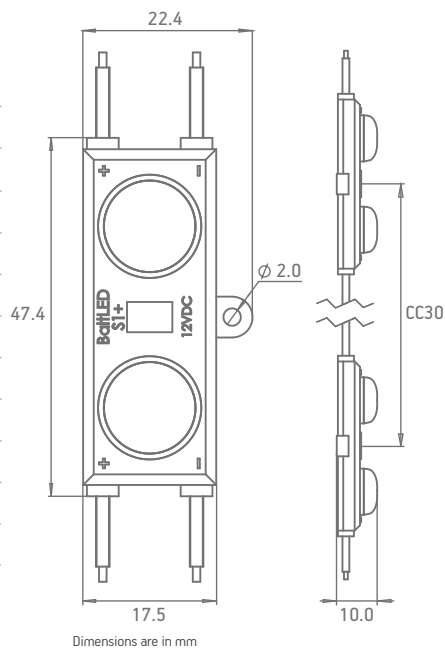
IP 67

L80  
50 000 h

## GENERAL SPECIFICATIONS

SUPPLY VOLTAGE	24 VDC
POWER	1.0 W
RECOMMENDED DEPTH	From 80 to 150 mm
CC DISTANCE	300 mm
BINNING	3 SDCM
OPERATING TEMPERATURE	-20 °C ~ +50 °C
STORAGE TEMPERATURE	-30 °C ~ +60 °C
STORAGE CONDITIONS	Relative humidity <60%
LIFETIME	L80 50,000 h
CERTIFICATION	CE, UKCA and RoHS compliant
WARRANTY	10 years (24/7)*

\*Limited ten (10) years warranty is valid for the products only if BaltLED LED drivers (power suppliers) are used in the complete system starting with the SKU of BPSP-... and BPSE-... In other case, a standard 5 years warranty is given. Warranty is applied only and if storage, mounting and maintenance conditions, stated in the installation guide, are followed.



## ORDERING INFORMATION

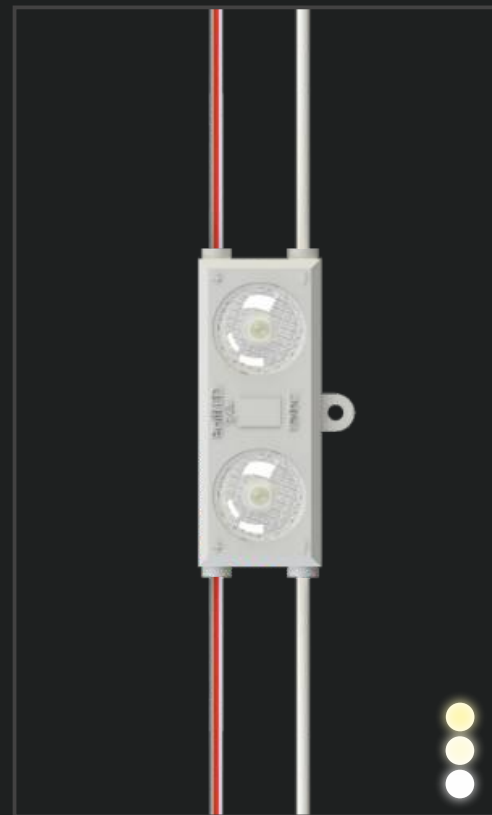
SKU	POWER, W	LUMEN OUTPUT, LM	COLOUR / CCT
BMP-S2P1-730E1-24V	1.0	148	3000 K
BMP-S2P1-740E1-24V	1.0	160	4000 K
BMP-S2P1-750E1-24V	1.0	160	5000 K
BMP-S2P1-765E1-24V	1.0	160	6500 K

**NOTE:** Modules are sold in full bags only, with a minimum order of one bag.

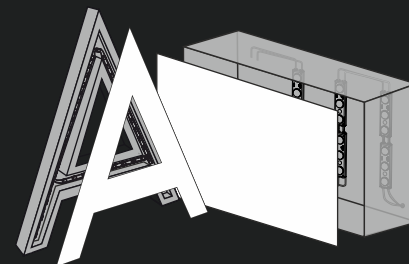
## PACKAGING INFORMATION

CHAIN	BAG	BOX
45 pcs	90 pcs	720 pcs

# OPTO S2+



## APPLICATION

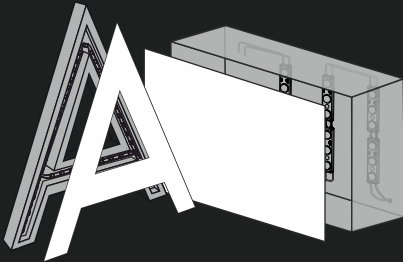


best at 80 - 150 mm depth

# OPTO S3+



## APPLICATION



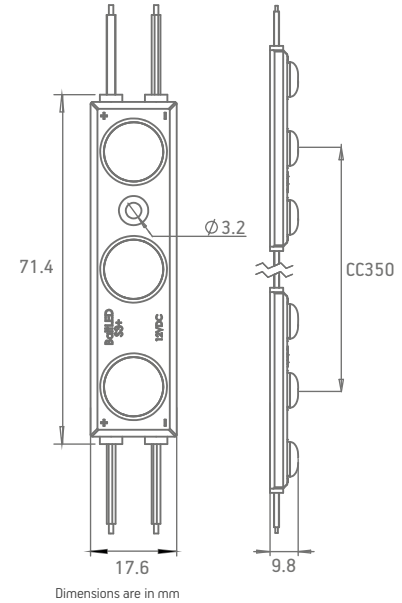
best at 120 - 200 mm depth



## GENERAL SPECIFICATIONS

SUPPLY VOLTAGE	12 VDC
POWER	1.45 W   1.2 W
RECOMMENDED DEPTH	From 120 to 200 mm
CC DISTANCE	350 mm
BINNING	3 SDCM
OPERATING TEMPERATURE	-30 °C ~ +50 °C
STORAGE TEMPERATURE	+5 °C ~ +70 °C
STORAGE CONDITIONS	Relative humidity <60%
LIFETIME	L80 50,000 h
CERTIFICATION	CE, UKCA and RoHS compliant
WARRANTY	5 years (24/7)*

\*Warranty is applied only and if storage, mounting and maintenance conditions, stated in the installation guide, are followed.



Dimensions are in mm

## ORDERING INFORMATION

SKU	POWER, W	LUMEN OUTPUT, LM	COLOUR / CCT
BMOP-SP-LE3A160865E1.5	1.45	180	6500 K
BMOP-SP-LE3A160840E1.5	1.45	171	4000 K
BMOP-SP-LE3A160830E1.5	1.45	143	3000 K
BMOP-SP-LE3A160RE1.2	1.2	55	red

**NOTE:** Modules are sold in full bags only, with a minimum order of one bag.

## PACKAGING INFORMATION

CHAIN	BAG	BOX
35 pcs	105 pcs	525 pcs

10 YEARS LIMITED WARRANTY

130 - 300

160°

6500 K

300 lm

1.8 W

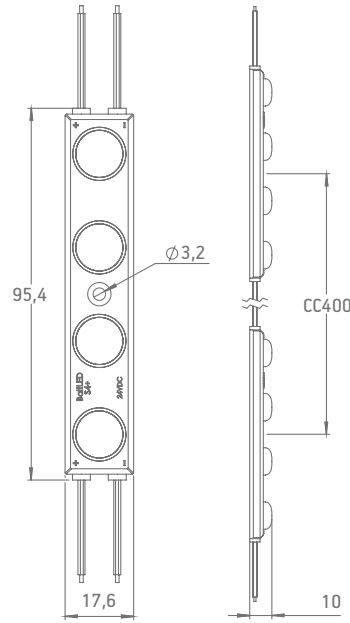
IP 67

L80 50 000 h

## GENERAL SPECIFICATIONS

SUPPLY VOLTAGE	24 VDC
POWER	1.8 W
RECOMMENDED DEPTH	From 130 to 300 mm
CC DISTANCE	400 mm
BINNING	3 SDCM
OPERATING TEMPERATURE	-20 °C ~ +50 °C
STORAGE TEMPERATURE	-30 °C ~ +60 °C
STORAGE CONDITIONS	Relative humidity <60%
LIFETIME	L80 50,000 h
CERTIFICATION	CE, UKCA and RoHS compliant
WARRANTY	10 years (24/7)*

\*Limited ten (10) years warranty is valid for the products only if BaltLED LED drivers (power suppliers) are used in the complete system starting with the SKU of BPSP-... and BPSE-... In other case, a standard 5 years warranty is given. Warranty is applied only and if storage, mounting and maintenance conditions, stated in the installation guide, are followed.



Dimensions are in mm



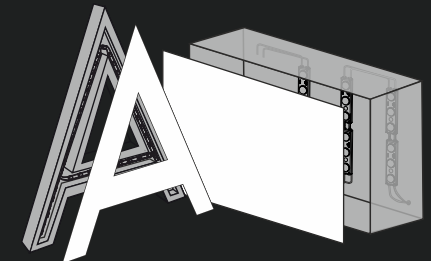
## ORDERING INFORMATION

SKU	POWER, W	LUMEN OUTPUT, LM	COLOUR / CCT
BMP-S4P1-730E1.8-24V	1.8	276	3000 K
BMP-S4P1-740E1.8-24V	1.8	299	4000 K
BMP-S4P1-765E1.8-24V	1.8	299	6500 K

**NOTE:** Modules are sold in full bags only, with a minimum order of one bag.

## PACKAGING INFORMATION

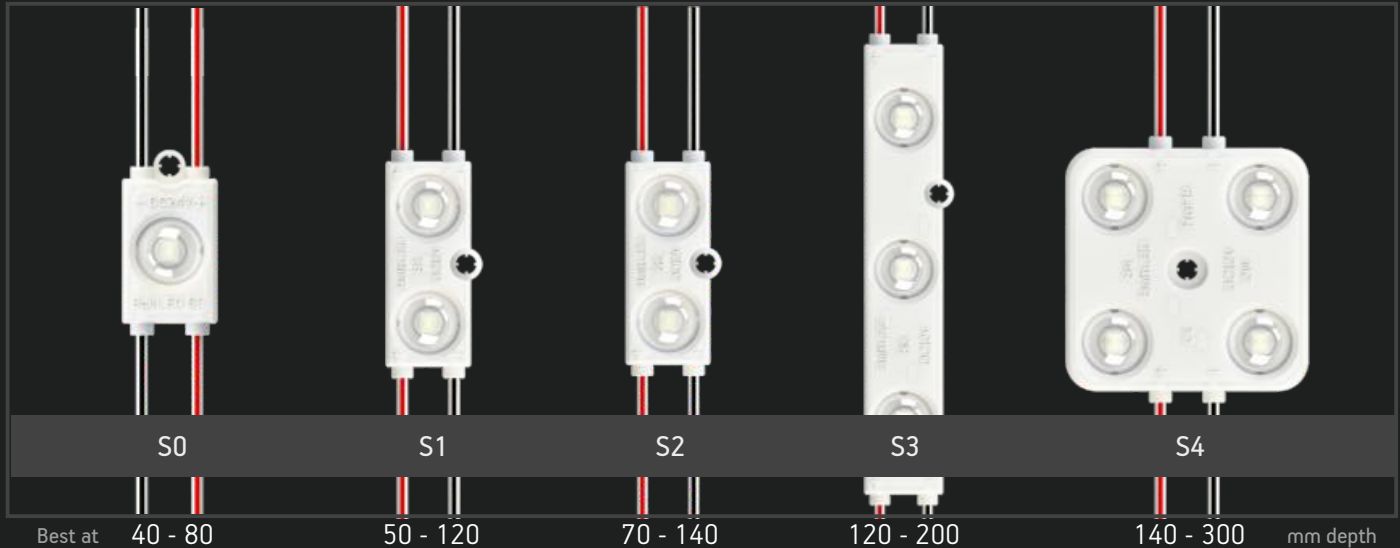
CHAIN	BAG	BOX
40 pcs	80 pcs	400 pcs



best at 130 - 300 mm depth

# STELLAR SERIES

## FOR CHANNEL LETTERS + SINGLE-SIDED LIGHTBOXES



### CENTRE-TO-CENTRE DISTANCE, mm

DEPTH, mm	40	50	60	70	80	90	100	110	120	130	140	150	160	170	180	190	200	250	300	
<b>S0</b>	60	80	100	100	130															
<b>S1</b>		80	90	110	130	150	170	180	200											
<b>S2</b>				110	130	160	160	180	200	210	230									
<b>S3</b>									200	210	240	270	310	310	340	340	340			
<b>S4</b>											250	270	310	330	340	340	340	340	340	340

! Distances provided are based on testing in a lightbox with PLEXIGLAS® XT White WN770 GT, Translucency 30.0%. These are only recommendations and may vary based on application, cover material and other factors. For precise project calculation please contact us at [projects@baltled.com](mailto:projects@baltled.com)

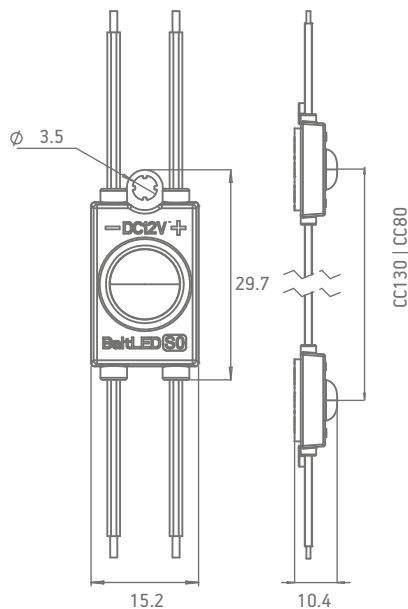




## GENERAL SPECIFICATIONS

SUPPLY VOLTAGE	12 VDC   24 VDC
POWER	0.35 W   0.2W
RECOMMENDED DEPTH	From 40 to 80 mm
CC DISTANCE	130 mm   80 mm
BINNING	3 SDCM
OPERATING TEMPERATURE	-30 °C ~ +60 °C
STORAGE TEMPERATURE	+5 °C ~ +50 °C
STORAGE CONDITIONS	Relative humidity <60%
LIFETIME	L70 100,000 h (6500K) L70 50,000 h (other colors)
CERTIFICATION	CE, UKCA, RoHS and UL compliant
WARRANTY	5 years (24/7)*

\*Warranty is applied only and if storage, mounting and maintenance conditions, stated in the installation guide, are followed.



Dimensions are in mm

## ORDERING INFORMATION

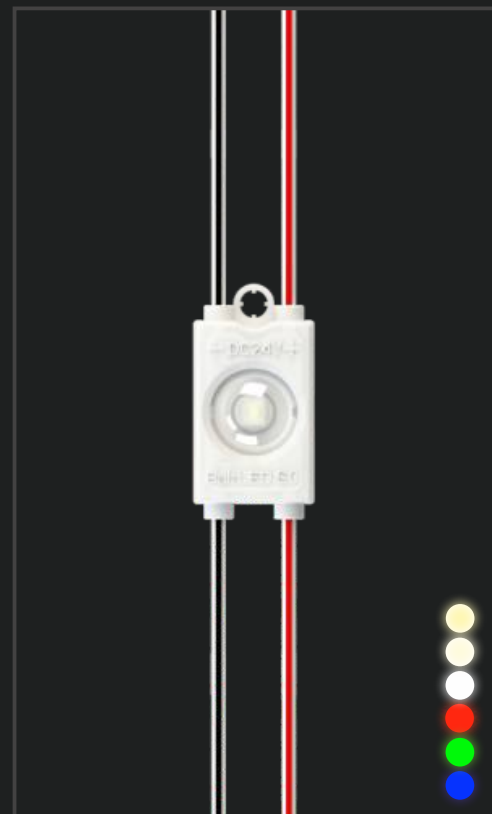
SKU	SUPPLY VOLTAGE	CC DISTANCE	POWER, W	LUMEN OUTPUT, LM	COLOUR/CCT
BMP-S0-01UH160CW700	12 VDC	130 mm	0.35	43	6500 K
BMP-S0-01UH160CW700-24V	24 VDC	80 mm	0.2	25	6500 K
BMP-S0-01UH160NW400	12 VDC	130 mm	0.35	42	4000 K
BMP-S0-01UH160WW300	12 VDC	130 mm	0.35	40	3000 K
BMP-S0-01UH160RC	12 VDC	130 mm	0.35	15	red
BMP-S0-01UH160GC	12 VDC	130 mm	0.35	25	green
BMP-S0-01UH160BC	12 VDC	130 mm	0.35	6	blue

**NOTE:** Modules are sold in full bags only, with a minimum order of one bag.

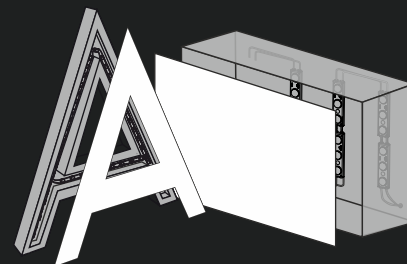
## PACKAGING INFORMATION

	CHAIN	BAG	BOX
6500 K 12 VDC 4000 K 12 VDC 3000 K 12 VDC	60 pcs	120 pcs	1200 pcs
6500 K 24 VDC	150 pcs	150 pcs	1500 pcs
OTHER COLOURS	70 pcs	140 pcs	1400 pcs

# STELLAR 0

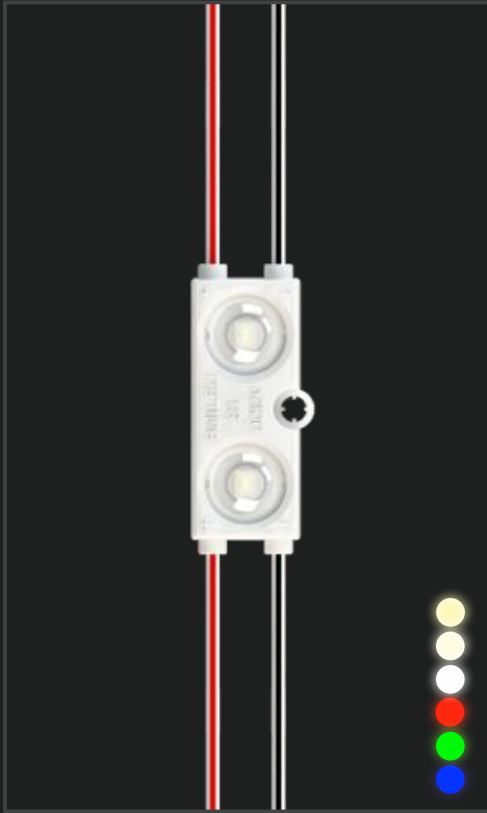


## APPLICATION

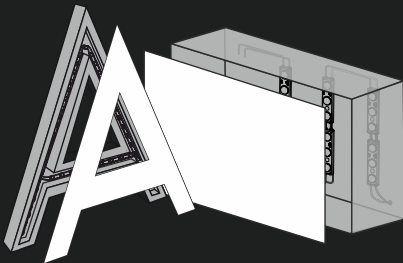


best at 40 - 80 mm depth

# STELLAR 1



## APPLICATION



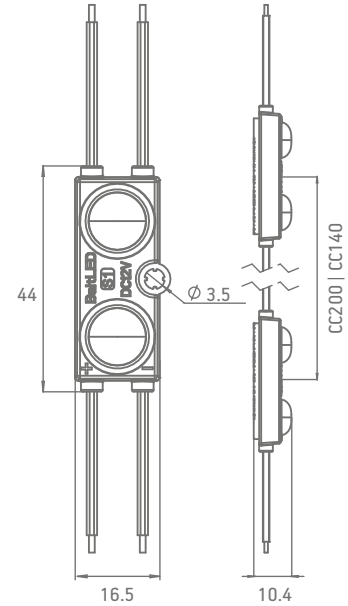
best at 50 - 120 mm depth



## GENERAL SPECIFICATIONS

SUPPLY VOLTAGE	12 VDC   24 VDC
POWER	0.75 W   0.5 W
RECOMMENDED DEPTH	From 50 to 120 mm
CC DISTANCE	200 mm   140 mm
BINNING	3 SDCM
OPERATING TEMPERATURE	-30 °C ~ +60 °C
STORAGE TEMPERATURE	+5 °C ~ +50 °C
STORAGE CONDITIONS	Relative humidity <60%
LIFETIME	L70 100,000 h (6500K) L70 50,000 h (other colors)
CERTIFICATION	CE, UKCA, RoHS and UL compliant
WARRANTY	5 years (24/7)*

\*Warranty is applied only and if storage, mounting and maintenance conditions, stated in the installation guide, are followed.



Dimensions are in mm

## ORDERING INFORMATION

SKU	SUPPLY VOLTAGE	CC DISTANCE	POWER, W	LUMEN OUTPUT, LM	COLOUR/CCT
BMP-S1-02UH160CW700	12 VDC	200 mm	0.75	83	6500 K
BMP-S1-02UH160CW700-24V	24 VDC	140 mm	0.5	57	6500 K
BMP-S1-02UH160NW400	12 VDC	200 mm	0.75	80	4000 K
BMP-S1-02UH160WW300	12 VDC	200 mm	0.75	77	3000 K
BMP-S1-02UH160RC	12 VDC	200 mm	0.75	30	red
BMP-S1-02UH160GC	12 VDC	200 mm	0.75	50	green
BMP-S1-02UH160BC	12 VDC	200 mm	0.75	13	blue

**NOTE:** Modules are sold in full bags only, with a minimum order of one bag.

## PACKAGING INFORMATION

	CHAIN	BAG	BOX
12 VDC	50 pcs	100 pcs	1000 pcs
24 VDC	120 pcs	120 pcs	1200 pcs

5 YEARS WARRANTY

70 - 140

160°

7000 K

114 lm

1.0 W

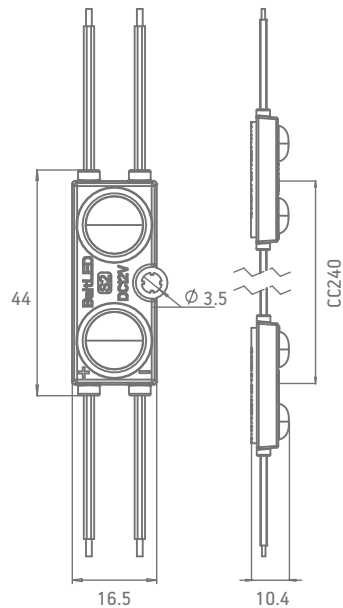
IP 67

L70 100 000 h

## GENERAL SPECIFICATIONS

SUPPLY VOLTAGE	12 VDC
POWER	1.0 W
RECOMMENDED DEPTH	From 70 to 140 mm
CC DISTANCE	240 mm
BINNING	3 SDCM
OPERATING TEMPERATURE	-30 °C ~ +60 °C
STORAGE TEMPERATURE	+5 °C ~ +50 °C
STORAGE CONDITIONS	Relative humidity <60%
LIFETIME	L70 100,000 h (6500K) L70 50,000 h (other colors)
CERTIFICATION	CE, UKCA, RoHS and UL compliant
WARRANTY	5 years (24/7)*

\*Warranty is applied only and if storage, mounting and maintenance conditions, stated in the installation guide, are followed.



Dimensions are in mm

## ORDERING INFORMATION

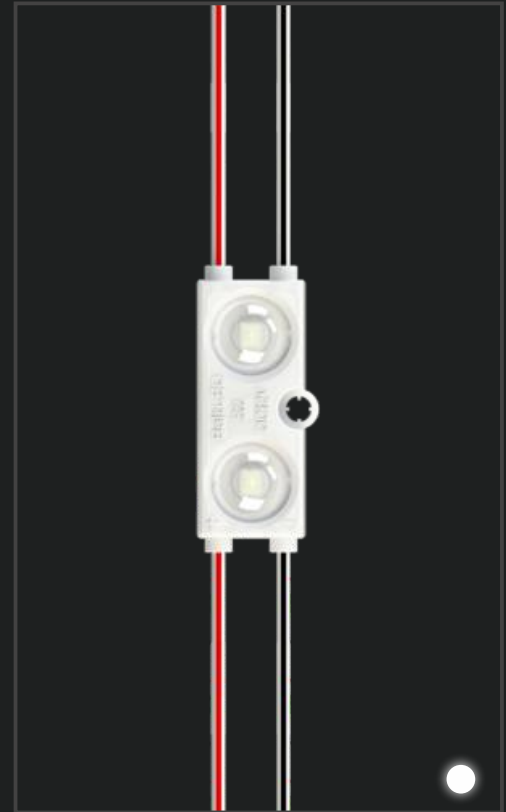
SKU	SUPPLY VOLTAGE	CC DISTANCE	POWER, W	LUMEN OUTPUT, LM	COLOUR/CCT
BMP-S2-02UH160CW700	12 VDC	240	1	114	6500 K

**NOTE:** Modules are sold in full bags only, with a minimum order of one bag.

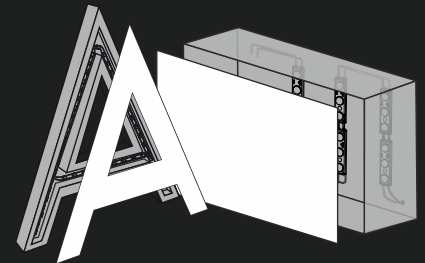
## PACKAGING INFORMATION

CHAIN	BAG	BOX
40 pcs	120 pcs	1080 pcs

# STELLAR 2



## APPLICATION



best at 70 - 140 mm depth

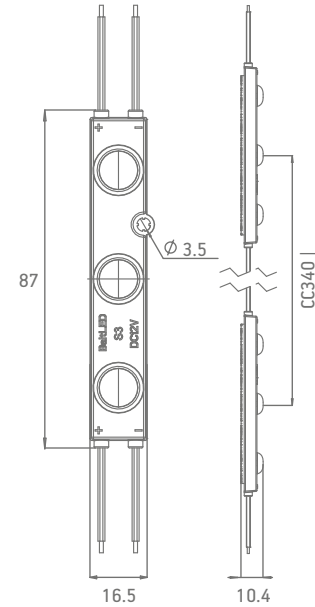
# STELLAR 3



## GENERAL SPECIFICATIONS

SUPPLY VOLTAGE	12 VDC
POWER	1.5 W
RECOMMENDED DEPTH	From 120 to 200 mm
CC DISTANCE	340 mm
BINNING	3 SDCM
OPERATING TEMPERATURE	-30 °C ~ +60 °C
STORAGE TEMPERATURE	+5 °C ~ +50 °C
STORAGE CONDITIONS	Relative humidity <60%
LIFETIME	L70 100,000 h (6500K) L70 50,000 h (other colors)
CERTIFICATION	CE, UKCA, RoHS and UL compliant
WARRANTY	5 years (24/7)*

\*Warranty is applied only and if storage, mounting and maintenance conditions, stated in the installation guide, are followed.



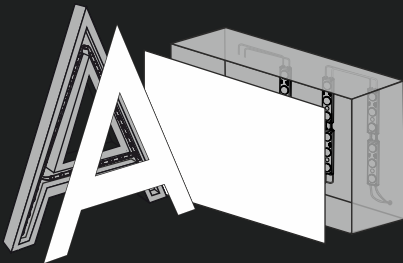
Dimensions are in mm

## ORDERING INFORMATION

SKU	POWER, W	LUMEN OUTPUT, LM	COLOUR/CCT
BMP-S3-03UH160CW700	1.5	176	6500 K
BMP-S3-03UH160WW301	1.5	152	3000 K

**NOTE:** Modules are sold in full bags only, with a minimum order of one bag.

## APPLICATION



best at 120 - 200 mm depth

## PACKAGING INFORMATION

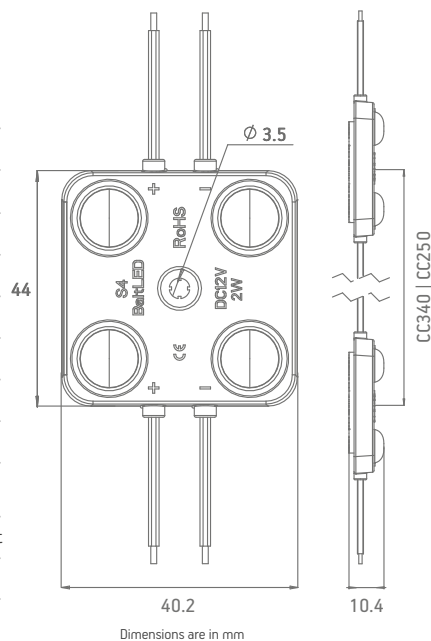
CHAIN	BAG	BOX
25 pcs	75 pcs	675 pcs



## GENERAL SPECIFICATIONS

SUPPLY VOLTAGE	12 VDC   24 VDC
POWER	2 W   1.4 W
RECOMMENDED DEPTH	From 140 to 300 mm
CC DISTANCE	340 mm   250 mm
BINNING	3 SDCM
OPERATING TEMPERATURE	-30 °C ~ +60 °C
STORAGE TEMPERATURE	+5 °C ~ +50 °C
STORAGE CONDITIONS	Relative humidity <60%
LIFETIME	L70 100,000 h (6500K) L70 50,000 h (other colors)
CERTIFICATION	CE, UKCA, RoHS and UL compliant
WARRANTY	5 years (24/7)*

\*Warranty is applied only and if storage, mounting and maintenance conditions, stated in the installation guide, are followed.



## ORDERING INFORMATION

SKU	SUPPLY VOLTAGE	CC DISTANCE	POWER, W	LUMEN OUTPUT, LM	COLOUR/CCT
BMP-S4-04UH160CW700	12 VDC	340 mm	2.0	237	6500 K
BMP-S4-04UH160CW700-24V	24 VDC	250 mm	1.4	161	6500 K

**NOTE:** Modules are sold in full bags only, with a minimum order of one bag.

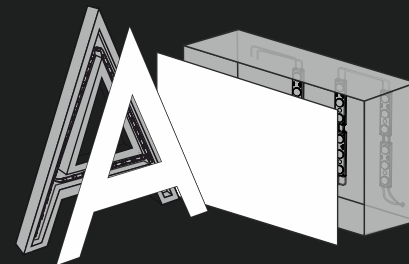
## PACKAGING INFORMATION

	CHAIN	BAG	BOX
12 VDC	20 pcs	60 pcs	420 pcs
24 VDC	50 pcs	50 pcs	350 pcs

# STELLAR 4



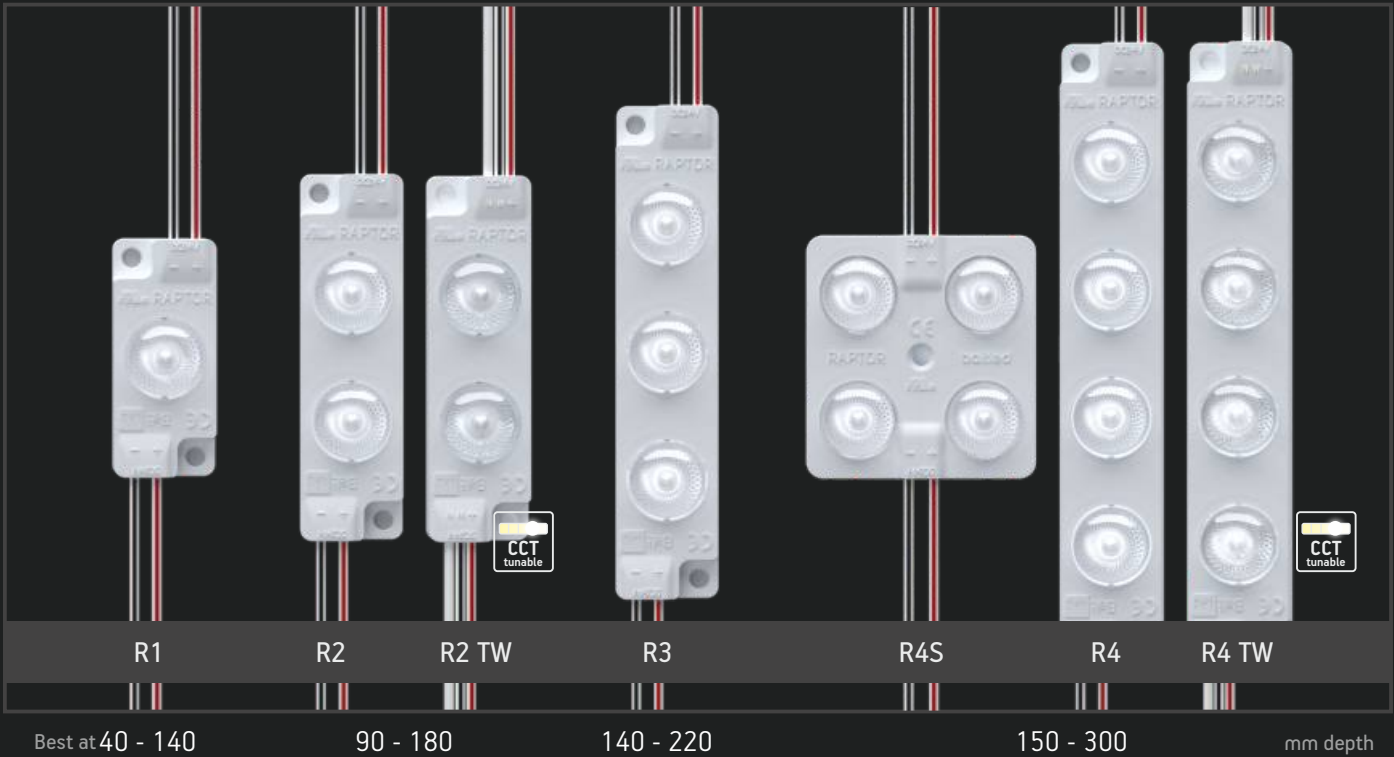
## APPLICATION



best at 140 - 300 mm depth

# RAPTOR SERIES

## FOR SINGLE-SIDED LIGHTBOXES



### CENTRE-TO-CENTRE DISTANCE, mm

DEPTH, mm	40	50	60	70	80	90	100	110	120	130	140	150	160	170	180	200	220	250	300		
<b>R1</b>	80	110	140	170	200	200	200	200	200	200	200										
<b>R2   R2 TW</b>						250	250	250	250	250	250	250	250	250	250	250					
<b>R3</b>												300	300	300	300	300	300	300			
<b>R4   R4 TW</b>													350	350	350	350	350	350	350	350	350

! Distances provided are based on testing in a lightbox with PLEXIGLAS® XT White WN770 GT, Translucency 30.0%. These are only recommendations and may vary based on application, cover material and other factors. For precise project calculation please contact us at [projects@balttled.com](mailto:projects@balttled.com)

5  
YEARS  
WARRANTY

40 - 140

178°

6500 K

120 lm

1.0 W

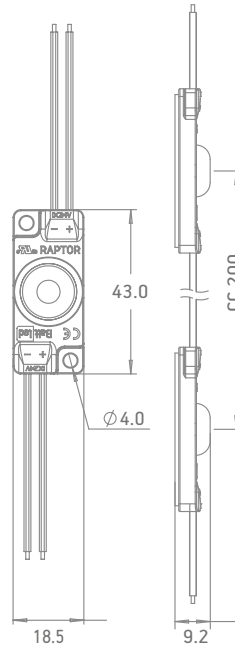
IP 67

L80  
75 000 h

## GENERAL SPECIFICATIONS

SUPPLY VOLTAGE	12 VDC   24 VDC
POWER	1.0 W   1.0W
RECOMMENDED DEPTH	From 40 to 140 mm
CC DISTANCE	200 mm
BINNING	3 SDCM
OPERATING TEMPERATURE	-20 °C ~ +50 °C
STORAGE TEMPERATURE	-30 °C ~ +60 °C
STORAGE CONDITIONS	Relative humidity <60%
LIFETIME	L80 75,000 h
CERTIFICATION	CE, UKCA, and RoHS compliant
WARRANTY	5 years (24/7)*

\*Warranty is applied only and if storage, mounting and maintenance conditions, stated in the installation guide, are followed.



Dimensions are in mm

## ORDERING INFORMATION

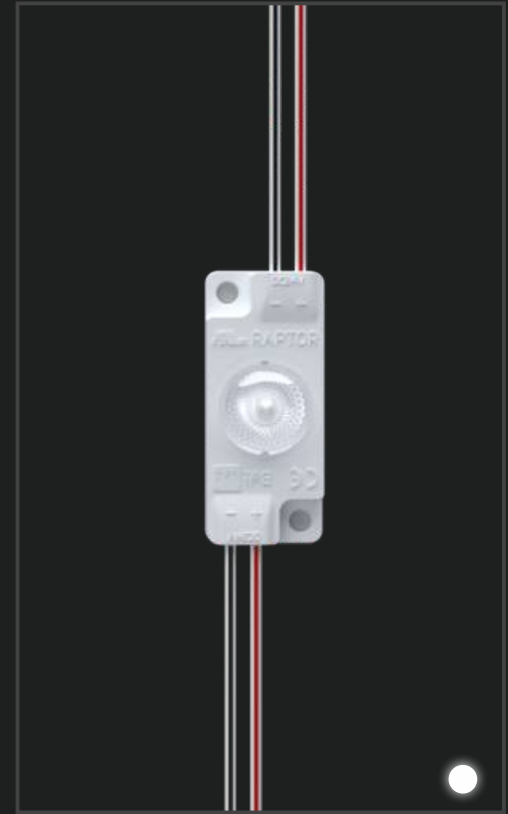
SKU	SUPPLY VOLTAGE	POWER, W	LUMEN OUTPUT, LM	COLOUR/CCT
BMP-R1-865E1.0	12 VDC	1.0	120	6500 K
BMP-R1-865E1.0-24V	24 VDC	1.0	110	6500 K

**NOTE:** Modules are sold in full bags only, with a minimum order of one bag.

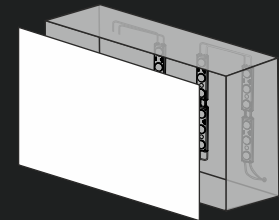
## PACKAGING INFORMATION

	CHAIN	BAG	BOX
12 VDC	40 pcs	80 pcs	800 pcs
24 VDC	80 pcs	80 pcs	800 pcs

# RAPTOR 1



## APPLICATION



best at 40 - 140 mm depth

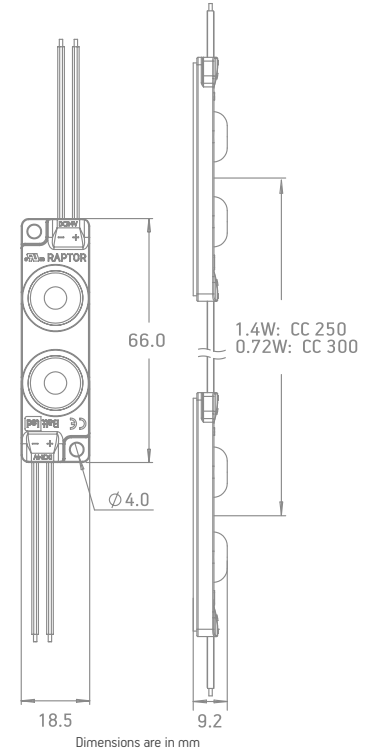
# RAPTOR 2



## GENERAL SPECIFICATIONS

SUPPLY VOLTAGE	24 VDC
POWER	0.72 W   1.4 W
RECOMMENDED DEPTH	From 90 to 180 mm
CC DISTANCE	300 mm   250 mm
BINNING	3 SDCM
OPERATING TEMPERATURE	-20 °C ~ +50 °C
STORAGE TEMPERATURE	-30 °C ~ +60 °C
STORAGE CONDITIONS	Relative humidity <60%
LIFETIME	L80 75,000 h
CERTIFICATION	CE, UKCA, and RoHS compliant
WARRANTY	5 years (24/7)*

\*Warranty is applied only and if storage, mounting and maintenance conditions, stated in the installation guide, are followed.

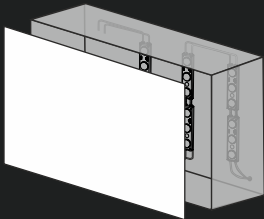


## ORDERING INFORMATION

SKU	POWER, W	CC DISTANCE, MM	LUMEN OUTPUT, LM	COLOUR/CCT
BMP-R2-865E1.4-24V	1.4	250	168	6500 K
BMP-R2-765E0.72-24V-HE	0.72	300	114	6500 K

**NOTE:** Modules are sold in full bags only, with a minimum order of one bag.

## APPLICATION



best at **90 - 180** mm depth

## PACKAGING INFORMATION

	CHAIN	BAG	BOX
<b>1.4 W</b>	60 pcs	60 pcs	720 pcs
<b>0.72 W</b>	50 pcs	50 pcs	700 pcs

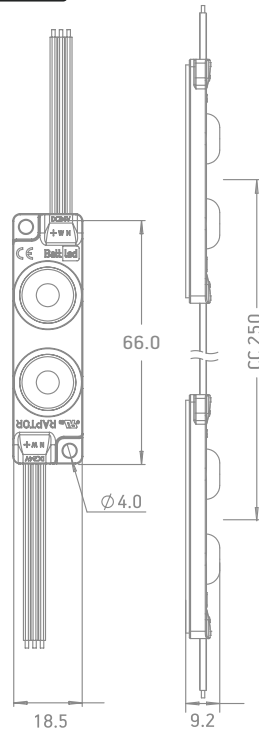




## GENERAL SPECIFICATIONS

SUPPLY VOLTAGE	24 VDC
POWER	1.4 W
RECOMMENDED DEPTH	From 90 to 180 mm
CC DISTANCE	250 mm
BINNING	3 SDCM
OPERATING TEMPERATURE	-20 °C ~ +50 °C
STORAGE TEMPERATURE	-30 °C ~ +60 °C
STORAGE CONDITIONS	Relative humidity <60%
LIFETIME	L80 75,000 h
CERTIFICATION	CE, UKCA, and RoHS compliant
WARRANTY	5 years (24/7)*

\*Warranty is applied only and if storage, mounting and maintenance conditions, stated in the installation guide, are followed.



Dimensions are in mm

## ORDERING INFORMATION

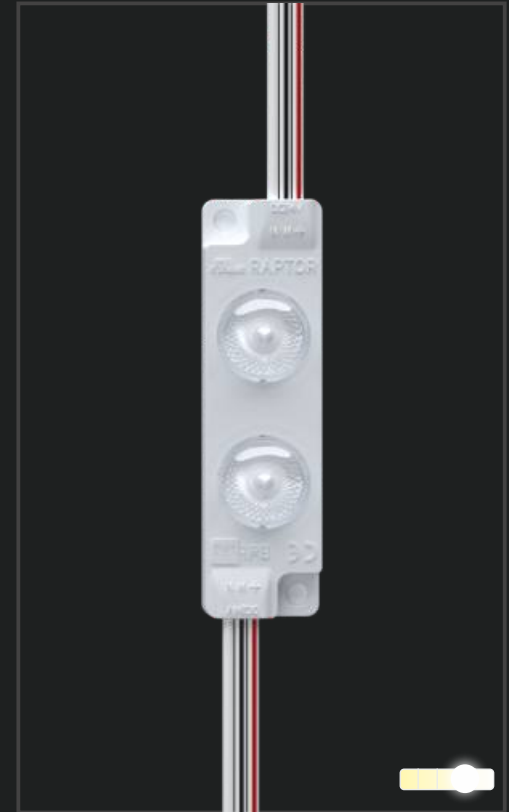
SKU	POWER, W	LUMEN OUTPUT, LM	COLOUR/CCT
BMP-R2-TWE1.4-24V	1.4	161 (TW)	3000K - 6500 K

**NOTE:** Modules are sold in full bags only, with a minimum order of one bag.

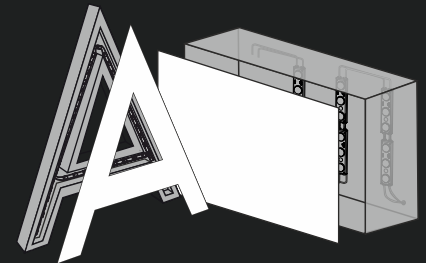
## PACKAGING INFORMATION

CHAIN	BAG	BOX
60 pcs	60 pcs	720 pcs

# RAPTOR 2 TW



## APPLICATION

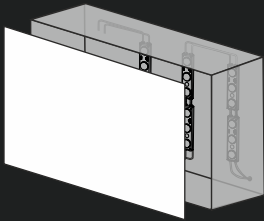


best at 90 - 180 mm depth

# RAPTOR 3



## APPLICATION



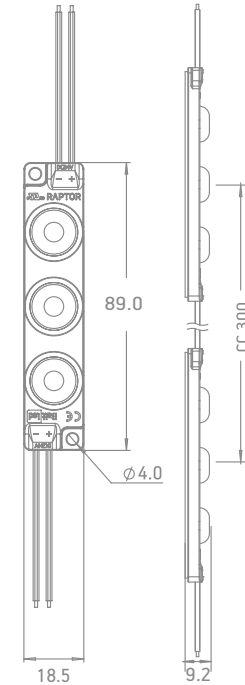
best at 140 - 220 mm depth



## GENERAL SPECIFICATIONS

SUPPLY VOLTAGE	24 VDC
POWER	1.8 W
RECOMMENDED DEPTH	From 140 to 220 mm
CC DISTANCE	300 mm
BINNING	3 SDCM
OPERATING TEMPERATURE	-20 °C ~ +50 °C
STORAGE TEMPERATURE	-30 °C ~ +60 °C
STORAGE CONDITIONS	Relative humidity <60%
LIFETIME	L80 75,000 h
CERTIFICATION	CE, UKCA, and RoHS compliant
WARRANTY	5 years (24/7)*

\*Warranty is applied only and if storage, mounting and maintenance conditions, stated in the installation guide, are followed.



Dimensions are in mm

## ORDERING INFORMATION

SKU	POWER, W	LUMEN OUTPUT, LM	COLOUR/CCT
BMP-R3-865E1.8-24V	1.8	209	6500 K

**NOTE:** Modules are sold in full bags only, with a minimum order of one bag.

## PACKAGING INFORMATION

CHAIN	BAG	BOX
50 pcs	50 pcs	450 pcs

5 YEARS WARRANTY

150 - 300

178°

6500 K

269 lm

2.2 W

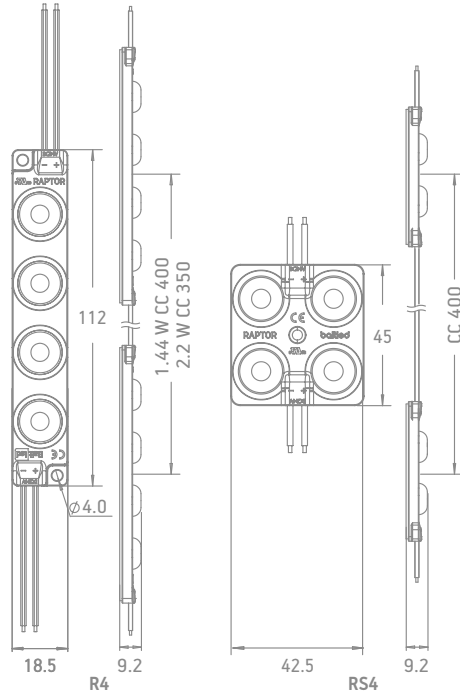
IP 67

L80 75 000 h

## GENERAL SPECIFICATIONS

SUPPLY VOLTAGE	24 VDC
POWER	1.44 W   2.2 W
RECOMMENDED DEPTH	From 150 to 300 mm
CC DISTANCE	400 mm   350 mm
BINNING	3 SDCM
OPERATING TEMPERATURE	-20 °C ~ +50 °C
STORAGE TEMPERATURE	-30 °C ~ +60 °C
STORAGE CONDITIONS	Relative humidity <60%
LIFETIME	L80 75,000 h
CERTIFICATION	CE, UKCA, RoHS compliant
WARRANTY	5 years (24/7)*

\*Warranty is applied only and if storage, mounting and maintenance conditions, stated in the installation guide, are followed.



Dimensions are in mm

## ORDERING INFORMATION

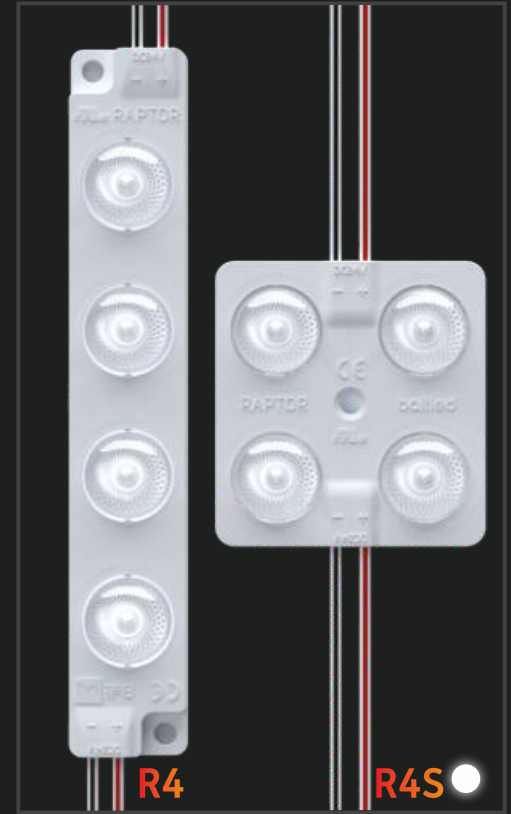
SKU	POWER, W	CC DISTANCE, MM	LUMEN OUTPUT, LM	COLOUR/CCT
BMP-R4-865E2.2-24V	2.2	350	269	6500 K
BMP-R4-765E1.44-24V-HE	1.44	400	236	6500 K
BMP-R4S-765E1.44-24V-HE	1.44	400	236	6500 K

**NOTE:** Modules are sold in full bags only, with a minimum order of one bag.

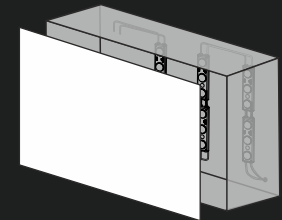
## PACKAGING INFORMATION

	CHAIN	BAG	BOX
2.2 W	40 pcs	40 pcs	400 pcs
1.44 W	30 pcs	30 pcs	390 pcs

# RAPTOR 4

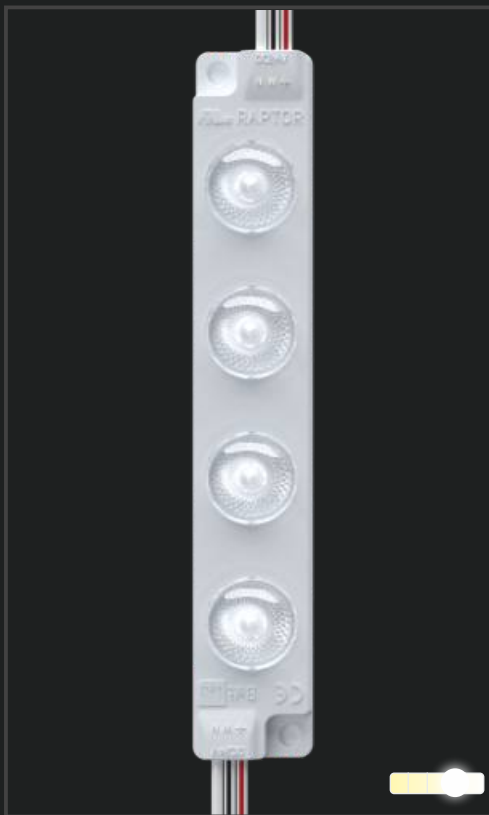


## APPLICATION



best at 150 - 300 mm depth

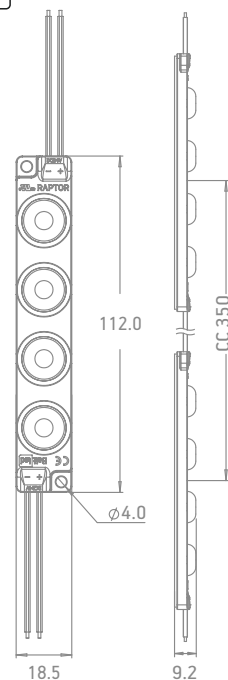
# RAPTOR 4 TW



## GENERAL SPECIFICATIONS

SUPPLY VOLTAGE	24 VDC
POWER	2.2 W
RECOMMENDED DEPTH	From 150 to 300 mm
CC DISTANCE	350 mm
BINNING	3 SDCM
OPERATING TEMPERATURE	-20 °C ~ +50 °C
STORAGE TEMPERATURE	-30 °C ~ +60 °C
STORAGE CONDITIONS	Relative humidity <60%
LIFETIME	L80 75,000 h
CERTIFICATION	CE, UKCA, RoHS and UL compliant
WARRANTY	5 years (24/7)*

\*Warranty is applied only and if storage, mounting and maintenance conditions, stated in the installation guide, are followed.



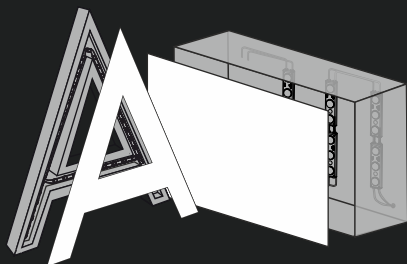
Dimensions are in mm

## ORDERING INFORMATION

SKU	POWER, W	LUMEN OUTPUT, LM	COLOUR/CCT
BMP-R4-TWE2.2-24V	2.2	250 (TW)	3000K - 6500 K (4300 K TW)

**NOTE:** Modules are sold in full bags only, with a minimum order of one bag.

## APPLICATION



best at 150 - 300 mm depth

## PACKAGING INFORMATION

CHAIN	BAG	BOX
40 pcs	40 pcs	400 pcs

# PREMIUM: NITRO SERIES

## FOR SINGLE-SIDED APPLICATIONS



CENTRE-TO-CENTRE DISTANCE, mm

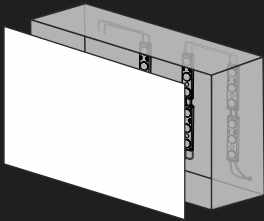
DEPTH, mm	50	60	70	80	90	100	110	120	130	140	150
<b>NITRO 1</b>	110	140	170	200	200	200	200	200	200	200	200

! Distances provided are based on testing in a lightbox with PLEXIGLAS® XT White WN770 GT, Translucency 30.0%. These are only recommendations and may vary based on application, cover material and other factors. For precise project calculation please contact us at [projects@battled.com](mailto:projects@battled.com)

# NITRO 1



## APPLICATION



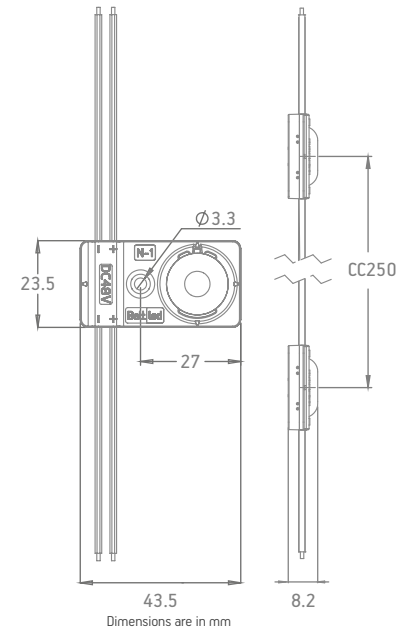
best at **50 - 150** mm depth



## GENERAL SPECIFICATIONS

SUPPLY VOLTAGE	24 VDC
POWER	1.2 W
RECOMMENDED DEPTH	From 50 to 150 mm
CC DISTANCE	250 mm
BINNING	3 SDCM
OPERATING TEMPERATURE	-20 °C ~ +50 °C
STORAGE TEMPERATURE	-30 °C ~ +60 °C
STORAGE CONDITIONS	Relative humidity <60%
LIFETIME	L70 120,000 h
CERTIFICATION	CE, UKCA, RoHS compliant
WARRANTY	10 years*

\*Warranty is applied only and if storage, mounting and maintenance conditions, stated in the installation guide, are followed.



## ORDERING INFORMATION

SKU	POWER, W	LUMEN OUTPUT, LM	COLOUR/CCT
BME-N1-865E1.2-24V	1.2	138	6500 K

**NOTE:** Modules are sold in full bags only, with a minimum order of one bag.

## PACKAGING INFORMATION

CHAIN	BAG	BOX
70 pcs	140 pcs	840 pcs

# MINI SERIES

## FOR SMALL CHANNEL & ACRYLIC BLOCK LETTERS

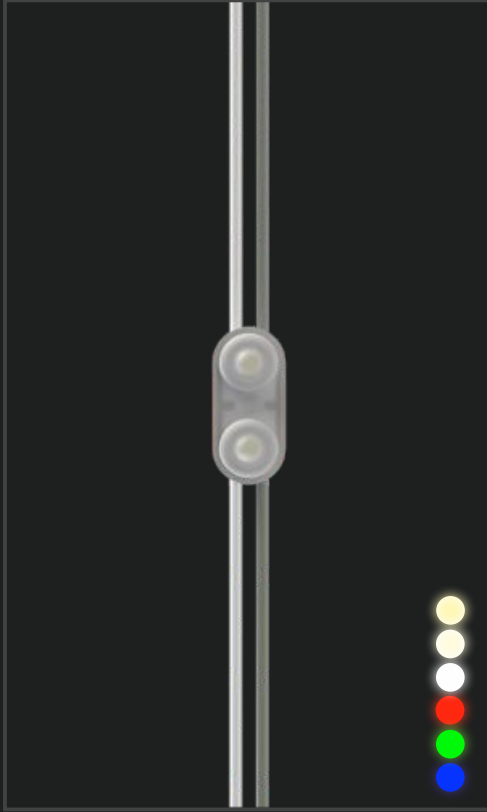


### CENTRE-TO-CENTRE DISTANCE, mm

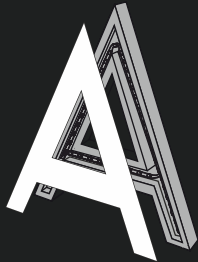
DEPTH WIDTH	20	30	40	50	60
20	40	50	70	85	85
40	30	50	70	85	85
60	30	45	60	85	85
80		40	60	85	85
100				85	85

! Distances provided are based on testing in a lightbox with PLEXIGLAS® XT White WN070 GT, translucency 30.0%. These are only recommendations and may vary based on application, cover material and other factors. For precise project calculation please contact us at [projects@baltled.com](mailto:projects@baltled.com)

# MINI HE



## APPLICATION



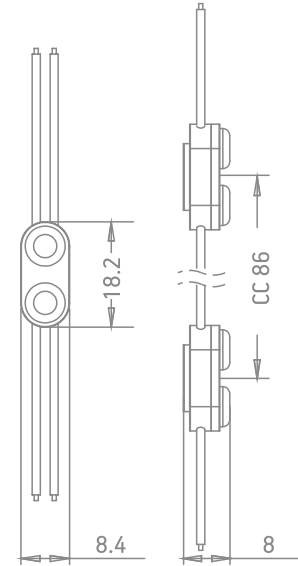
best at 20 - 60 mm depth



## GENERAL SPECIFICATIONS

SUPPLY VOLTAGE	12 VDC   24 VDC
POWER	0.2 W
RECOMMENDED DEPTH	From 20 to 60 mm
CC DISTANCE	86 mm
BINNING	3 SDCM
OPERATING TEMPERATURE	-20 °C ~ +50 °C
STORAGE TEMPERATURE	-30 °C ~ +60 °C
STORAGE CONDITIONS	Relative humidity <60%
LIFETIME	L80 70,000 h (white)
CERTIFICATION	CE, UKCA and RoHS compliant
WARRANTY	5 years*

\*Warranty is applied only and if storage, mounting and maintenance conditions, stated in the installation guide, are followed.



Dimensions are in mm

## ORDERING INFORMATION

SKU	SUPPLY VOLTAGE	POWER, W	LUMEN OUTPUT, LM	COLOUR / CCT
BMP-5M-H765E0.2	12	0.2	32	6500 K
BMP-5M-H740E0.2	12	0.2	32	4000 K
BMP-5M-H730E0.2	12	0.2	30	3000 K
BMP-5M-H7RE0.2	12	0.2	10	red
BMP-5M-H7GE0.2	12	0.2	18	green
BMP-5M-H7BE0.2	12	0.2	3	blue
BMP-5M-H765E0.2-24V	24	0.2	32	6500 K
BMP-5M-H740E0.2-24V	24	0.2	32	4000 K
BMP-5M-H730E0.2-24V	24	0.2	30	3000 K
BMP-5M-H7RE0.2-24V	24	0.2	10	red

**NOTE:** Modules are sold in full bags only, with a minimum order of one bag.

## PACKAGING INFORMATION

	CHAIN	BAG	BOX
12V	40 pcs	80 pcs	3360 pcs
24V	80 pcs	80 pcs	3360 pcs

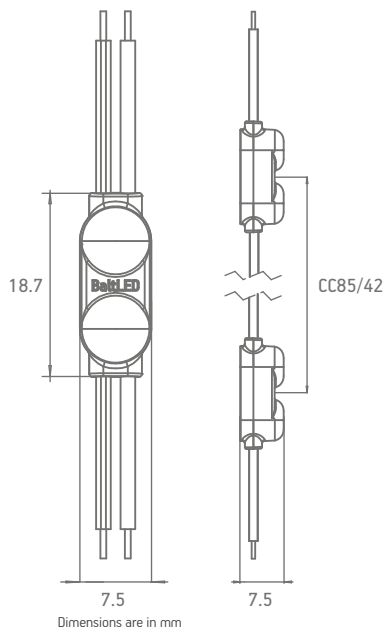




## GENERAL SPECIFICATIONS

SUPPLY VOLTAGE	12 VDC
POWER	0.3 W
RECOMMENDED DEPTH	From 20 to 60 mm
CC DISTANCE	85 mm, 42 mm
BINNING	3 SDCM
OPERATING TEMPERATURE	-30 °C ~ +50 °C
STORAGE TEMPERATURE	+5 °C ~ +70 °C
STORAGE CONDITIONS	Relative humidity <60%
LIFETIME	L70 50,000 h (white)
CERTIFICATION	CE, UKCA and RoHS compliant
WARRANTY	5 years*

\*Warranty is applied only and if storage, mounting and maintenance conditions, stated in the installation guide, are followed.



Dimensions are in mm

## ORDERING INFORMATION

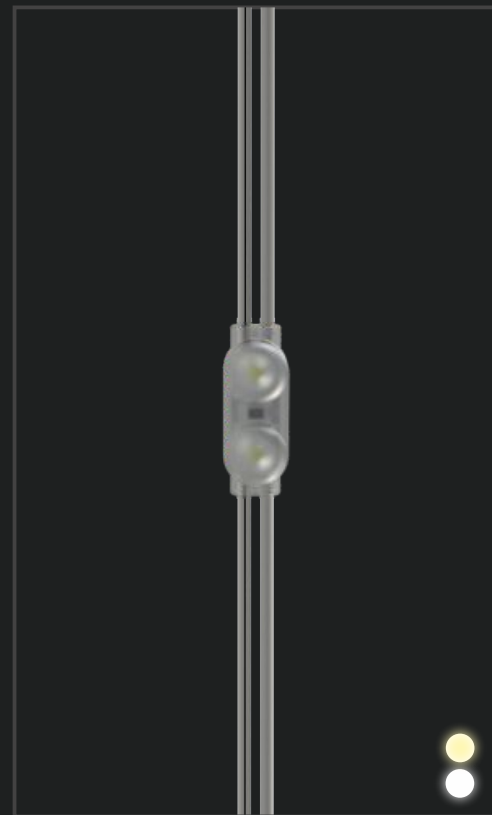
SKU	CC DISTANCE, MM	POWER, W	LUMEN OUTPUT, LM	COLOUR / CCT
BMP-5M-02UH160CW70	85	0.3	28	6500 ± 250 K
BMP-5M-02UH160WW30	85	0.3	27	3000 ± 200 K
BMP-5M-02UH160CW70CC	42	0.3	28	6500 ± 250 K
BMP-5M-02UH160WW30CC	42	0.3	27	3000 ± 200 K

**NOTE:** Modules are sold in full bags only, with a minimum order of one bag.

## PACKAGING INFORMATION

CHAIN	BAG	BOX
50 pcs	100 pcs	2000 pcs

# MINI



## APPLICATION



best at 20 - 60 mm depth

**OTHER SOLUTIONS**  
FOR SINGLE-SIDED APPLICATIONS

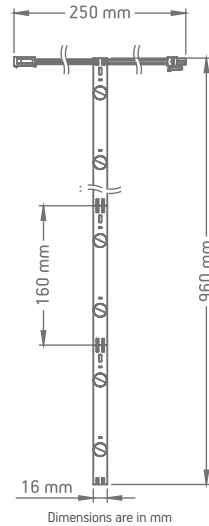




## GENERAL SPECIFICATIONS

SUPPLY VOLTAGE	24 VDC
POWER	10 W
RECOMMENDED DEPTH	From 50 to 80 mm
OPERATING TEMPERATURE	-30 °C ~ +50 °C
STORAGE TEMPERATURE	+5 °C ~ +70 °C
STORAGE CONDITIONS	Relative humidity <60%
LIFETIME	L80 50,000 h
CERTIFICATION	UKCA, CE and RoHS compliant
WARRANTY	5 years*

\*Warranty is applied only and if storage, mounting and maintenance conditions, stated in the installation guide, are followed.



## ORDERING INFORMATION

SKU	POWER, W	LUMEN OUTPUT, LM	COLOUR
BLBP-1000A170865I10	10.0	1273	6500 K
BLBP-1000A170840I10	10.0	1221	4000 K
BLBP-DKIT	Additional connector kit		

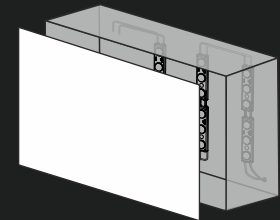
## PACKAGING INFORMATION

PCS. per BOX	WEIGHT per	
	BOX, KG	PCS, KG
200	14	0.07 kg

# BACKLIT BAR



## APPLICATION



best at 50 - 80 mm depth

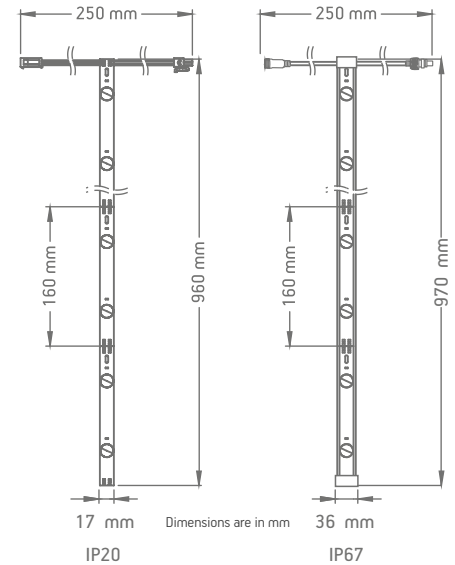
# BACKLIT HE BAR



## GENERAL SPECIFICATIONS

SUPPLY VOLTAGE	24 VDC
POWER	10 W
RECOMMENDED DEPTH	From 50 to 80 mm
OPERATING TEMPERATURE	-30 °C ~ +50 °C
STORAGE TEMPERATURE	+5 °C ~ +70 °C
STORAGE CONDITIONS	Relative humidity <60%
LIFETIME	L80 50,000 h
CERTIFICATION	UKCA, CE and RoHS compliant
WARRANTY	5 years*

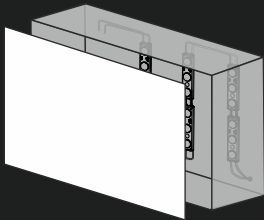
\*Warranty is applied only and if storage, mounting and maintenance conditions, stated in the installation guide, are followed.



## ORDERING INFORMATION

SKU	IP CLASS	POWER, W	LUMEN OUTPUT, LM	COLOUR
BLBP-1000A170865I10-HE	IP20	10.0	1506	6500 K
BLBP-1000A170865E10-HE	IP67	10.0	1506	6500 K
BLBP-DKIT-2-IP20	Additional connector kit			
BLBP-DKIT-2-IP67	Additional connector kit			

## APPLICATION



best at 50 - 80 mm depth

## PACKAGING INFORMATION

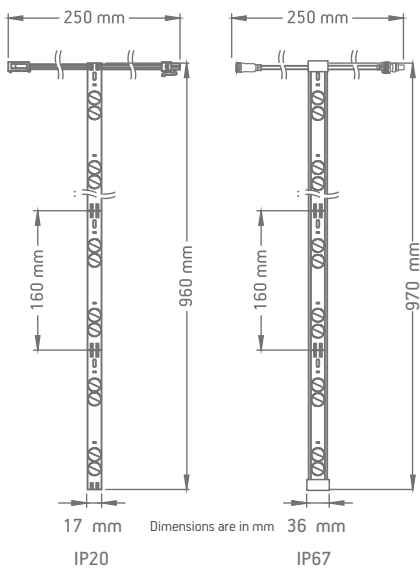
PCS. per BOX	WEIGHT per BOX, KG
200	13.5



## GENERAL SPECIFICATIONS

SUPPLY VOLTAGE	24 VDC
POWER	20 W
RECOMMENDED DEPTH	From 50 to 80 mm
OPERATING TEMPERATURE	-30 °C ~ +50 °C
STORAGE TEMPERATURE	+5 °C ~ +70 °C
STORAGE CONDITIONS	Relative humidity <60%
LIFETIME	L80 50,000 h
CERTIFICATION	UKCA, CE and RoHS compliant
WARRANTY	5 years*

\*Warranty is applied only and if storage, mounting and maintenance conditions, stated in the installation guide, are followed.



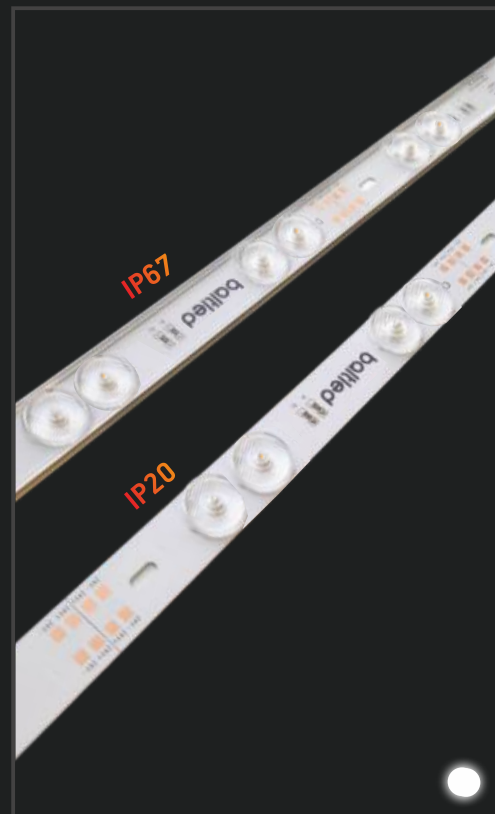
## ORDERING INFORMATION

SKU	IP CLASS	POWER, W	LUMEN OUTPUT, LM	COLOUR
BLBP-1000A1708TWI20-HE	IP20	20.0	1656-1780	2700K - 6500 K
BLBP-1000A1708TWE20-HE	IP67	20.0	1656-1780	2700K - 6500 K
BLBP-DKIT-3-IP20	additional connector kit for BLBP-1000A1708TWI20-HE			
BLBP-DKIT-3-IP67	additional connector kit for BLBP-1000A1708TWE20-HE			

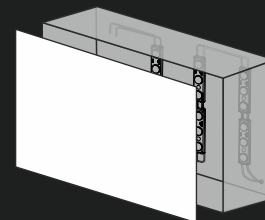
## PACKAGING INFORMATION

PCS. per BOX	WEIGHT per BOX, KG
200	13.5

# BACKLIT TW BAR

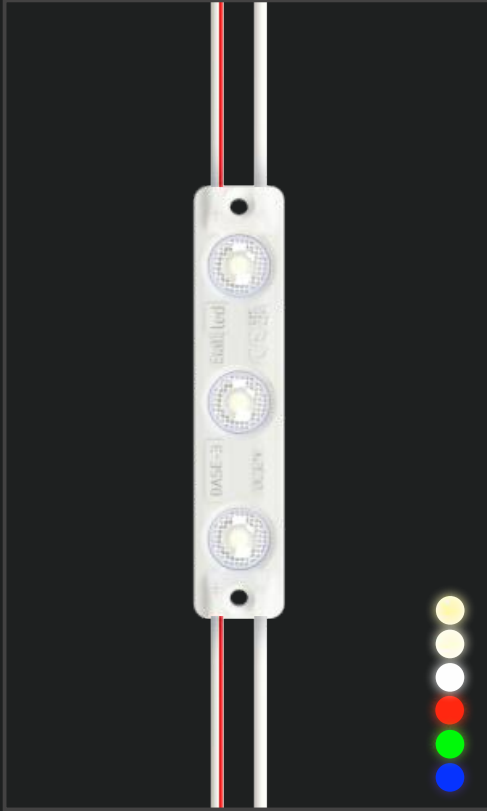


## APPLICATION

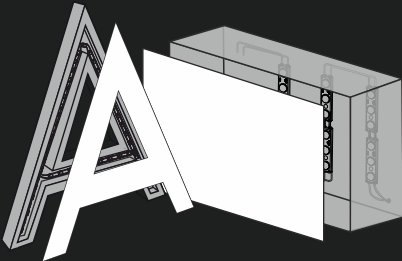


best at **50 - 80** mm depth

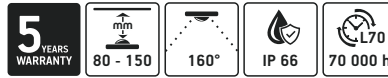
# BASE 3



## APPLICATION



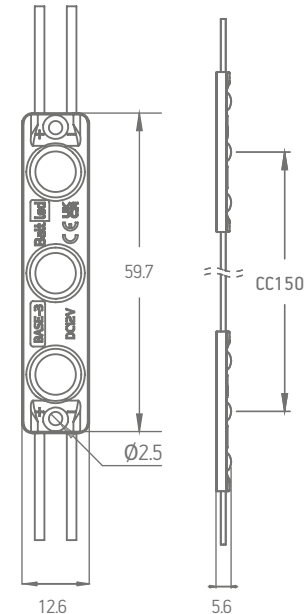
best at 80 - 150 mm depth



## GENERAL SPECIFICATIONS

SUPPLY VOLTAGE	12 VDC
POWER	0.72 W   0.96 W
RECOMMENDED DEPTH	From 80 to 150 mm
CC DISTANCE	150 mm
OPERATING TEMPERATURE	-20 °C ~ +50 °C
STORAGE TEMPERATURE	-30 °C ~ +60 °C
STORAGE CONDITIONS	Relative humidity <60%
LIFETIME	L70 70,000 h
CERTIFICATION	CE, UKCA, RoHS and UL compliant
WARRANTY	5 years*

\* Warranty is applied only and if storage, mounting and maintenance conditions, stated in the installation guide, are followed.



Dimensions are in mm

## ORDERING INFORMATION

SKU	POWER, W	LUMEN OUTPUT, LM	COLOUR / CCT
BMP-S3-03UH160NW096-B3	0.96	146	4000 K
BMP-S3-03UH160WW096-B3	0.96	143	3000 K
BMP-S3-03UH160CW096-B3	0.96	150	6500 K - 7000 K
BMP-S3-03UH160G072-B3	0.72	74	green
BMP-S3-03UH160B072-B3	0.72	16	red
BMP-S3-03UH160R072-B3	0.72	27	blue

**NOTE:** Modules are sold in full bags only, with a minimum order of one bag.

## PACKAGING INFORMATION

CHAIN	BAG	BOX
20 pcs	100 pcs	1400 pcs

5 YEARS WARRANTY

60 - 150

160°

RGB | RGBW

29 lm

0.72 W

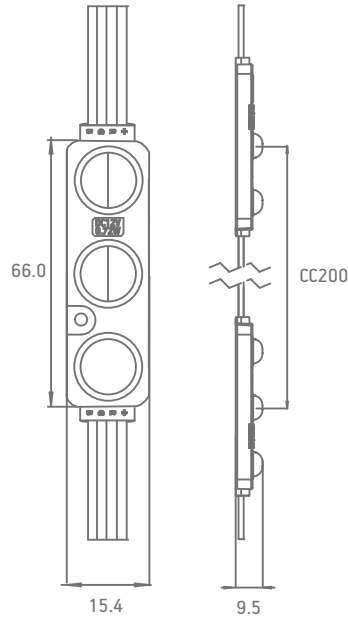
IP 65

L70 50 000 h

## GENERAL SPECIFICATIONS

SUPPLY VOLTAGE	12 VDC
POWER	0.72 W
RECOMMENDED DEPTH	From 60 to 150 mm
CC DISTANCE	200 mm
OPERATING TEMPERATURE	-25 °C ~ +55 °C
STORAGE TEMPERATURE	-40 °C ~ +85 °C
STORAGE CONDITIONS	Relative humidity <60%
LIFETIME	L70 50,000 h
CERTIFICATION	CE, UKCA and RoHS compliant
WARRANTY	5 years*

\* Warranty is applied only and if storage, mounting and maintenance conditions, stated in the installation guide, are followed.



Dimensions are in mm

## ORDERING INFORMATION

SKU	POWER, W	LUMEN OUTPUT, LM	COLOUR / CCT
BMOP-RGB-LE3A160E072	0.72	29	RGB
BMOP-RGBW-LE3A160E072	0.72	49	RGBW

**NOTE:** Modules are sold in full bags only, with a minimum order of one bag,

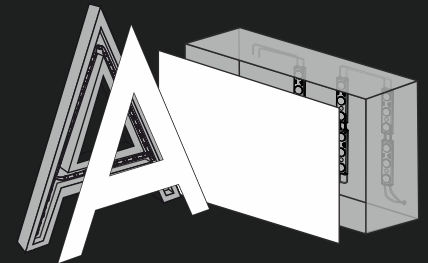
## PACKAGING INFORMATION

CHAIN	BAG	BOX
20 pcs	100 pcs	600 pcs

# RGB | RGBW



## APPLICATION

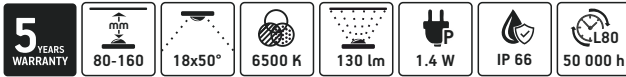


best at 60 - 150 mm depth

**SOLUTIONS FOR DOUBLE-SIDED**  
**AND OTHER APPLICATIONS**



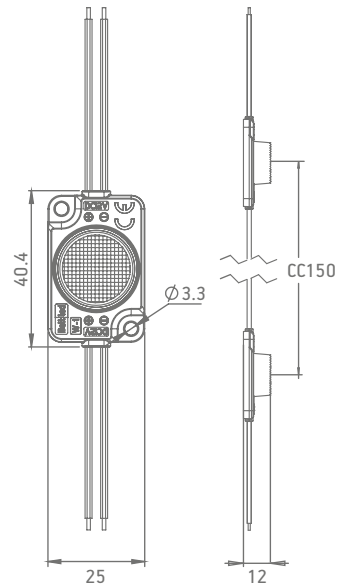




## GENERAL SPECIFICATIONS

SUPPLY VOLTAGE	12 VDC
POWER	1.4 W
RECOMMENDED DEPTH	From 80 to 160 mm
CC DISTANCE	150 mm
OPERATING TEMPERATURE	-20 °C ~ +50 °C
STORAGE TEMPERATURE	-30 °C ~ +60 °C
STORAGE CONDITIONS	Relative humidity <60%
CERTIFICATION	CE, UKCA and RoHS compliant
LIFETIME	L80 50,000 h
WARRANTY	5 years*

\*Warranty is applied only and if storage, mounting and maintenance conditions, stated in the installation guide, are followed.



Dimensions are in mm

## ORDERING INFORMATION

SKU	POWER, W	LUMEN OUTPUT, LM	COLOUR / CCT
BMP-W1-DS865E1.4	1.4	130	6500 K
BMP-W1-DS840E1.4	1.4	130	4000 K
BMP-W1-DS830E1.4	1.4	118	3000 K

**NOTE:** Modules are sold in full bags only, with a minimum order of one bag.

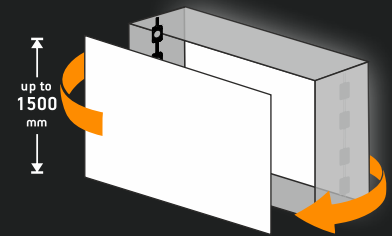
## PACKAGING INFORMATION

CHAIN	BAG	BOX
30 pcs	90 pcs	630 pcs

# DUO W1



## APPLICATION



best at 80 - 160 mm depth

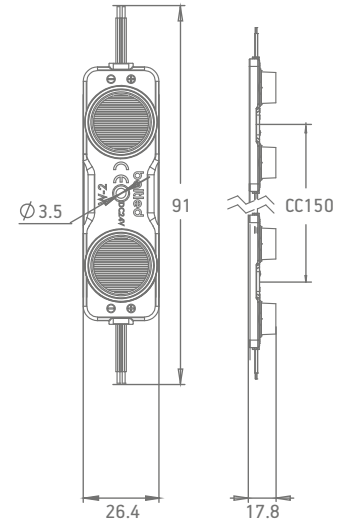
# DUO W2



## GENERAL SPECIFICATIONS

SUPPLY VOLTAGE	24 VDC
POWER	2.0 W
RECOMMENDED DEPTH	From 140 to 250 mm
CC DISTANCE	150 mm
OPERATING TEMPERATURE	-20 °C ~ +50 °C
STORAGE TEMPERATURE	-30 °C ~ +60 °C
STORAGE CONDITIONS	Relative humidity <60%
CERTIFICATION	CE, UKCA and RoHS compliant
LIFETIME	L80 50,000 h
WARRANTY	5 years*

\*Warranty is applied only and if storage, mounting and maintenance conditions, stated in the installation guide, are followed.



Dimensions are in mm

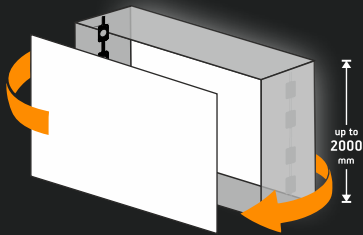
## ORDERING INFORMATION\*

SKU	POWER, W	LUMEN OUTPUT, LM	COLOUR / CCT
BMP-W2-DS765E2	2.0	250	6500 K

**NOTE:** Modules are sold in full bags only, with a minimum order of one bag.

\*Expected to be in stock starting Q1 2025.

## APPLICATION



best at 140 - 250 mm depth

## PACKAGING INFORMATION

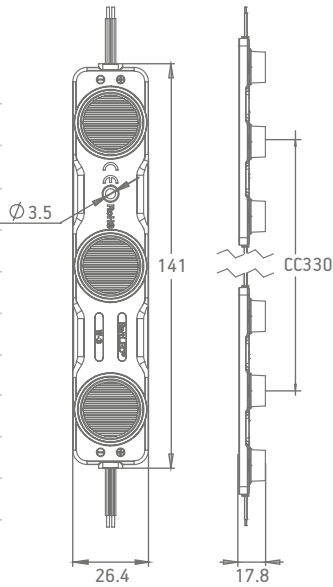
CHAIN	BAG	BOX
40 pcs	40 pcs	160 pcs



## GENERAL SPECIFICATIONS

SUPPLY VOLTAGE	24 VDC
POWER	3.6 W
RECOMMENDED DEPTH	From 140 to 250 mm
CC DISTANCE	330 mm
OPERATING TEMPERATURE	-20 °C ~ +50 °C
STORAGE TEMPERATURE	-30 °C ~ +60 °C
STORAGE CONDITIONS	Relative humidity <60%
CERTIFICATION	CE, UKCA, RoHS and UL compliant
LIFETIME	L80 50,000 h
WARRANTY	5 years*

\*Warranty is applied only and if storage, mounting and maintenance conditions, stated in the installation guide, are followed.



Dimensions are in mm

## ORDERING INFORMATION

SKU	POWER, W	LUMEN OUTPUT, LM	COLOUR / CCT
BMP-W3-DS865E3.6	3.6	300	6500 K

**NOTE:** Modules are sold in full bags only, with a minimum order of one bag.

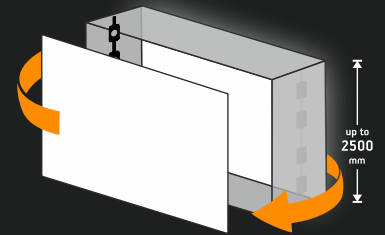
## PACKAGING INFORMATION

CHAIN	BAG	BOX
10 pcs	20 pcs	160 pcs

# DUO W3

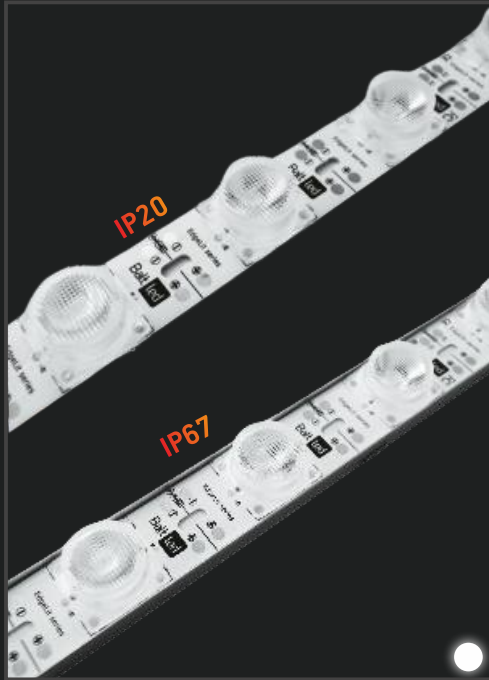


## APPLICATION

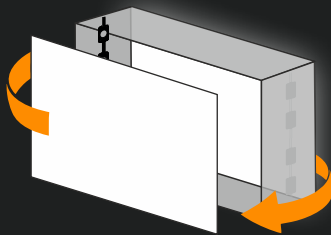


best at 140 - 250 mm depth

# EDGE LIT BAR



## APPLICATION



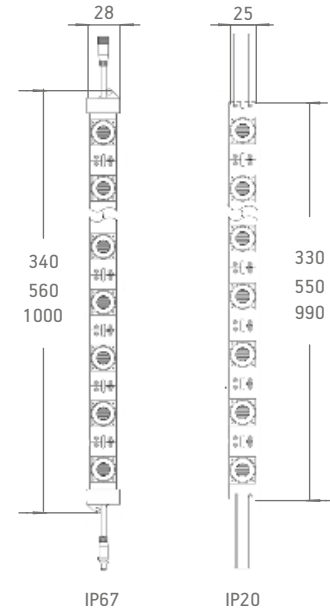
best at 100 - 250 mm depth



## GENERAL SPECIFICATIONS

SUPPLY VOLTAGE	24 VDC
POWER	10 W   17 W   30 W
RECOMMENDED DEPTH	From 100 to 250 mm
OPERATING TEMPERATURE	-30 °C ~ +50 °C
STORAGE TEMPERATURE	+5 °C ~ +70 °C
STORAGE CONDITIONS	Relative humidity <60%
LIFETIME	L70 50,000 h
CERTIFICATION	CE and RoHS compliant
WARRANTY	5 years*

\*Warranty is applied only and if storage, mounting and maintenance conditions, stated in the installation guide, are followed.



Dimensions are in mm

## ORDERING INFORMATION

SKU	IP CLASS	POWER, W	LUMEN OUTPUT, LM	COLOUR
BLBP-340A15x4565E10	IP67	10.0	750	6500 K
BLBP-560A15x4565E17	IP67	17.0	1275	6500 K
BLBP-1000A15x4565E30	IP67	30.0	2250	6500 K
BLBP-330A15x4565I10	IP20	10.0	750	6500 K
BLBP-550A15x4565I17	IP20	17.0	1275	6500 K
BLBP-990A15x4565I30	IP20	30.0	2250	6500 K
BLBP-CKIT	Additional connector kit			

## PACKAGING INFORMATION

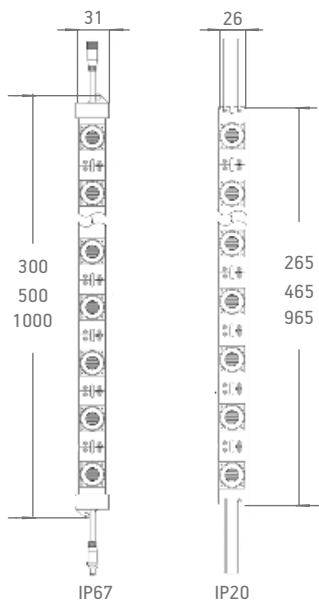
SKU	QTY/BOX
BLBP-340A15x4565E10	120 pcs
BLBP-560A15x4565E17	80 pcs
BLBP-1000A15x4565E30	40 pcs
BLBP-330A15x4565I10	120 pcs
BLBP-550A15x4565I17	80 pcs
BLBP-990A15x4565I30	40 pcs



## GENERAL SPECIFICATIONS

SUPPLY VOLTAGE	24 VDC
POWER	6 W   10 W   20 W
RECOMMENDED DEPTH	From 100 to 250 mm
OPERATING TEMPERATURE	-30 °C ~ +50 °C
STORAGE TEMPERATURE	+5 °C ~ +70 °C
STORAGE CONDITIONS	Relative humidity <60%
LIFETIME	L70 50,000 h
CERTIFICATION	CE and RoHS compliant
WARRANTY	5 years*

\*Warranty is applied only and if storage, mounting and maintenance conditions, stated in the installation guide, are followed.



Dimensions are in mm

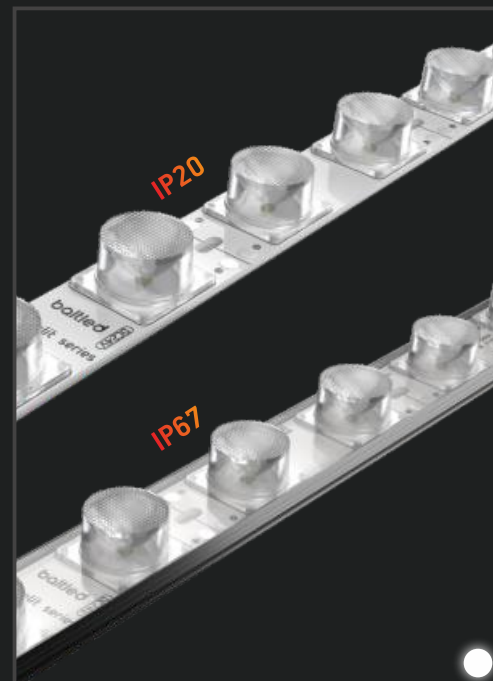
## ORDERING INFORMATION

SKU	IP CLASS	POWER, W	LUMEN OUTPUT, LM	COLOUR
BLBP-300A15x4565E6-HE	IP67	6.0	900	6500 K
BLBP-500A15x4565E10-HE	IP67	10.0	1500	6500 K
BLBP-1000A15x4565E20-HE	IP67	20.0	3000	6500 K
BLBP-265A15x4565I6-HE	IP20	6.0	900	6500 K
BLBP-465A15x4565I10-HE	IP20	10.0	1500	6500 K
BLBP-965A15x4565I20-HE	IP20	20.0	3000	6500 K
BLBP-EKIT-2-IP20	Additional connector kit			
BLBP-EKIT-2-IP67	Additional connector kit			

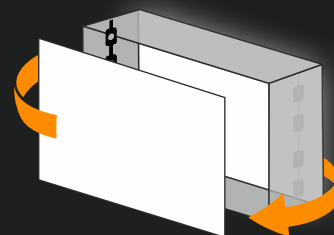
## PACKAGING INFORMATION

POWER	QTY/BOX
6 W	120 pcs
10 W	80 pcs
20 W	40 pcs

# EDGELIT HE BAR



## APPLICATION

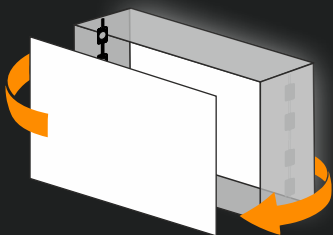


best at 100 - 250 mm depth

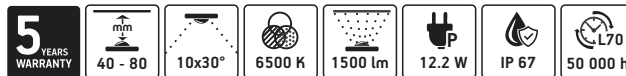
# EDGE LIT SLIM BAR



## APPLICATION



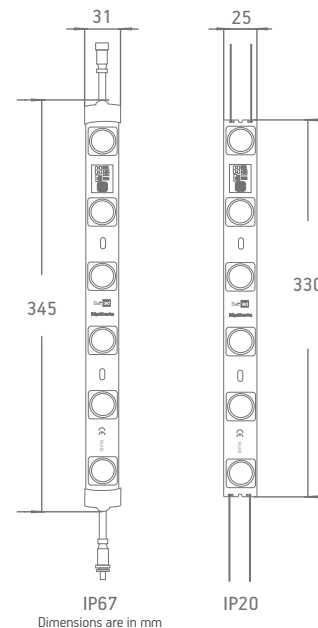
best at **40 - 80 mm** depth



## GENERAL SPECIFICATIONS

SUPPLY VOLTAGE	24 VDC
POWER	12.2 W
RECOMMENDED DEPTH	From 40 to 80 mm
OPERATING TEMPERATURE	-30 °C ~ +50 °C
STORAGE TEMPERATURE	+5 °C ~ +70 °C
STORAGE CONDITIONS	Relative humidity <60%
LIFETIME	L70 50,000 h
CERTIFICATION	CE and RoHS compliant
WARRANTY	5 years*

\*Warranty is applied only and if storage, mounting and maintenance conditions, stated in the installation guide, are followed.



## ORDERING INFORMATION

SKU	IP CLASS	POWER, W	LUMEN OUTPUT, LM	COLOUR
BLBP-340A10x3065E12	IP67	12.2	1500	6500 K
BLBP-340A10x3065I12	IP20	12.2	1500	6500 K
BLBP-CKIT	Additional connector kit			

\* For precise lead time, contact your Customer Service manager.

## PACKAGING INFORMATION

SKU	WEIGHT	QTY/BOX	WEIGHT/BOX
BLBP-340A10x3065E12	0.165 kg	40 pcs	44.7 kg
BLBP-340A10x3065I12	0.0745 kg	80 pcs	20.55 kg

**SOLUTIONS FOR ACCENT LIGHTING**  
**AND OTHER APPLICATIONS**



# LINELIT



## APPLICATION

- Aluminium profiles
- Side lighting
- Signs
- General lighting
- Office lighting



## GENERAL SPECIFICATIONS

SUPPLY VOLTAGE	24 VDC
POWER	9.6 W   20 W   22.4 W
CRI	80
LEDs PER METER	120   140   224
CUTTING STEP	50 mm   35.7 mm
BINNING	3 SDCM (3000 K   4000 K) 5 SDCM (6500 K)
OPERATING TEMPERATURE	-20 °C ~ +40 °C
STORAGE TEMPERATURE	-20 °C ~ +45 °C
LIFETIME	L70 50,000 h
CERTIFICATION	CE, RoHS and UKCA compliant
WARRANTY	3 years*

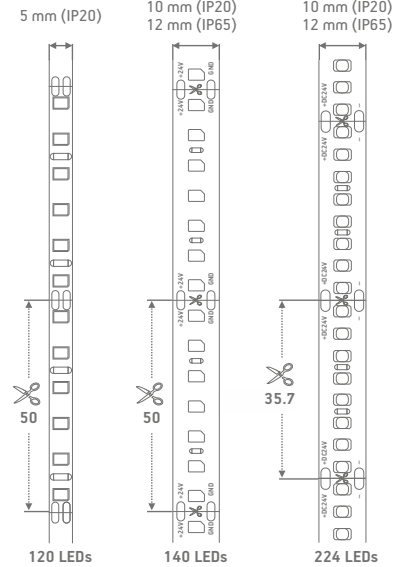
\*Warranty is applied only and if storage, mounting and maintenance conditions, stated in the installation guide, are followed.



120 LEDs

140 LEDs

224 LEDs



Dimensions are in mm

## ORDERING INFORMATION

SKU (order as * = I/E)	LEDs per METER	CUTTING STEP, mm	POWER per METER, W	COLOUR	LUMEN OUTPUT, LM
BLSP-LE120865I9.6	120	50	9.6	6500 K	864
BLSP-LE140865*20				6500 K	2250
BLSP-LE140840*20	140	50	20	4000 K	2250
BLSP-LE140830*20				3000 K	2100
BLSP-LE224865*22.4				6500 K	2688
BLSP-LE224840*22.4	224	35.7	22.4	4000 K	2688
BLSP-LE224830*22.4				3000 K	2464

**ORDERING:** replace "\*" with "I" for Indoor (IP20) version, example order BLSP-LE128865I9.6  
replace "\*" with "E" for Outdoor (IP65) version, example order BLSP-LE128865E9.6

## PACKAGING INFORMATION

SKU	METERS per REEL	REELS per BOX	LENGTH per BOX, m
IP20	5	50	250
IP65	5	20	100



**3**  
YEARS  
WARRANTY

120°

IP20/IP65

L70  
50 000 h

## GENERAL SPECIFICATIONS

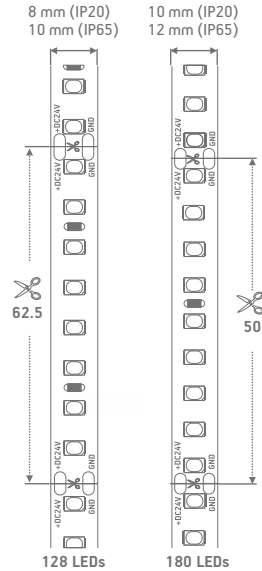
SUPPLY VOLTAGE	24 VDC
POWER	9.6 W and 14.4 W   8 W
CRI	80
LEDs PER METER	128   180
CUTTING STEP	62.5 mm   50 mm
BINNING	3 SDCM (3000 K   4000 K) 5 SDCM (6500 K)
OPERATING TEMPERATURE	-20 °C ~ +40 °C
STORAGE TEMPERATURE	-20 °C ~ +45 °C
LIFETIME	L70 50,000 h
CERTIFICATION	CE, RoHS and UKCA compliant
WARRANTY	3 years*

\*Warranty is applied only and if storage, mounting and maintenance conditions, stated in the installation guide, are followed.



128 LEDs

180 LEDs



Dimensions are in mm

## ORDERING INFORMATION

SKU (order as * = I/E)	LEDs per METER	CUTTING STEP, mm	POWER per METER, W	COLOUR	LUMEN OUTPUT, LM		
BLSP-LE128865*9.6	128	62.5	9.6	6500 K	1536		
BLSP-LE128840*9.6				4000 K	1536		
BLSP-LE128830*9.6				3000 K	1488		
BLSP-LE128865*14.4			14.4	50	8	6500 K	2448
BLSP-LE128840*14.4						4000 K	2520
BLSP-LE128830*14.4						3000 K	2376
BLSP-LE180865*8	180	50	8		6500 K	1600	
BLSP-LE180840*8					4000 K	1600	
BLSP-LE180830*8					3000 K	1440	

**ORDERING:** replace \*\*\* with \*I\* for Indoor (IP20) version, example order BLSP-LE128865I9.6  
replace \*\*\* with \*E\* for Outdoor (IP65) version, example order BLSP-LE128865E9.6

## PACKAGING INFORMATION

SKU	METERS per REEL	REELS per BOX	LENGTH per BOX, m
IP20	5	50	250
IP65	5	20	100

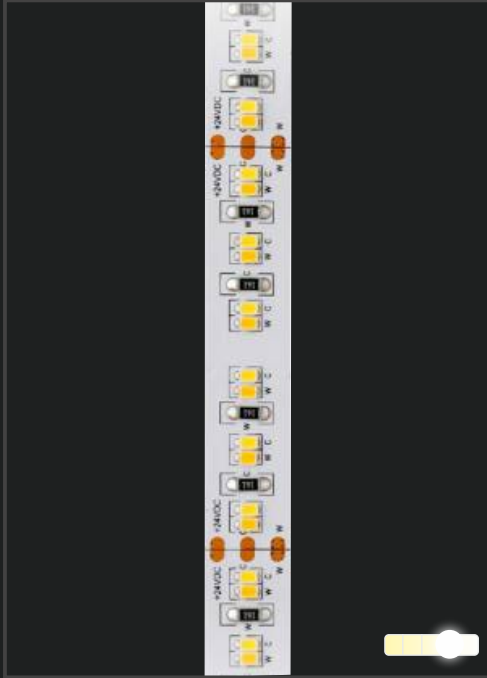
# LINELIT HE



## APPLICATION

- Aluminium profiles
- Advertisement boxes
- Signs
- General lighting
- Automotive accents
- Accent decor

# LINELIT TW



## APPLICATION

- Aluminium profiles
- Side lighting
- Signs
- General lighting
- Office lighting



## GENERAL SPECIFICATIONS

SUPPLY VOLTAGE	24 VDC
POWER	16 W   19.2 W   9.5 W
CRI	80   90
LEDs PER METER	120   240
CUTTING STEP	50 mm
COLOUR / CCT	2000 K - 4000 K 2700 - 6500K
OPERATING TEMPERATURE	-20 °C ~ +40 °C
STORAGE TEMPERATURE	-20 °C ~ +45 °C
LIFETIME	L70 50,000 h
CERTIFICATION	CE, RoHS and UKCA compliant
WARRANTY	3 years*

\*Warranty is applied only and if storage, mounting and maintenance conditions, stated in the installation guide, are followed.

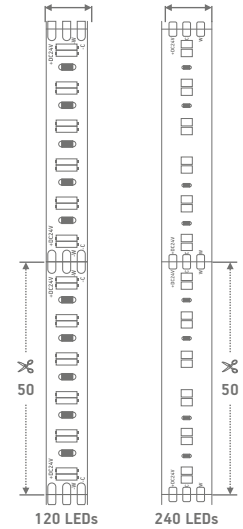


120 LEDs

240 LEDs

8 mm (IP20)  
10 mm (IP65)

10 mm (IP20)  
12 mm (IP65)



Dimensions are in mm

## ORDERING INFORMATION

SKU (order as * = I/E)	LEDs per METER	CUTTING STEP, mm	POWER per METER, W	COLOUR	LUMEN OUTPUT, LM
BLSP-LE120865*16-TW	120	50	8+8	2700 - 6500K	768
BLSP-LE240965*19-TW	240	50	19.2	2700 - 6500K	800-880
BLSP-LE240940I25-TW			12.5+12.5	2000 - 4000K	750

**ORDERING:** replace \*\*\* with 'I' for Indoor (IP20) version, example order BLSP-LE128865I9.6  
replace \*\*\* with 'E' for Outdoor (IP65) version, example order BLSP-LE128865E9.6

## PACKAGING INFORMATION

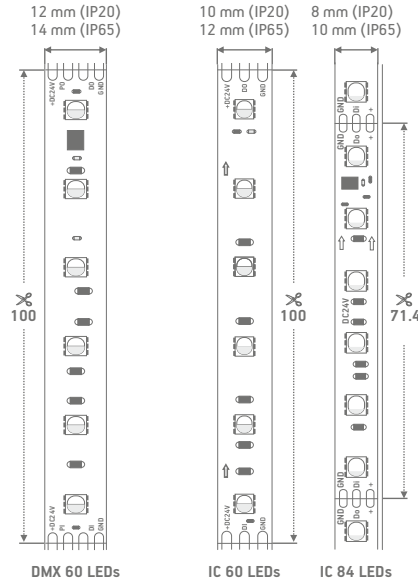
SKU	METERS per REEL	REELS per BOX	LENGTH per BOX, m
IP20	5	50	250
IP65	5	20	100



## GENERAL SPECIFICATIONS

SUPPLY VOLTAGE	24 VDC
POWER	19.2 W (DMX) 16 W   16.3 W (IC)
CRI	80
LEDs PER METER	60 (DMX) 60   84 (IC)
CUTTING STEP	100 mm (DMX) 71.4   100 mm (IC)
OPERATING TEMPERATURE	-20 °C ~ +40 °C
STORAGE TEMPERATURE	-20 °C ~ +45 °C
LIFETIME	L70 50,000 h
CERTIFICATION	CE, RoHS and UKCA compliant
WARRANTY	3 years*

\*Warranty is applied only and if storage, mounting and maintenance conditions, stated in the installation guide, are followed.



Dimensions are in mm



DMX 60 LEDs

IC 60 LEDs

IC 84 LEDs

## ORDERING INFORMATION

SKU (order as * = I/E)	LEDs per METER	CUTTING STEP, mm	POWER per METER, W	CRI	COLOUR	LUMEN OUTPUT, LM	CONTROL PROTOCOL
BLSP-LE60RGBCW*19-DMX	60	100	19.2	80	RGBW	459	DMX
BLSP-LE60RGBCW*16-IC	60	100	16.3	80	RGBW	420	SPI
BLSP-LE84RGBCW116-IC	84	71.4	16	80	RGBW	464	SPI

**ORDERING:** replace "\*" with "I" for Indoor (IP20) version, example order BLSP-LE128865I9.6  
replace "\*" with "E" for Outdoor (IP65) version, example order BLSP-LE128865E9.6

## PACKAGING INFORMATION

SKU	METERS per REEL	REELS per BOX	LENGTH per BOX, m
IP20	5	35	175
IP65	5	15	75

# LINELIT DMX | IC



## APPLICATION

- Aluminium profiles
- Advertisement boxes
- Signs
- General lighting
- Automotive accents
- Accent decor

# LINELIT RGB



## APPLICATION

- Aluminium profiles
- Side lighting
- Signs
- General lighting
- Office lighting



## GENERAL SPECIFICATIONS

SUPPLY VOLTAGE	24 VDC
POWER	14.4 W
LEDs PER METER	60   120
CUTTING STEP	100 mm   50 mm
OPERATING TEMPERATURE	-20 °C ~ +40 °C
STORAGE TEMPERATURE	-20 °C ~ +45 °C
LIFETIME	L70 50,000 h
CERTIFICATION	CE, RoHS and UKCA compliant
WARRANTY	3 years*

\*Warranty is applied only and if storage, mounting and maintenance conditions, stated in the installation guide, are followed.



60 LEDs

120 LEDs

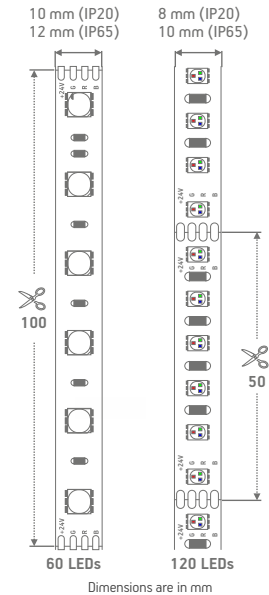
## ORDERING INFORMATION

SKU (order as * = I/E)	LEDs per METER	CUTTING STEP, mm	POWER per METER, W	COLOUR	LUMEN OUTPUT, LM
BLSP-LE60RGB*14.4	60	100	14.4	RGB	475
BLSP-LE120RGB*14.4	120	50	14.4	RGB	500

**ORDERING:** replace "\*" with "I" for Indoor (IP20) version, example order BLSP-LE128865I9.6  
replace "\*" with "E" for Outdoor (IP65) version, example order BLSP-LE128865E9.6

## PACKAGING INFORMATION

SKU	METERS per REEL	REELS per BOX	LENGTH per BOX, m
IP20	5	50	250
IP65	5	20	100



**3**  
YEARS  
WARRANTY

120°

IP20/IP65

L70  
50 000 h

## GENERAL SPECIFICATIONS

SUPPLY VOLTAGE	24 VDC
POWER	13.6 W   24 W
CRI	80   90
LEDs PER METER	60   180
CUTTING STEP	100 mm
OPERATING TEMPERATURE	-20 °C ~ +40 °C
STORAGE TEMPERATURE	-20 °C ~ +45 °C
LIFETIME	L70 50,000 h
CERTIFICATION	CE, RoHS and UKCA compliant
WARRANTY	3 years*

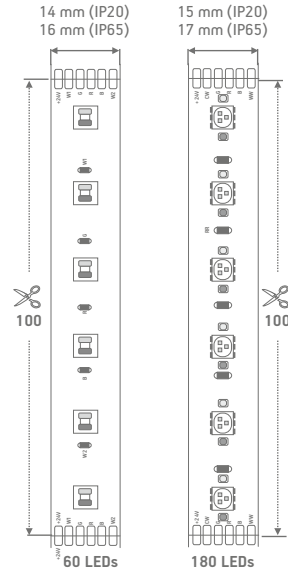
\*Warranty is applied only and if storage, mounting and maintenance conditions, stated in the installation guide, are followed.



60 LEDs



180 LEDs



Dimensions are in mm

## ORDERING INFORMATION

SKU (order as * = I/E)	LEDs per METER	CUTTING STEP, mm	POWER per METER, W	COLOUR	LUMEN OUTPUT, LM
BLSP-LE60RGB*13.6-TW	60	100	13.6	RGB+CCT (5in1)	583
BLSP-LE180RGB*24-TW	180	100	24	RGB+CCT	1272

**ORDERING:** replace "\*" with "I" for Indoor (IP20) version, example order BLSP-LE128865I9.6  
replace "\*" with "E" for Outdoor (IP65) version, example order BLSP-LE128865E9.6

## PACKAGING INFORMATION

SKU	METERS per REEL	REELS per BOX	LENGTH per BOX, m
IP20 13.6 W	5	30	150
IP20 24 W	5	25	125
IP20 13.6 W	5	6	30
IP20 24 W	5	6	30

# LINELIT RGB TW



## APPLICATION

- Aluminium profiles
- Advertisement boxes
- Signs
- General lighting
- Automotive accents
- Accent decor

# LINELIT COB



## APPLICATION

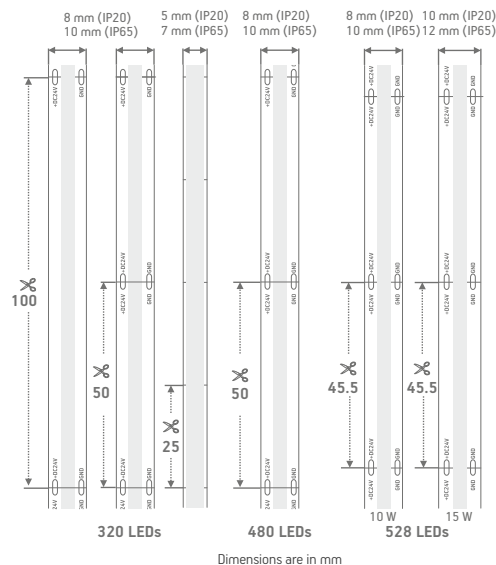
- Aluminium profiles
- Side lighting
- Signs
- General lighting
- Office lighting



## GENERAL SPECIFICATIONS

SUPPLY VOLTAGE	24 VDC
POWER	8 W   10 W   15 W
CRI	80   90
LEDs PER METER	320   480   528
BINNING	3 SDCM (3000 K   4000 K) 5 SDCM (6500 K)
OPERATING TEMPERATURE	-20 °C ~ +40 °C
STORAGE TEMPERATURE	-20 °C ~ +45 °C
LIFETIME	L70 50,000 h
CERTIFICATION	CE, RoHS and UKCA compliant
WARRANTY	3 years*

\*Warranty is applied only and if storage, mounting and maintenance conditions, stated in the installation guide, are followed.



## ORDERING INFORMATION

SKU (order as * = I/E)	LEDs per METER	CUTTING STEP, mm	POWER per METER, W	CRI	COLOUR	LUMEN OUTPUT, LM
BLSP-LE320865*8					6500 K	840
BLSP-LE320840*8		100	8	80	4000 K	840
BLSP-LE320840*8					3000 K	800
BLSP-LE320965*8					6500 K	800
BLSP-LE320940*8					4000 K	760
BLSP-LE320930*8	320	50	8	90	3000 K	680
BLSP-LE32092718					2700 K	640
BLSP-LE320965*8-S					6500 K	880
BLSP-LE320940*8-S		25	8	90	4000 K	840
BLSP-LE320930*8-S					3000 K	800
BLSP-LE480965*10					6500 K	1000
BLSP-LE480940*10	480	50	10	90	4000 K	950
BLSP-LE480930*10					3000 K	850
BLSP-LE528865*10					6500 K	1050
BLSP-LE528840*10			10	80	4000 K	1050
BLSP-LE528830*10					3000 K	1000
BLSP-LE528865*15	528	45.5			6500 K	1575
BLSP-LE528840*15			15	80	4000 K	1575
BLSP-LE528830*15					3000 K	1500

ORDERING: replace "\*" with "I" for Indoor (IP20) version, replace "\*" with "E" for Outdoor (IP65) version

## PACKAGING INFORMATION

SKU	METERS per REEL	REELS per BOX	LENGTH per BOX, m
IP20   IP65	5   5	50   20	250   100



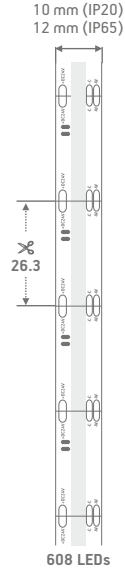
## GENERAL SPECIFICATIONS

SUPPLY VOLTAGE	24 VDC
POWER	8 + 8 W
CRI	90
LEDs PER METER	60
CUTTING STEP	26.3 mm
BINNING	2700 – 6500 K
OPERATING TEMPERATURE	-20 °C ~ +40 °C
STORAGE TEMPERATURE	-20 °C ~ +45 °C
LIFETIME	L70 50,000 h
CERTIFICATION	CE, RoHS and UKCA compliant
WARRANTY	3 years*

\*Warranty is applied only and if storage, mounting and maintenance conditions, stated in the installation guide, are followed.

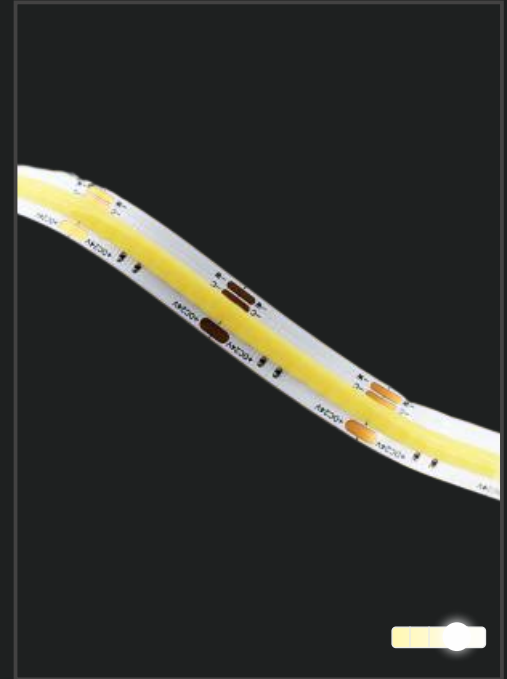


608 LEDs



Dimensions are in mm

# LINELIT COB TW



## ORDERING INFORMATION

SKU (order as * = I/E)	LEDs per METER	CUTTING STEP, mm	POWER per METER, W	CRI	COLOUR	LUMEN OUTPUT, LM
BLSP-LE6089TW*16	608	26.3	8+8	90	2700 – 6500 K	1536

**ORDERING:** replace \*\*\* with \*I\* for Indoor (IP20) version, example order BLSP-LE128865I9.6  
replace \*\*\* with \*E\* for Outdoor (IP65) version, example order BLSP-LE128865E9.6

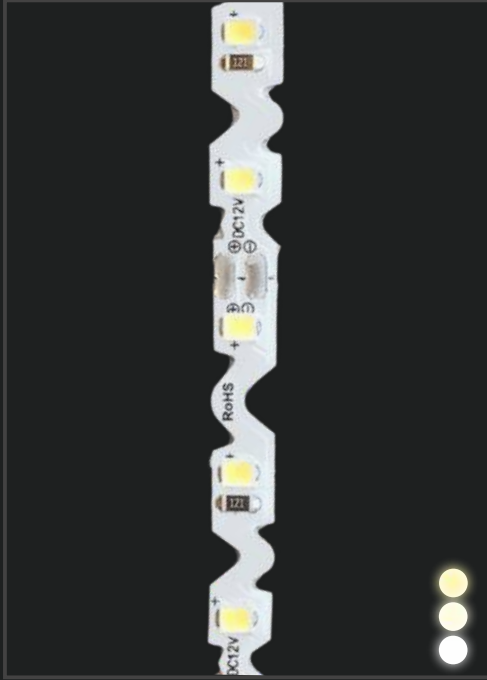
## PACKAGING INFORMATION

SKU	METERS per REEL	REELS per BOX	LENGTH per BOX, m
IP20	5	50	250
IP65	5	20	100

## APPLICATION

- Aluminium profiles
- Advertisement boxes
- Signs
- General lighting
- Automotive accents
- Accent decor

# LINELIT ZIGZAG



## APPLICATION

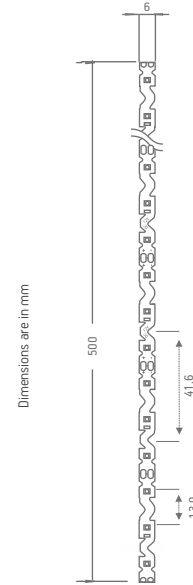
- Aluminium profiles
- Advertisement boxes
- Signs
- General lighting
- Automotive accents
- Accent decor



## GENERAL SPECIFICATIONS

SUPPLY VOLTAGE	12 VDC
POWER	7.2 W
LEDs PER METER	72
CUTTING STEP	41.6 mm
OPERATING TEMPERATURE	-20 °C ~ +45 °C
STORAGE TEMPERATURE	+5 °C ~ +70 °C
LIFETIME	L80 60,000 h
CERTIFICATION	CE, RoHS
WARRANTY	5 years*

\*Warranty is applied only and if storage, mounting and maintenance conditions, stated in the installation guide, are followed.



## ORDERING INFORMATION

SKU	POWER per METER, W	LUMEN OUTPUT, LM	COLOUR
BLSP-ZZ-LE7283017.2-HE	7.2	915	3000 K
BLSP-ZZ-LE7284017.2-HE	7.2	966	4000 K
BLSP-ZZ-LE7286517.2-HE	7.2	954	6500 K

## PACKAGING INFORMATION

METERS per REEL	REELS per BOX	LENGTH per BOX, m	WEIGHT per BOX, kg
5	50	250	5



**SOLUTIONS FOR STREET FURNITURE  
LIGHTING**



# RETROFIT TUBE



## APPLICATION

- Street furniture applications
- T8 replacement
- Outdoor conditions
- Recommended depth 140 – 400 mm

## PACKAGING

TUBE LENGTH	QTY/BOX
600 mm (0.252 kg)	25 pcs (6.3 kg)
900 mm (0.380 kg)	25 pcs (9.5 kg)
1200 mm (0.480 kg)	25 pcs (12.0 kg)
1500 mm (0.572 kg)	25 pcs (14.3 kg)
1800 mm (0.720 kg)	25 pcs (18.0 kg)
2400 mm (0.940 kg)	25 pcs (24.0 kg)



## GENERAL SPECIFICATIONS

SUPPLY VOLTAGE	220 VAC   24 VDC
POWER FACTOR	> 0.90
EFFICIENCY	138 lm/W - 148 lm/W
CCT	6500 ± 250 K   4000 ± 250 K
CRI	80
BEAM ANGLE	2 x 160°   2 x 180°
IP CLASS	IP67
RECOMMENDED DEPTH	From 140 to 400 mm
OPERATING TEMPERATURE	-20 °C ~ +40 °C
STORAGE TEMPERATURE	-40 °C ~ +80 °C
STORAGE CONDITIONS	Relative humidity <60%
LIFETIME	L70 50,000 h
MOUNTING OPTIONS	G13 socket   double plug, top   two sides plug
CERTIFICATION	CE and RoHS compliant
WARRANTY	5 years*

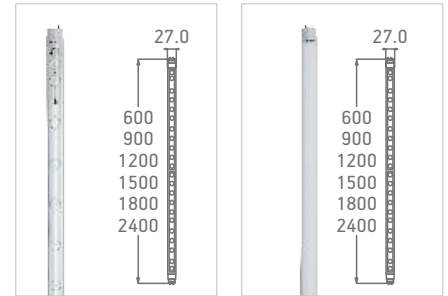
\*Warranty is applied only and if storage, mounting and maintenance conditions, stated in the installation guide, are followed.

## ORDERING INFORMATION

### RETROFIT TUBES

SKU	LENGTH, MM	CCT	COVER TYPE	CONNECTOR	VOLTAGE	POWER	LUMEN OUTPUT, LM
BTBP-T8C-060A320865E10-DP24V	600	6500 K	clear	double plug, top	24 V	10 W	1430
BTBP-T8C-060A320865E10-DP	600	6500 K	clear	double plug, top	220 V	10 W	1480
BTBP-T8C-060A320865E10-TSP24V	600	6500 K	clear	two sides plug	24 V	10 W	1430
BTBP-T8C-060A320865E10-TSP	600	6500 K	clear	two sides plug	220 V	10 W	1480
BTBP-T8C-060A320865E10-G13	600	6500 K	clear	G13	220 V	10 W	1480
BTBP-T8M-060A360840E10-G13	600	4000 K	milky	G13	220 V	10 W	1380
BTBP-T8C-090A320865E12-DP24V	900	6500 K	clear	double plug, top	24 V	12 W	1716
BTBP-T8C-090A320865E12-DP	900	6500 K	clear	double plug, top	220 V	12 W	1776
BTBP-T8C-090A320865E12-TSP24V	900	6500 K	clear	two sides plug	24 V	12 W	1716
BTBP-T8C-090A320865E12-TSP	900	6500 K	clear	two sides plug	220 V	12 W	1776
BTBP-T8C-090A320865E12-G13	900	6500 K	clear	G13	220 V	12 W	1776
BTBP-T8M-090A360840E14-G13	900	4000 K	milky	G13	220 V	14 W	1932

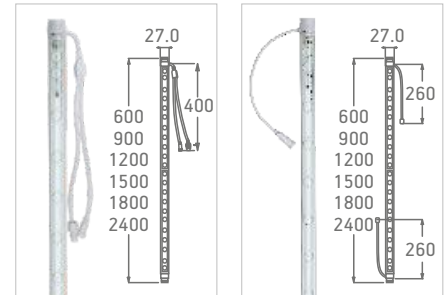
### DIRECT CONNECTION



G13 socket | CLEAR COVER

G13 socket | MILKY COVER

### INDIRECT CONNECTION | end cap needed



Top double plug, top | CLEAR COVER

Two sides plug | CLEAR COVER

## ORDERING INFORMATION

### RETROFIT TUBES

SKU	LENGTH, MM	CCT	COVER TYPE	CONNECTOR	VOLTAGE	POWER	LUMEN OUTPUT, LM
BTBP-T8C-120A320865E18-DP24V	1200	6500 K	clear	double plug, top	24 V	18 W	2574
BTBP-T8C-120A3208650E18-DP	1200	6500 K	clear	double plug, top	220 V	18 W	2664
BTBP-T8C-120A320865E18-TSP24V	1200	6500 K	clear	two sides plug	24 V	18 W	2574
BTBP-T8C-120A320865E18-TSP	1200	6500 K	clear	two sides plug	220 V	18 W	2664
BTBP-T8C-120A320865E18-G13	1200	6500 K	clear	G13	220 V	18 W	2664
BTBP-T8M-120A360840E20-G13	1200	4000 K	milky	G13	220 V	20 W	2766
BTBP-T8C-150A320865E20-DP24V	1500	6500 K	clear	double plug, top	24 V	20 W	2866
BTBP-T8C-150A320865E20-DP	1500	6500 K	clear	double plug, top	220 V	20 W	2960
BTBP-T8C-150A320865E20-TSP24V	1500	6500 K	clear	two sides plug	24 V	20 W	2866
BTBP-T8C-150A320865E20-TSP	1500	6500 K	clear	two sides plug	220 V	20 W	2960
BTBP-T8C-150A320865E20-G13	1500	6500 K	clear	G13	220 V	20 W	2960
BTBP-T8M-150A360840E22-G13	1500	4000 K	milky	G13	220 V	22 W	3036
BTBP-T8C-180A320865E28-DP24V	1800	6500 K	clear	double plug, top	24 V	28 W	4004
BTBP-T8C-180A320865E30-DP	1800	6500 K	clear	double plug, top	220 V	30 W	4440
BTBP-T8C-180A320865E28-TSP24V	1800	6500 K	clear	two sides plug	24 V	28 W	4004
BTBP-T8C-180A320865E30-TSP	1800	6500 K	clear	two sides plug	220 V	30 W	4440
BTBP-T8C-180A320865E28-G13	1800	6500 K	clear	G13	220 V	28 W	4144
BTBP-T8M-180A360840E32-G13	1800	4000 K	milky	G13	220 V	32 W	4416
BTBP-T8C-240A320865E40-DP24V	2400	6500 K	clear	double plug, top	24 V	40 W	5720
BTBP-T8C-240A320865E40-DP	2400	6500 K	clear	double plug, top	220 V	40 W	5920
BTBP-T8C-240A320865E40-TSP24V	2400	6500 K	clear	two sides plug	24 V	40 W	5720
BTBP-T8C-240A320865E40-TSP	2400	6500 K	clear	two sides plug	220 V	40 W	5920
BTBP-T8C-240A320865E40-G13	2400	6500 K	clear	G13	220 V	40 W	5920
BTBP-T8M-240A360840E42-G13	2400	4000 K	milky	G13	220 V	40 W	5796

### ACCESSORIES

SKU	DESCRIPTION
BTB-RTF-AKIT	Nozzle
BTB-RTF-BKIT	End cap
BTB-RTF-CKIT	AC cable
BTB-RTF-DKIT	DC cable



NOZZLE



END CAP



AC / DC CABLE

### ACCESSORY KIT

SKU	NOZZLES	END CAPS	FEMALE EXTENSION CABLE	CABLE TYPE   LENGTH, MM
BTB-RTF-AKIT	1 pc	10 psc	1 pc	AC   500
BTB-RTF-BKIT	2 pcs	25 pcs	2 pcs	AC   500
BTB-RTF-CKIT	2 pcs	25 pcs	2 pcs	DC   500
BTB-RTF-DKIT	1 pc	10 psc	1 pc	DC   800
BTB-RTF-EKIT	1 pc	10 psc	1 pc	AC   800

**SIGNBRIDGE PRO**  
**DURABLE OUTDOOR METAL POWER SUPPLIES**





## GENERAL SPECIFICATIONS

EFFICIENCY	87% (230 VAC)
TURN ON DELAY	<1000ms (230 VAC)
OPERATING CONDITIONS	-40°C ~ +70°C; 20 ~ 95% humidity
STORAGE CONDITIONS	-40 °C ~ +80 °C; 10 ~ 95% humidity
IP CLASS	IP 67
PROTECTIONS INCLUDED	Overload Short circuit
WARRANTY	7 years

## INPUT

INPUT VOLTAGE RANGE	220 - 240 VAC, (50 - 60 Hz)
MAX INPUT AC CURRENT	0.5 A Max
MAX INRUSH CURRENT	≤50 A
POWER FACTOR	>0.95 (230 VAC)

## OUTPUT

VOLTAGE   CURRENT	12 V   5A 24 V   2.5 A
MAX OUTPUT POWER	60 W

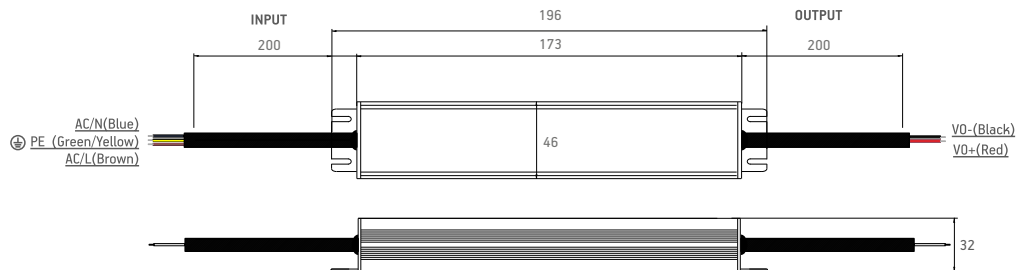
## QUANTITY OF DRIVERS PER CIRCUIT BREAKER

CIRCUIT BREAKER OF TYPE B 16 A	9 units (at 230 VAC)
CIRCUIT BREAKER OF TYPE C 16 A	14 units (at 230 VAC)

## ORDERING INFORMATION

SKU	VOLTAGE	UNIT NET WEIGHT, G	UNIT DIMENSIONS, MM	PCS/BOX
BPSE-60-12V.3	12 V	440.0	196 x 46 x 32	30
BPSE-60-24V.3	24 V	440.0	196 x 46 x 32	30

## DIMENSIONS



# SIGNBRIDGE PRO

## BPSE-60-12/24V.3

# outdoor metal



60 W LED driver

## FEATURES

- Constant voltage mode output
- Metal housing design with functional ground
- Built-in active PFC function
- IP67 rating for indoor or outdoor installations
- 7-year warranty

## CONFORMITY & STANDARDS

EMC Emission:

- compliance to EN55015, PART15B

EMC Immunity:

- EN55015
- EN61547
- EN61000-3-2
- EN61000-3-3
- CB
- CE-LVD:
- IEC/EN61347-1
- IEC/EN61347-2-13
- UL8750
- UL1310

# SIGNBRIDGE PRO

BPSE-100-12/24V.3

# outdoor metal



100 W LED driver

## FEATURES

- Constant voltage mode output
- Metal housing design with functional ground
- Built-in active PFC function
- IP67 rating for indoor or outdoor installations
- 7-year warranty

## CONFORMITY & STANDARDS

EMC Emission:

- compliance to EN55015, PART15B

EMC Immunity:

- EN55015
- EN61547
- EN61000-3-2
- EN61000-3-3
- CB
- CE-LVD:
- IEC/EN61347-1
- IEC/EN61347-2-13
- UL8750
- UL1310



## GENERAL SPECIFICATIONS

EFFICIENCY	12 V   91% (230 VAC) 12 V   92% (230 VAC)
TURN ON DELAY	<1000mS (230 VAC)
OPERATING CONDITIONS	-40°C ~ +70°C; 20 ~ 95% humidity
STORAGE CONDITIONS	-40 °C ~ +80 °C; 10 ~ 95% humidity
IP CLASS	IP 67
PROTECTIONS INCLUDED	Overload Short circuit
WARRANTY	7 years

## INPUT

INPUT VOLTAGE RANGE	220 - 240 VAC, (50 - 60 Hz)
MAX INPUT AC CURRENT	0.75 A Max
MAX INRUSH CURRENT	≤50 A
POWER FACTOR	>0.95 (230 VAC)

## OUTPUT

VOLTAGE   CURRENT	12 V   8.33 A 24 V   4.17 A
MAX OUTPUT POWER	100 W

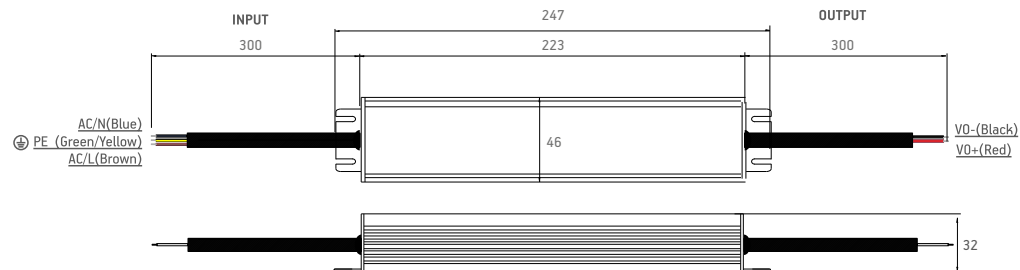
## QUANTITY OF DRIVERS PER CIRCUIT BREAKER

CIRCUIT BREAKER OF TYPE B 16 A	8 units (at 230 VAC)
CIRCUIT BREAKER OF TYPE C 16 A	14 units (at 230 VAC)

## ORDERING INFORMATION

SKU	VOLTAGE	UNIT NET WEIGHT, G	UNIT DIMENSIONS, MM	PCS/BOX
BPSE-100-12V.3	12 V	670.0	247 x 46 x 32	24
BPSE-100-24V.3	24 V	670.0	247 x 46 x 32	24

## DIMENSIONS





## GENERAL SPECIFICATIONS

<b>EFFICIENCY</b>	12 V   91% (230 VAC) 12 V   92% (230 VAC)
<b>TURN ON DELAY</b>	<1000ms (230 VAC)
<b>OPERATING CONDITIONS</b>	-40°C ~ +70°C; 20 ~ 95% humidity
<b>STORAGE CONDITIONS</b>	-40 °C ~ +80 °C; 10 ~ 95% humidity
<b>IP CLASS</b>	IP 67
<b>PROTECTIONS INCLUDED</b>	Overload Short circuit
<b>WARRANTY</b>	7 years

## INPUT

<b>INPUT VOLTAGE RANGE</b>	220 - 240 VAC, (50 - 60 Hz)
<b>MAX INPUT AC CURRENT</b>	1.1 A Max
<b>MAX INRUSH CURRENT</b>	≤65 A
<b>POWER FACTOR</b>	>0.95 (230 VAC)

## OUTPUT

<b>VOLTAGE   CURRENT</b>	12 V   12.5 A 24 V   6.25 A
<b>MAX OUTPUT POWER</b>	150 W

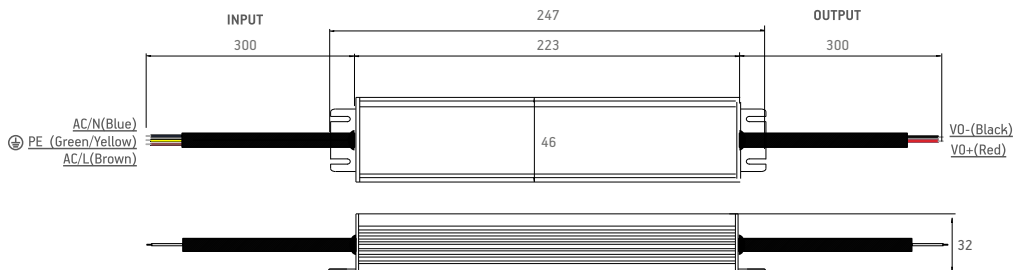
## QUANTITY OF DRIVERS PER CIRCUIT BREAKER

<b>CIRCUIT BREAKER OF TYPE B 16 A</b>	5 units (at 230 VAC)
<b>CIRCUIT BREAKER OF TYPE C 16 A</b>	8 units (at 230 VAC)

## ORDERING INFORMATION

SKU	VOLTAGE	UNIT NET WEIGHT, G	UNIT DIMENSIONS, MM	PCS/BOX
BPSE-150-12V.3	12 V	690.0	247 x 46 x 32	24
BPSE-150-24V.3	24 V	690.0	247 x 46 x 32	24

## DIMENSIONS



# SIGNBRIDGE PRO

## BPSE-150-12/24V.3

# outdoor metal



150 W LED driver

## FEATURES

- Constant voltage mode output
- Metal housing design with functional ground
- Built-in active PFC function
- IP67 rating for indoor or outdoor installations
- 7-year warranty

## CONFORMITY & STANDARDS

EMC Emission:

- compliance to EN55015, PART15B

EMC Immunity:

- EN55015
- EN61547
- EN61000-3-2
- EN61000-3-3
- CB
- CE-LVD:
  - IEC/EN61347-1
  - IEC/EN61347-2-13
  - UL8750
  - UL1310

# SIGNBRIDGE PRO

BPSE-200-24V.3

# outdoor metal



200 W LED driver

## FEATURES

- Constant voltage mode output
- Metal housing design with functional ground
- Built-in active PFC function
- IP67 rating for indoor or outdoor installations
- 7-year warranty

## CONFORMITY & STANDARDS

EMC Emission:

- compliance to EN55015, PART15B

EMC Immunity:

- EN55015
- EN61547
- EN61000-3-2
- EN61000-3-3
- CB
- CE-LVD:
- IEC/EN61347-1
- IEC/EN61347-2-13
- UL8750
- UL1310



## GENERAL SPECIFICATIONS

EFFICIENCY	92 % (230 VAC)
TURN ON DELAY	<1000mS (230 VAC)
OPERATING CONDITIONS	-40°C ~ +70°C; 20 ~ 95% humidity
STORAGE CONDITIONS	-40 °C ~ +80 °C; 10 ~ 95% humidity
IP CLASS	IP 67
PROTECTIONS INCLUDED	Overload Short circuit
WARRANTY	7 years

## INPUT

INPUT VOLTAGE RANGE	220 - 240 VAC, (50 - 60 Hz)
MAX INPUT AC CURRENT	1.4 A Max
MAX INRUSH CURRENT	≤65 A
POWER FACTOR	>0.95 (230 VAC)

## OUTPUT

VOLTAGE   CURRENT	24 V   8.33A
MAX OUTPUT POWER	200 W

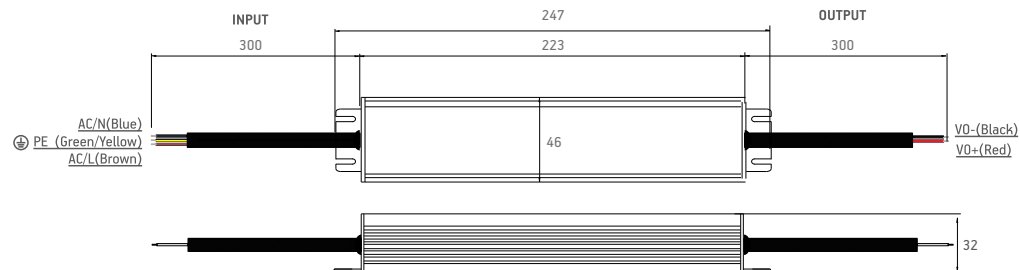
## QUANTITY OF DRIVERS PER CIRCUIT BREAKER

CIRCUIT BREAKER OF TYPE B 16 A	4 units (at 230 VAC)
CIRCUIT BREAKER OF TYPE C 16 A	7 units (at 230 VAC)

## ORDERING INFORMATION

SKU	VOLTAGE	UNIT NET WEIGHT, G	UNIT DIMENSIONS, MM	PCS/BOX
BPSE-200-24V.3	24 V	690.0	247 x 46 x 32	24

## DIMENSIONS







## GENERAL SPECIFICATIONS

EFFICIENCY	92 % (230 VAC)
TURN ON DELAY	<1000mS (230 VAC)
OPERATING CONDITIONS	-40°C ~ +70°C; 20 ~ 95% humidity
STORAGE CONDITIONS	-40 °C ~ +80 °C; 10 ~ 95% humidity
IP CLASS	IP 67
PROTECTIONS INCLUDED	Overload Short circuit
WARRANTY	7 years

## INPUT

INPUT VOLTAGE RANGE	220 - 240 VAC, (50 - 60 Hz)
MAX INPUT AC CURRENT	2.1 A Max
MAX INRUSH CURRENT	≤85 A
POWER FACTOR	>0.95 (230 VAC)

## OUTPUT

VOLTAGE   CURRENT	24 V   12.5A
MAX OUTPUT POWER	300 W

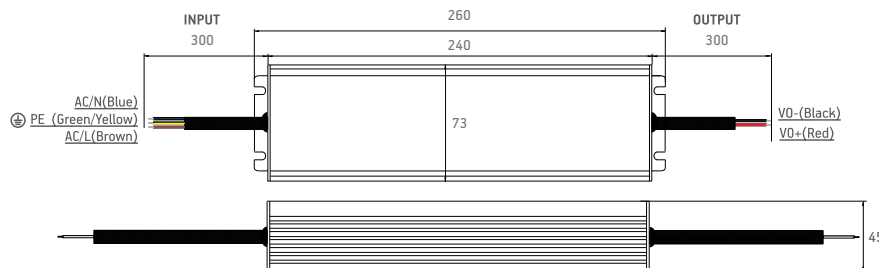
## QUANTITY OF DRIVERS PER CIRCUIT BREAKER

CIRCUIT BREAKER OF TYPE B 16 A	2 units (at 230 VAC)
CIRCUIT BREAKER OF TYPE C 16 A	4 units (at 230 VAC)

## ORDERING INFORMATION

SKU	VOLTAGE	UNIT NET WEIGHT, G	UNIT DIMENSIONS, MM	PCS/BOX
BPSE-300-24V.3	24 V	1500.0	260 x 73 x 45	10

## DIMENSIONS



# SIGNBRIDGE PRO

## BPSE-300-24V.3

# outdoor metal



300 W LED driver

## FEATURES

- Constant voltage mode output
- Metal housing design with functional ground
- Built-in active PFC function
- IP67 rating for indoor or outdoor installations
- 7-year warranty

## CONFORMITY & STANDARDS

EMC Emission:

- compliance to EN55015, PART15B

EMC Immunity:

- EN55015
- EN61547
- EN61000-3-2
- EN61000-3-3
- CB
- CE-LVD:
- IEC/EN61347-1
- IEC/EN61347-2-13
- UL8750
- UL1310

**SMARTBRIDGE**

**OUTDOOR METAL WI-FI & BLUETOOTH DIMMABLE  
POWER SUPPLIES**





## GENERAL SPECIFICATIONS

<b>EFFICIENCY</b>	12 V   $\geq 89.5\%$ (230 VAC) 24 V   $\geq 91.4\%$ (230 VAC)
<b>THD</b>	< 15%
<b>OPERATING CONDITIONS</b>	-40°C ~ +60°C; 20 ~ 95% humidity
<b>STORAGE CONDITIONS</b>	-40 °C ~ +80 °C; 10 ~ 95% humidity
<b>IP CLASS</b>	IP 66 SELV
<b>PROTECTIONS INCLUDED</b>	Over load Short circuit Over temperature
<b>WARRANTY</b>	5 years, $\geq 50\,000$ h

## INPUT

<b>INPUT VOLTAGE RANGE</b>	100 - 277 VAC, (47 - 63 Hz)
<b>MAX INPUT AC CURRENT</b>	1.3 A Max
<b>MAX INRUSH CURRENT</b>	$\leq 53$ A
<b>POWER FACTOR</b>	>0.95 (230 VAC)

## OUTPUT

<b>VOLTAGE   CURRENT</b>	12 V   8.3 A (CW+WW)   8.3 A (R+G+B) 24 V   4.17 A (CW+WW)   4.17 A (R+G+B)
<b>MAX OUTPUT POWER</b>	100 W

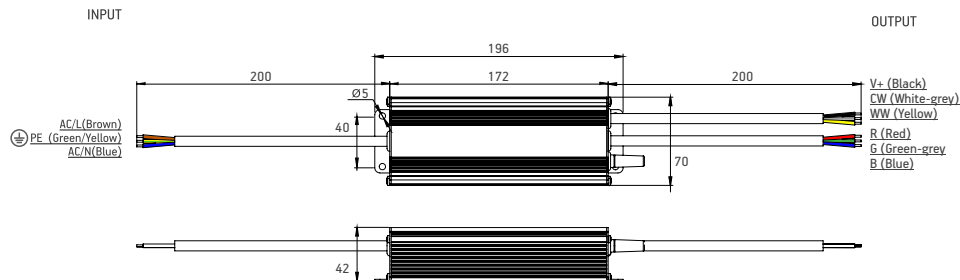
## QUANTITY OF DRIVERS PER CIRCUIT BREAKER

<b>CIRCUIT BREAKER OF TYPE B 16 A</b>	5 units (at 230 VAC)
<b>CIRCUIT BREAKER OF TYPE C 16 A</b>	11 units (at 230 VAC)

## ORDERING INFORMATION

SKU	VOLTAGE	UNIT NET WEIGHT, G	UNIT DIMENSIONS, MM	PCS/BOX
BPSS-100-12V.1-W5C-T	12 V	896.0	196 x 70 x 42	10
BPSS-100-24V.1-W5C-T	24 V	896.0	196 x 70 x 42	10

## DIMENSIONS



# SMARTBRIDGE

## BPSS-100-12/24V.1-W5C-T

- # Wi-Fi & Bluetooth dimmable
- # outdoor metal



100 W dimmable LED driver

## FEATURES

- Constant voltage mode output
- Metal housing design with functional ground
- Built-in active PFC function
- Class 2 power supply
- IP66 rating for indoor or outdoor installations
- Wi-Fi wireless dimming
- Bluetooth wireless dimming
- 8K Hz PWM output

## CONFORMITY & STANDARDS

### EMC Emission:

- compliance to EN55015, PART15B

### EMC Immunity:

- EN55015
- EN61547
- EN61000-3-2
- EN61000-3-3
- CB
- CE-LVD:
- IEC/EN61347-1
- IEC/EN61347-2-13
- UL8750
- UL1310

# SMARTBRIDGE

BPSS-200-12/24V.1-W5C-T

- # Wi-Fi & Bluetooth dimmable
- # outdoor metal



200 W dimmable LED driver

## FEATURES

- Constant voltage mode output
- Metal housing design with functional ground
- Built-in active PFC function
- Class 2 power supply
- IP66 rating for indoor or outdoor installations
- Wi-Fi wireless dimming
- Bluetooth wireless dimming
- 8K Hz PWM output

## CONFORMITY & STANDARDS

### EMC Emission:

- compliance to EN55015, PART15B

### EMC Immunity:

- EN55015
- EN61547
- EN61000-3-2
- EN61000-3-3
- CB
- CE-LVD:
- IEC/EN61347-1
- IEC/EN61347-2-13
- UL8750
- UL1310



## GENERAL SPECIFICATIONS

EFFICIENCY	12 V   $\geq 90.5\%$ (230 VAC) 24 V   $\geq 92\%$ (230 VAC)
THD	< 15%
OPERATING CONDITIONS	-40°C ~ +60°C; 20 ~ 95% humidity
STORAGE CONDITIONS	-40 °C ~ +80 °C; 10 ~ 95% humidity
IP CLASS	IP 66 SELV
PROTECTIONS INCLUDED	Over load Short circuit Over temperature
WARRANTY	5 years, $\geq 50\,000$ h

## INPUT

INPUT VOLTAGE RANGE	110 - 277 VAC, (47 - 63 Hz)
MAX INPUT AC CURRENT	2.3 A Max
MAX INRUSH CURRENT	$\leq 88$ A
POWER FACTOR	>0.95 (230 VAC)

## OUTPUT

VOLTAGE   CURRENT	12 V   16.67 A (CW+WW)   16.67 A (R+G+B) 24 V   8.33 A (CW+WW)   8.33 A (R+G+B)
MAX OUTPUT POWER	200 W

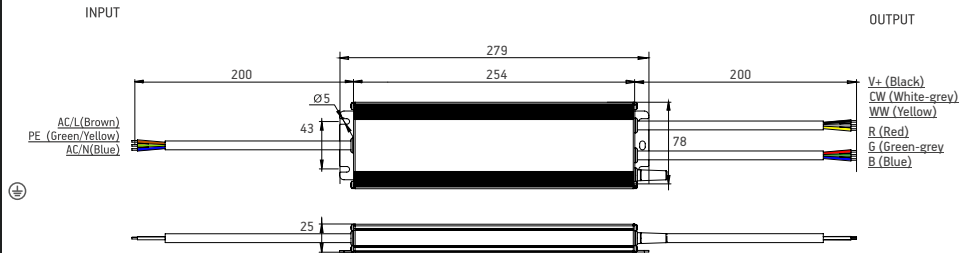
## QUANTITY OF DRIVERS PER CIRCUIT BREAKER

CIRCUIT BREAKER OF TYPE B 16 A	3 units (at 230 VAC)
CIRCUIT BREAKER OF TYPE C 16 A	7 units (at 230 VAC)

## ORDERING INFORMATION

SKU	VOLTAGE	UNIT NET WEIGHT, G	UNIT DIMENSIONS, MM	PCS/BOX
BPSS-200-12V.1-W5C-T	12 V	1000.0	279 x 78 x 25	20
BPSS-200-24V.1-W5C-T	24 V	1000.0	279 x 78 x 25	20

## DIMENSIONS



**SIGNBRIDGE PWM**  
**OUTDOOR METAL DIMMABLE POWER SUPPLIES**



# SIGNBRIDGE PWM

BPSP-36-12/24V.3-B

- # outdoor metal
- # dimmable



36 W PWM LED driver

## FEATURES

- 3-in-1 dimming: PWM | 0-10V | 1-10V
- Metal housing design
- Built-in active PFC function
- IP67 rating for indoor or outdoor installations
- 5 years warranty

## CONFORMITY & STANDARDS

EMC Emission:

- compliance to EN55015, PART15B

EMC Immunity:

- EN55015
- EN61547
- EN61000-3-2
- EN61000-3-3
- CB
- CE-LVD:
  - IEC/EN61347-1
  - IEC/EN61347-2-13
  - UL8750
  - UL1310



## GENERAL SPECIFICATIONS

EFFICIENCY	12 V   84% (230 VAC) 24 V   85% (230 VAC)
TURN ON DELAY	<1000mS (230 VAC)
OPERATING CONDITIONS	-20°C ~ +50°C; 20 ~ 95% humidity
STORAGE CONDITIONS	-40 °C ~ +80 °C; 10 ~ 95% humidity
IP CLASS	IP 67
PROTECTIONS INCLUDED	Short circuit Overload
WARRANTY	5 years

## INPUT

INPUT VOLTAGE RANGE	220 - 240 VAC, (50 - 60 Hz)
MAX INPUT AC CURRENT	0.5 A Max
MAX INRUSH CURRENT	40 A
POWER FACTOR	≥0.95 (230 VAC)

## OUTPUT

VOLTAGE   CURRENT	12 V   3A 24 V   1.5 A
MAX OUTPUT POWER	36 W

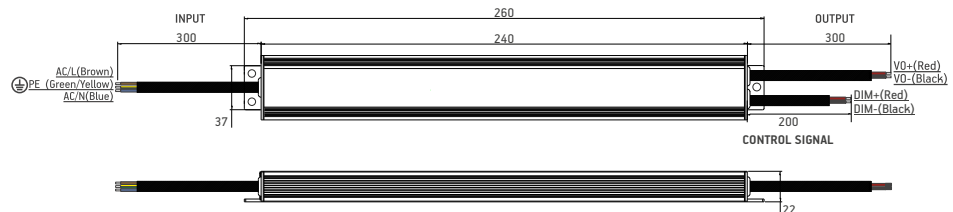
## QUANTITY OF DRIVERS PER CIRCUIT BREAKER

CIRCUIT BREAKER OF TYPE B 16 A	10 units (at 230 VAC)
CIRCUIT BREAKER OF TYPE C 16 A	20 units (at 230 VAC)

## ORDERING INFORMATION

SKU	VOLTAGE	UNIT NET WEIGHT, G	UNIT DIMENSIONS, MM	PCS/BOX
BPSP-36-12V.3-B	12 V	350.0	260x37x22	24
BPSP-36-24V.3-B	24 V	350.0	260x37x22	24

## DIMENSIONS





## GENERAL SPECIFICATIONS

EFFICIENCY	12 V   91% (230 VAC) 24 V   92% (230 VAC)
TURN ON DELAY	<1000mS (230 VAC)
OPERATING CONDITIONS	-20°C ~ +50°C; 20 ~ 95% humidity
STORAGE CONDITIONS	-40 °C ~ +80 °C; 10 ~ 95% humidity
IP CLASS	IP 67
PROTECTIONS INCLUDED	Short circuit Overload
WARRANTY	5 years

## INPUT

INPUT VOLTAGE RANGE	220 - 240 VAC, (50 - 60 Hz)
MAX INPUT AC CURRENT	0.9 A Max
MAX INRUSH CURRENT	50 A
POWER FACTOR	≥0.95 (230 VAC)

## OUTPUT

VOLTAGE   CURRENT	12 V   6.25A 24 V   3.13 A
MAX OUTPUT POWER	75 W

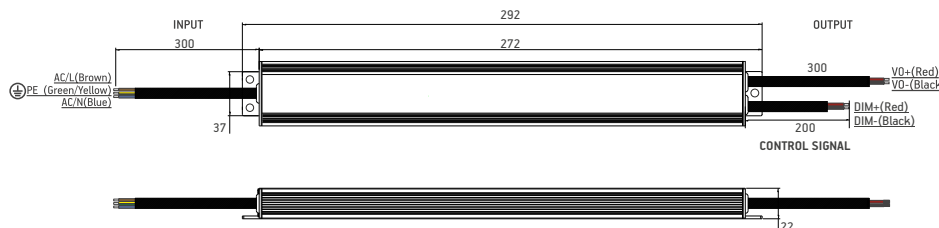
## QUANTITY OF DRIVERS PER CIRCUIT BREAKER

CIRCUIT BREAKER OF TYPE B 16 A	9 units (at 230 VAC)
CIRCUIT BREAKER OF TYPE C 16 A	14 units (at 230 VAC)

## ORDERING INFORMATION

SKU	VOLTAGE	UNIT NET WEIGHT, G	UNIT DIMENSIONS, MM	PCS/BOX
BPSP-75-12V.3-B	12 V	450.0	292x37x22	24
BPSP-75-24V.3-B	24 V	450.0	292x37x22	24

## DIMENSIONS



# SIGNBRIDGE PWM

BPSP-75-12/24V.3-B

- # outdoor metal
- # dimmable



75 W PWM LED driver

## FEATURES

- 3-in-1 dimming: PWM | 0-10V | 1-10V
- Metal housing design
- Built-in active PFC function
- IP67 rating for indoor or outdoor installations
- 5 years warranty

## CONFORMITY & STANDARDS

EMC Emission:

- compliance to EN55015, PART15B

EMC Immunity:

- EN55015
- EN61547
- EN61000-3-2
- EN61000-3-3
- CB
- CE-LVD:
  - IEC/EN61347-1
  - IEC/EN61347-2-13
  - UL8750
  - UL1310

# SIGNBRIDGE PWM

BPSP-100-12/24V.3-B

- # outdoor metal
- # dimmable



100 W PWM LED driver

## FEATURES

- 3-in-1 dimming: PWM | 0-10V | 1-10V
- Metal housing design
- Built-in active PFC function
- IP67 rating for indoor or outdoor installations
- 5 years warranty

## CONFORMITY & STANDARDS

EMC Emission:

- compliance to EN55015, PART15B

EMC Immunity:

- EN55015
- EN61547
- EN61000-3-2
- EN61000-3-3
- CB
- CE-LVD:
  - IEC/EN61347-1
  - IEC/EN61347-2-13
  - UL8750
  - UL1310



## GENERAL SPECIFICATIONS

EFFICIENCY	12 V   91% (230 VAC) 24 V   92% (230 VAC)
TURN ON DELAY	<1000mS (230 VAC)
OPERATING CONDITIONS	-20°C ~ +50°C; 20 ~ 95% humidity
STORAGE CONDITIONS	-40 °C ~ +80 °C; 10 ~ 95% humidity
IP CLASS	IP 67
PROTECTIONS INCLUDED	Short circuit Overload
WARRANTY	5 years

## INPUT

INPUT VOLTAGE RANGE	220 - 240 VAC, (50 - 60 Hz)
MAX INPUT AC CURRENT	1.2 A Max
MAX INRUSH CURRENT	50 A
POWER FACTOR	≥0.95 (230 VAC)

## OUTPUT

VOLTAGE   CURRENT	12 V   8.33A 24 V   4.17 A
MAX OUTPUT POWER	100 W

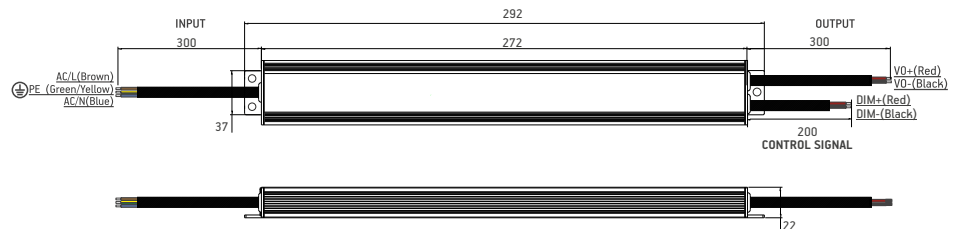
## QUANTITY OF DRIVERS PER CIRCUIT BREAKER

CIRCUIT BREAKER OF TYPE B 16 A	8 units (at 230 VAC)
CIRCUIT BREAKER OF TYPE C 16 A	14 units (at 230 VAC)

## ORDERING INFORMATION

SKU	VOLTAGE	UNIT NET WEIGHT, G	UNIT DIMENSIONS, MM	PCS/BOX
BPSP-100-12V.3-B	12 V	450.0	292x37x22	24
BPSP-100-24V.3-B	24 V	450.0	292x37x22	24

## DIMENSIONS







## GENERAL SPECIFICATIONS

EFFICIENCY	≥92% (230 VAC)
TURN ON DELAY	≤3000mS (230 VAC)
OPERATING CONDITIONS	-40°C ~ +45°C; 20 ~ 95% humidity
STORAGE CONDITIONS	-40 °C ~ +80 °C; 10 ~ 95% humidity
IP CLASS	IP 68
PROTECTIONS INCLUDED	Over current Short circuit Over voltage Over temperature
WARRANTY	5 years, ≥50 000 h

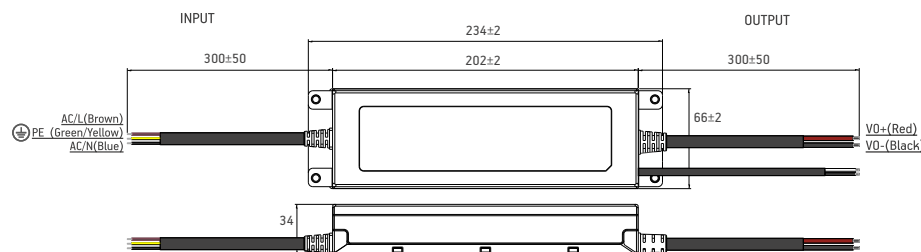
## QUANTITY OF DRIVERS PER CIRCUIT BREAKER

CIRCUIT BREAKER OF TYPE C 16 A	3 units (at 230 VAC)
CIRCUIT BREAKER OF TYPE C 25 A	8 units (at 230 VAC)

## ORDERING INFORMATION

SKU	VOLTAGE	UNIT NET WEIGHT, G	UNIT DIMENSIONS, MM	PCS/BOX
BPSP-150-12V.1-B	12 V	916	202 x 66 x 34	12
BPSP-150-24V.1-B	24 V	916	202 x 66 x 34	12
BPSP-150-48V.1-B	48 V	916	202 x 66 x 34	12

## DIMENSIONS



## INPUT

INPUT VOLTAGE RANGE	100 - 240 VAC, (50 - 60 Hz)
MAX INPUT AC CURRENT	2.1 A Max
MAX INRUSH CURRENT	≤70 A (100-277 VAC)
POWER FACTOR	≥0.95 (230 VAC)

## OUTPUT

VOLTAGE   CURRENT	12 V   12.5 A 24 V   6.25 A 48 V   3.13 A
MAX OUTPUT POWER	150 W

# SIGNBRIDGE PWM

BPSP-150-12/24/48V.1-B

- # outdoor metal
- # dimmable



150 W PWM LED driver

## FEATURES

- 3-in-1 dimming: resistors | PWM | 0-10V
- Metal housing design with functional ground
- Built-in active PFC function

## CONFORMITY & STANDARDS

EMC Emission:

- compliance to EN55015, PART15B

EMC Immunity:

- EN55015
- EN61547
- EN61000-3-2
- EN61000-3-3
- CB
- CE-LVD:
- IEC/EN61347-1
- IEC/EN61347-2-13
- UL8750
- UL1310

# SIGNBRIDGE PWM

BPSP-200-24V.3-B

- # outdoor metal
- # dimmable



200 W PWM LED driver

## FEATURES

- 3-in-1 dimming: PWM | 0-10V | 1-10V
- Metal housing design
- Built-in active PFC function
- IP67 rating for indoor or outdoor installations
- 5 years warranty

## CONFORMITY & STANDARDS

EMC Emission:

- compliance to EN55015, PART15B

EMC Immunity:

- EN55015
- EN61547
- EN61000-3-2
- EN61000-3-3
- CB
- CE-LVD:
  - IEC/EN61347-1
  - IEC/EN61347-2-13
  - UL8750
  - UL1310



## GENERAL SPECIFICATIONS

EFFICIENCY	92% (230 VAC)
TURN ON DELAY	<1000mS (230 VAC)
OPERATING CONDITIONS	-40°C ~ +60°C; 20 ~ 95% humidity
STORAGE CONDITIONS	-40 °C ~ +80 °C; 10 ~ 95% humidity
IP CLASS	IP 67
PROTECTIONS INCLUDED	Short circuit Overload
WARRANTY	5 years

## INPUT

INPUT VOLTAGE RANGE	220 - 240 VAC, (50 - 60 Hz)
MAX INPUT AC CURRENT	1.4 A Max
MAX INRUSH CURRENT	60 A
POWER FACTOR	≥0.95 (230 VAC)

## OUTPUT

VOLTAGE   CURRENT	24 V   8.33A
MAX OUTPUT POWER	200 W

## QUANTITY OF DRIVERS PER CIRCUIT BREAKER

CIRCUIT BREAKER OF TYPE B 16 A	4 units (at 230 VAC)
CIRCUIT BREAKER OF TYPE C 16 A	7 units (at 230 VAC)

## ORDERING INFORMATION

SKU	VOLTAGE	UNIT NET WEIGHT, G	UNIT DIMENSIONS, MM	PCS/BOX
BPSP-200-24V.3-B	24 V	580.0	362x37x22	30

## DIMENSIONS



# SIGNBRIDGE PLUS

INDOOR PLASTIC | OUTDOOR & SLIM OUTDOOR  
METAL POWER SUPPLIES



# SIGNBRIDGE PLUS

BPSP.I-36-12/24V.3

# indoor plastic



36 W LED driver

## FEATURES

- Plastic housing design
- Slender design
- IP20 rating for indoor installations
- 5 years warranty

## CONFORMITY & STANDARDS

EMC Emission:

- compliance to EN55015, PART15B

EMC Immunity:

- EN55015
- EN61547
- EN61000-3-2
- EN61000-3-3
- CB
- CE-LVD:
  - IEC/EN61347-1
  - IEC/EN61347-2-13
  - UL8750
  - UL1310



## GENERAL SPECIFICATIONS

EFFICIENCY	12 V   85% (230 VAC) 24 V   86% (230 VAC)
OPERATING CONDITIONS	-20°C ~ +50°C; 20 ~ 95% humidity
STORAGE CONDITIONS	-40 °C ~ +80 °C; 10 ~ 95% humidity
IP CLASS	IP 20
PROTECTIONS INCLUDED	Short circuit Overload
WARRANTY	5 years

## INPUT

INPUT VOLTAGE RANGE	220 - 240 VAC, (50 - 60 Hz)
MAX INPUT AC CURRENT	0.25 A Max
MAX INRUSH CURRENT	40 A
POWER FACTOR	≥0.95 (230 VAC)

## OUTPUT

VOLTAGE   CURRENT	12 V   3A 24 V   1.5 A
MAX OUTPUT POWER	36 W

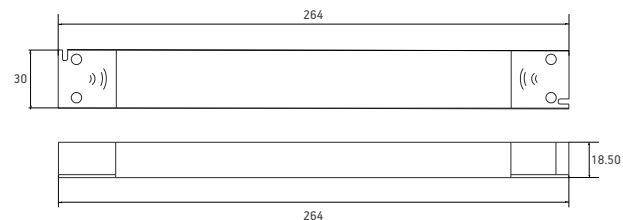
## QUANTITY OF DRIVERS PER CIRCUIT BREAKER

CIRCUIT BREAKER OF TYPE B 16 A	10 units (at 230 VAC)
CIRCUIT BREAKER OF TYPE C 16 A	20 units (at 230 VAC)

## ORDERING INFORMATION

SKU	VOLTAGE	UNIT NET WEIGHT, G	UNIT DIMENSIONS, MM	PCS/BOX
BPSP.I-36-12V.3	12 V	280.0	264x30x18.5	56
BPSP.I-36-24V.3	24 V	280.0	264x30x18.5	56

## DIMENSIONS





## GENERAL SPECIFICATIONS

EFFICIENCY	12 V   91% (230 VAC) 24 V   93% (230 VAC)
OPERATING CONDITIONS	-20°C ~ +50°C; 20 ~ 95% humidity
STORAGE CONDITIONS	-40 °C ~ +80 °C; 10 ~ 95% humidity
IP CLASS	IP 20
PROTECTIONS INCLUDED	Short circuit Overload
WARRANTY	5 years

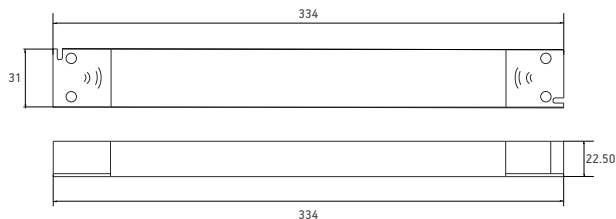
## QUANTITY OF DRIVERS PER CIRCUIT BREAKER

CIRCUIT BREAKER OF TYPE B 16 A	9 units (at 230 VAC)
CIRCUIT BREAKER OF TYPE C 16 A	14 units (at 230 VAC)

## ORDERING INFORMATION

SKU	VOLTAGE	UNIT NET WEIGHT, G	UNIT DIMENSIONS, MM	PCS/BOX
BPSP.I-75-12V.3	12 V	320.0	334x31x22.5	54
BPSP.I-75-24V.3	24 V	320.0	334x31x22.5	54

## DIMENSIONS



## INPUT

INPUT VOLTAGE RANGE	220 - 240 VAC, (50 - 60 Hz)
MAX INPUT AC CURRENT	0.45 A Max
MAX INRUSH CURRENT	50 A
POWER FACTOR	≥0.95 (230 VAC)

## OUTPUT

VOLTAGE   CURRENT	12 V   6.25 A 24 V   3.13 A
MAX OUTPUT POWER	75 W

# SIGNBRIDGE PLUS

BPSP.I-75-12/24V.3

# indoor plastic



75 W PWM LED driver

## FEATURES

- Plastic housing design
- Slender design
- IP20 rating for indoor installations
- 5 years warranty

## CONFORMITY & STANDARDS

EMC Emission:

- compliance to EN55015, PART15B

EMC Immunity:

- EN55015
- EN61547
- EN61000-3-2
- EN61000-3-3
- CB
- CE-LVD:
  - IEC/EN61347-1
  - IEC/EN61347-2-13
  - UL8750
  - UL1310

# SIGNBRIDGE PLUS

BPSP.I-100-12/24V.3

# indoor plastic



100 W LED driver

## FEATURES

- Plastic housing design
- Slender design
- IP20 rating for indoor installations
- 5 years warranty

## CONFORMITY & STANDARDS

EMC Emission:

- compliance to EN55015, PART15B

EMC Immunity:

- EN55015
- EN61547
- EN61000-3-2
- EN61000-3-3
- CB
- CE-LVD:
  - IEC/EN61347-1
  - IEC/EN61347-2-13
  - UL8750
  - UL1310



## GENERAL SPECIFICATIONS

EFFICIENCY	12 V   92% (230 VAC) 24 V   93% (230 VAC)
OPERATING CONDITIONS	-20°C ~ +50°C; 20 ~ 95% humidity
STORAGE CONDITIONS	-40 °C ~ +80 °C; 10 ~ 95% humidity
IP CLASS	IP 20
PROTECTIONS INCLUDED	Short circuit Overload
WARRANTY	5 years

## INPUT

INPUT VOLTAGE RANGE	220 - 240 VAC, (50 - 60 Hz)
MAX INPUT AC CURRENT	0.6 A Max
MAX INRUSH CURRENT	50 A
POWER FACTOR	≥0.95 (230 VAC)

## OUTPUT

VOLTAGE   CURRENT	12 V   8.33A 24 V   4.17 A
MAX OUTPUT POWER	100 W

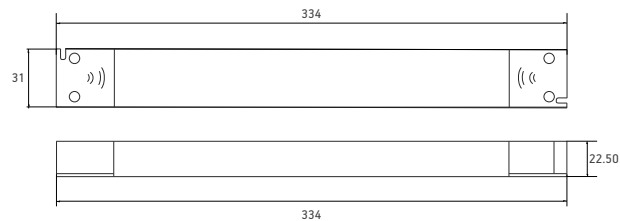
## QUANTITY OF DRIVERS PER CIRCUIT BREAKER

CIRCUIT BREAKER OF TYPE B 16 A	8 units (at 230 VAC)
CIRCUIT BREAKER OF TYPE C 16 A	14 units (at 230 VAC)

## ORDERING INFORMATION

SKU	VOLTAGE	UNIT NET WEIGHT, G	UNIT DIMENSIONS, MM	PCS/BOX
BPSP.I-100-12V.3	12 V	320.0	334x31x22.5	54
BPSP.I-100-24V.3	24 V	320.0	334x31x22.5	54

## DIMENSIONS





## GENERAL SPECIFICATIONS

EFFICIENCY	12 V   92% (230 VAC) 24 V   93% (230 VAC)
OPERATING CONDITIONS	-20°C ~ +50°C; 20 ~ 95% humidity
STORAGE CONDITIONS	-40 °C ~ +80 °C; 10 ~ 95% humidity
IP CLASS	IP 20
PROTECTIONS INCLUDED	Short circuit Overload
WARRANTY	5 years

## QUANTITY OF DRIVERS PER CIRCUIT BREAKER

CIRCUIT BREAKER OF TYPE B 16 A	5 units (at 230 VAC)
CIRCUIT BREAKER OF TYPE C 16 A	8 units (at 230 VAC)

## ORDERING INFORMATION

SKU	VOLTAGE	UNIT NET WEIGHT, G	UNIT DIMENSIONS, MM	PCS/BOX
BPSP.I-150-12V.3	12 V	375.0	364x31x22.5	56
BPSP.I-150-24V.3	24 V	320.0	334x31x22.5	54

## DIMENSIONS & PACKAGING INFO



## INPUT

INPUT VOLTAGE RANGE	220 - 240 VAC, (50 - 60 Hz)
MAX INPUT AC CURRENT	0.85 A Max
MAX INRUSH CURRENT	60 A
POWER FACTOR	≥0.95 (230 VAC)

## OUTPUT

VOLTAGE   CURRENT	12 V   12.5 A 24 V   6.25 A
MAX OUTPUT POWER	150 W

# SIGNBRIDGE PLUS

BPSP.I-150-12/24V.3

# indoor plastic



150 W PWM LED driver

## FEATURES

- Plastic housing design
- Slender design
- IP20 rating for indoor installations
- 5 years warranty

## CONFORMITY & STANDARDS

EMC Emission:

- compliance to EN55015, PART15B

EMC Immunity:

- EN55015
- EN61547
- EN61000-3-2
- EN61000-3-3
- CB
- CE-LVD:
  - IEC/EN61347-1
  - IEC/EN61347-2-13
  - UL8750
  - UL1310

# SIGNBRIDGE PLUS

BPSP.I-200-24V.3

# indoor plastic



200 W LED driver

## FEATURES

- Plastic housing design
- Slender design
- IP20 rating for indoor installations
- 5 years warranty

## CONFORMITY & STANDARDS

EMC Emission:

- compliance to EN55015, PART15B

EMC Immunity:

- EN55015
- EN61547
- EN61000-3-2
- EN61000-3-3
- CB
- CE-LVD:
  - IEC/EN61347-1
  - IEC/EN61347-2-13
  - UL8750
  - UL1310



## GENERAL SPECIFICATIONS

EFFICIENCY	93% (230 VAC)
OPERATING CONDITIONS	-20°C ~ +50°C; 20 ~ 95% humidity
STORAGE CONDITIONS	-40 °C ~ +80 °C; 10 ~ 95% humidity
IP CLASS	IP 20
PROTECTIONS INCLUDED	Short circuit Overload
WARRANTY	5 years

## INPUT

INPUT VOLTAGE RANGE	220 - 240 VAC, (50 - 60 Hz)
MAX INPUT AC CURRENT	0.6 A Max
MAX INRUSH CURRENT	50 A
POWER FACTOR	≥0.95 (230 VAC)

## OUTPUT

VOLTAGE   CURRENT	24 V   8.33A
MAX OUTPUT POWER	200 W

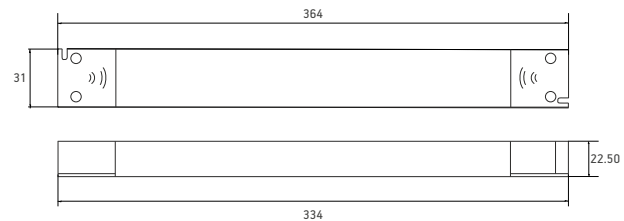
## QUANTITY OF DRIVERS PER CIRCUIT BREAKER

CIRCUIT BREAKER OF TYPE B 16 A	4 units (at 230 VAC)
CIRCUIT BREAKER OF TYPE C 16 A	7 units (at 230 VAC)

## ORDERING INFORMATION

SKU	VOLTAGE	UNIT NET WEIGHT, G	UNIT DIMENSIONS, MM	PCS/BOX
BPSP.I-200-24V.3	24 V	375.0	364x31x22.5	56

## DIMENSIONS







## GENERAL SPECIFICATIONS

EFFICIENCY	≥84% (230 VAC)
TURN ON DELAY	≤3000mS (230 VAC)
OPERATING CONDITIONS	-20°C ~ +60°C; 20 ~ 95% humidity
STORAGE CONDITIONS	-40 °C ~ +80 °C; 10 ~ 95% humidity
IP CLASS	IP 67
PROTECTIONS INCLUDED	Over current Short circuit Over voltage
WARRANTY	5 years, ≥50 000 h

## INPUT

INPUT VOLTAGE RANGE	200 - 240 VAC, (50 - 60 Hz)
MAX INPUT AC CURRENT	0.3 A Max
MAX INRUSH CURRENT	≤30 A (180-264 VAC)
POWER FACTOR	≥0.55 (220 VAC)

## OUTPUT

VOLTAGE   CURRENT	12 V   1.66 A
MAX OUTPUT POWER	20 W

# SIGNBRIDGE PLUS

## BPSP-20-12V.1

# outdoor metal



20 W LED driver

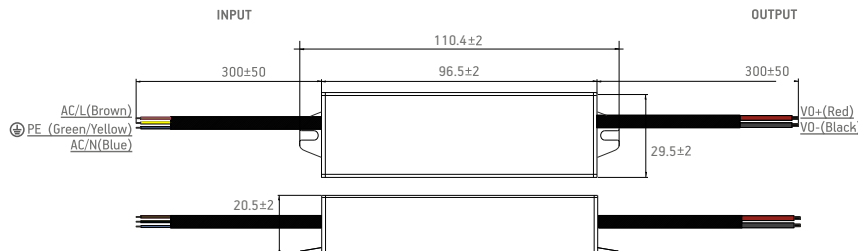
## QUANTITY OF DRIVERS PER CIRCUIT BREAKER

CIRCUIT BREAKER OF TYPE B 16 A	35 units (at 230 VAC)
CIRCUIT BREAKER OF TYPE C 16 A	45 units (at 230 VAC)

## ORDERING INFORMATION

SKU	VOLTAGE	UNIT NET WEIGHT, G	UNIT DIMENSIONS, MM	PCS/BOX
BPSP-20-12V.1	12 V	270	110.4 x 29.5 x 20.5	40

## DIMENSIONS



## FEATURES

- Metal housing design
- IP67 rating for indoor or outdoor installations
- 5 years warranty

## CONFORMITY & STANDARDS

EMC Emission:

- compliance to EN55015

EMC Immunity:

- EN55015

# SIGNBRIDGE PLUS

BPSP-40-12/24V.1



# outdoor metal



40 W LED driver

## FEATURES

- Metal housing design with functional ground
- Built-in active PFC function
- IP68 rating for indoor or outdoor installations
- 5 years warranty

## CONFORMITY & STANDARDS

EMC Emission:

- compliance to EN55015

EMC Immunity:

- EN55015
- EN61547
- EN61000-3-2
- EN61000-3-3
- CB
- CE-LVD:
  - IEC/EN61347-1
  - IEC/EN61347-2-13

## GENERAL SPECIFICATIONS

EFFICIENCY	≥86% (230 VAC)
TURN ON DELAY	≤3000mS (230 VAC)
OPERATING CONDITIONS	-40°C ~ +60°C; 20 ~ 95% humidity
STORAGE CONDITIONS	-40 °C ~ +80 °C; 10 ~ 95% humidity
IP CLASS	IP 68
PROTECTIONS INCLUDED	Over current Short circuit Over voltage
WARRANTY	5 years, ≥50 000 h

## INPUT

INPUT VOLTAGE RANGE	200 - 240 VAC, (50 - 60 Hz)
MAX INPUT AC CURRENT	0.3 A Max
MAX INRUSH CURRENT	≤50 A (100-277 VAC)
MOC FACTOR	≥0.95 (230 VAC)

## OUTPUT

VOLTAGE   CURRENT	12 V   3.3 A 24 V   1.67 A
MAX OUTPUT MOC	40 W

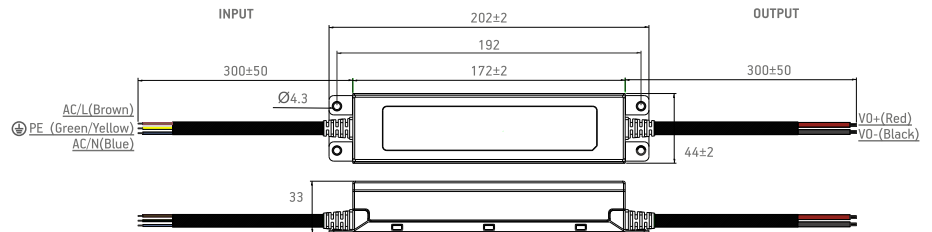
## QUANTITY OF DRIVERS PER CIRCUIT BREAKER

CIRCUIT BREAKER OF TYPE C 16 A	28 units (at 230 VAC)
--------------------------------	-----------------------

## ORDERING INFORMATION

SKU	VOLTAGE	UNIT NET WEIGHT, G	UNIT DIMENSIONS, MM	PCS/BOX
BPSP-40-12V.1	12 V	450	172 x 44 x 33	25
BPSP-40-24V.1	24 V	450	172 x 44 x 33	25

## DIMENSIONS





## GENERAL SPECIFICATIONS

EFFICIENCY	≥86% (230 VAC)
TURN ON DELAY	≤3000mS (230 VAC)
OPERATING CONDITIONS	-40°C ~ +55°C; 20 ~ 95% humidity
STORAGE CONDITIONS	-40 °C ~ +80 °C; 10 ~ 95% humidity
IP CLASS	IP 68
PROTECTIONS INCLUDED	Over current Short circuit Over voltage Over temperature
WARRANTY	5 years, ≥50 000 h

## INPUT

INPUT VOLTAGE RANGE	200 - 240 VAC, (50 - 60 Hz)
MAX INPUT AC CURRENT	0.5 A Max
MAX INRUSH CURRENT	≤50 A
POWER FACTOR	≥0.90 (230 VAC)

## OUTPUT

VOLTAGE   CURRENT	12 V   5 A 24 V   2.5 A
MAX OUTPUT POWER	60 W

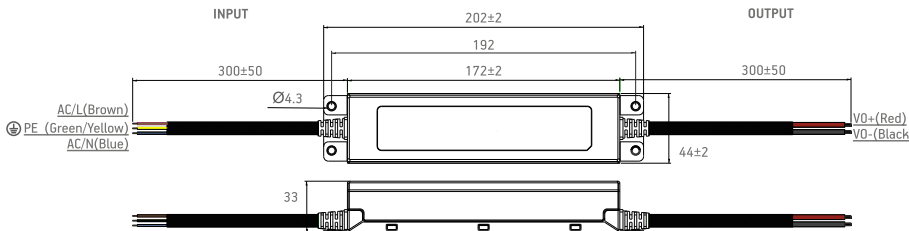
## QUANTITY OF DRIVERS PER CIRCUIT BREAKER

CIRCUIT BREAKER OF TYPE B 16 A	5 units (at 230 VAC)
CIRCUIT BREAKER OF TYPE C 16 A	8 units (at 230 VAC)

## ORDERING INFORMATION

SKU	VOLTAGE	UNIT NET WEIGHT, G	UNIT DIMENSIONS, MM	PCS/BOX
BPSP-60-12V.1	12 V	450	172 x 44 x 33	25
BPSP-60-24V.1	24 V	450	172 x 44 x 33	25

## DIMENSIONS



# SIGNBRIDGE PLUS

## BPSP-60-12/24V.1

# outdoor metal



60 W LED driver

## FEATURES

- Metal housing design with functional ground
- Built-in active PFC function
- IP68 rating for indoor or outdoor installations
- 5 years warranty

## CONFORMITY & STANDARDS

EMC Emission:

- compliance to EN55015

EMC Immunity:

- EN55015
- EN61547
- EN61000-3-2
- EN61000-3-3
- CB
- ENEC

CE-LVD:

- IEC/EN61347-1
- IEC/EN61347-2-13
- UL8750
- UL1310

# SIGNBRIDGE PLUS

BPSP-100-12/24V.1

# outdoor metal



100 W LED driver

## FEATURES

- Metal housing design with functional ground
- Built-in active PFC function
- IP68 rating for indoor or outdoor installations
- 5 years warranty

## CONFORMITY & STANDARDS

EMC Emission:

- compliance to EN55015

EMC Immunity:

- EN55015
- EN61547
- EN61000-3-2
- EN61000-3-3
- CB
- ENEC

CE-LVD:

- IEC/EN61347-1
- IEC/EN61347-2-13
- UL8750
- UL1310



## GENERAL SPECIFICATIONS

EFFICIENCY	≥88% (230 VAC)
TURN ON DELAY	≤3000mS (230 VAC)
OPERATING CONDITIONS	-40°C ~ +55°C; 20 ~ 95% humidity
STORAGE CONDITIONS	-40 °C ~ +80 °C; 10 ~ 95% humidity
IP CLASS	IP 68
PROTECTIONS INCLUDED	Over current Short circuit Over voltage Over temperature
WARRANTY	5 years, ≥50 000 h

## INPUT

INPUT VOLTAGE RANGE	200 - 240 VAC, (50 - 60 Hz)
MAX INPUT AC CURRENT	0.8 A Max
MAX INRUSH CURRENT	≤80 A
POWER FACTOR	≥0.95 (230 VAC)

## OUTPUT

VOLTAGE   CURRENT	12 V   8.33 A 24 V   4.16 A
MAX OUTPUT POWER	100 W

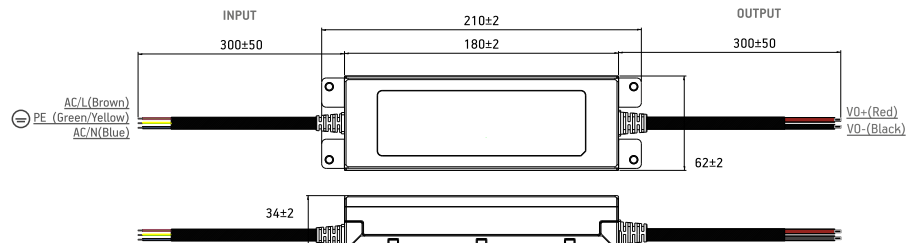
## QUANTITY OF DRIVERS PER CIRCUIT BREAKER

CIRCUIT BREAKER OF TYPE B 16 A	3 units (at 230 VAC)
CIRCUIT BREAKER OF TYPE C 16 A	8 units (at 230 VAC)

## ORDERING INFORMATION

SKU	VOLTAGE	UNIT NET WEIGHT, G	UNIT DIMENSIONS, MM	PCS/BOX
BPSP-100-12V.1	12 V	750	180 x 62 x 34	12
BPSP-100-24V.1	24 V	750	180 x 62 x 34	12

## DIMENSIONS





# SIGNBRIDGE PLUS

## BPSP-150-12/24V.1

# outdoor metal



150 W LED driver

## FEATURES

- Metal housing design with functional ground
- Built-inactive PFC function
- Ip68 rating for indoor or outdoor installations
- 5 years warranty

## CONFORMITY & STANDARDS

EMC Emission:

- compliance to EN55015

EMC Immunity:

- EN55015
- EN61547
- EN61000-3-2
- EN61000-3-3
- CB
- CE-LVD:
  - IEC/EN61347-1
  - IEC/EN61347-2-13
  - UL8750
  - UL1310

## GENERAL SPECIFICATIONS

EFFICIENCY	12 V   $\geq 92\%$ (230 VAC) 24 V   $\geq 87\%$ (230 VAC)
TURN ON DELAY	$\leq 3000\text{mS}$ (230 VAC)
OPERATING CONDITIONS	-40°C ~ +45°C; 20 ~ 95% humidity
STORAGE CONDITIONS	-40 °C ~ +80 °C; 10 ~ 95% humidity
IP CLASS	IP 68
PROTECTIONS INCLUDED	Over current Short circuit Over voltage Over temperature
WARRANTY	5 years, $\geq 50\,000$ h

## INPUT

INPUT VOLTAGE RANGE	200 - 240 VAC, (50 - 60 Hz)
MAX INPUT AC CURRENT	12V: 2.1 A Max 24V: 1 A Max
MAX INRUSH CURRENT	12V: $\leq 70$ A 24V: $\leq 50$ A:
POWER FACTOR	$\geq 0.95$ (230 VAC)

## OUTPUT

VOLTAGE   CURRENT	12 V   12.5 A 24 V   6.25 A
MAX OUTPUT POWER	150 W

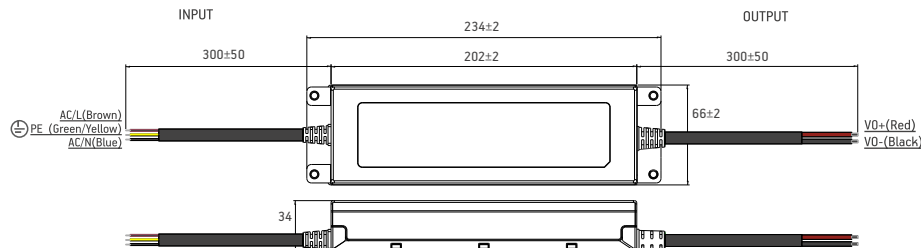
## QUANTITY OF DRIVERS PER CIRCUIT BREAKER

CIRCUIT BREAKER OF TYPE B 16 A	3 units (at 230 VAC)
CIRCUIT BREAKER OF TYPE C 16 A	8 units (at 230 VAC)

## ORDERING INFORMATION

SKU	VOLTAGE	UNIT NET WEIGHT, G	UNIT DIMENSIONS, MM	PCS/BOX
BPSP-150-12V.1	12 V	916	202 x 66 x 34	12
BPSP-150-24V.1	24 V	916	202 x 66 x 34	12

## DIMENSIONS



# SIGNBRIDGE PLUS

BPSP-250-12/24V.2



# outdoor metal



250 W LED driver

## FEATURES

- Metal housing design with functional ground
- Built-in active PFC function
- IP67 rating for indoor or outdoor installations
- 5 years warranty

## CONFORMITY & STANDARDS

EMC Emission:

- compliance to EN55015

EMC Immunity:

- EN55015
- EN61547
- EN61000-3-2
- EN61000-3-3
- CB
- ENEC

CE-LVD:

- IEC/EN61347-1
- IEC/EN61347-2-13
- UL8750
- UL1310

## GENERAL SPECIFICATIONS

EFFICIENCY	12 V   90% (230 VAC) 24 V   92% (230 VAC)
TURN ON DELAY	<1000mS (230 VAC)
OPERATING CONDITIONS	-25°C ~ +50°C; 20 ~ 95% humidity
STORAGE CONDITIONS	-40 °C ~ +80 °C; 10 ~ 95% humidity
IP CLASS	IP 67
PROTECTIONS INCLUDED	Short circuit Overload
WARRANTY	5 years

## INPUT

INPUT VOLTAGE RANGE	200 - 240 VAC, (50 - 60 Hz)
MAX INPUT AC CURRENT	1.41 A Max
MAX INRUSH CURRENT	35 A
POWER FACTOR	≥0.95 (230 VAC)

## OUTPUT

VOLTAGE   CURRENT	12 V   20.83 A 24 V   10.42 A
MAX OUTPUT POWER	250 W

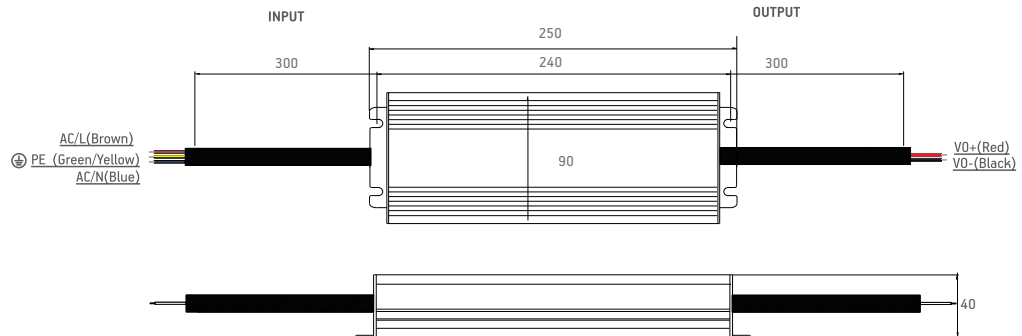
## QUANTITY OF DRIVERS PER CIRCUIT BREAKER

CIRCUIT BREAKER OF TYPE B 16 A	8 units (at 230 VAC)
CIRCUIT BREAKER OF TYPE C 16 A	8 units (at 230 VAC)

## ORDERING INFORMATION

SKU	VOLTAGE	UNIT NET WEIGHT, G	UNIT DIMENSIONS, MM	PCS/BOX
BPSP-250-12V.1	12 V	1490	250 x 90 x40	10
BPSP-250-24V.1	24 V	1490	250 x 90 x40	10

## DIMENSIONS





## GENERAL SPECIFICATIONS

EFFICIENCY	12 V   83% (230 VAC) 24 V   84% (230 VAC)
TURN ON DELAY	<1000mS (230 VAC)
OPERATING CONDITIONS	-40°C ~ +70°C; 20 ~ 95% humidity
STORAGE CONDITIONS	-40 °C ~ +80 °C; 10 ~ 95% humidity
IP CLASS	IP 67
PROTECTIONS INCLUDED	Short circuit Overload
WARRANTY	5 years

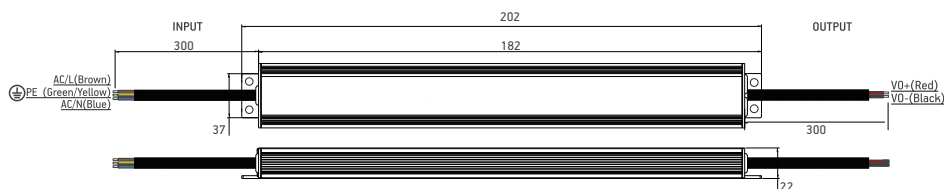
## QUANTITY OF DRIVERS PER CIRCUIT BREAKER

CIRCUIT BREAKER OF TYPE B 16 A	10 units (at 230 VAC)
CIRCUIT BREAKER OF TYPE C 16 A	20 units (at 230 VAC)

## ORDERING INFORMATION

SKU	VOLTAGE	UNIT NET WEIGHT, G	UNIT DIMENSIONS, MM	PCS/BOX
BPSPS-36-12V.3	12 V	300	202 x 37 x 22	40
BPSPS-36-24V.3	24 V	300	202 x 37 x 22	40

## DIMENSIONS



## INPUT

INPUT VOLTAGE RANGE	200 - 240 VAC, (50 - 60 Hz)
MAX INPUT AC CURRENT	0.3 A Max
MAX INRUSH CURRENT	40 A
POWER FACTOR	≥0.95 (230 VAC)

## OUTPUT

VOLTAGE   CURRENT	12 V   3 A 24 V   1.5 A
OUTPUT VOLTAGE	12 V   24 V
MAX OUTPUT POWER	36 W

# SIGNBRIDGE SLIM

## BPSP.S-36-12/24V.3

# outdoor metal  
# slim



36 W LED driver

## FEATURES

- Metal housing design with functional ground
- Built-in inactive PFC function
- Slender design
- IP67 rating for indoor and outdoor installations
- 5 years warranty

## CONFORMITY & STANDARDS

EMC Emission:

- compliance to EN55015

EMC Immunity:

- EN55015
- EN61547
- EN61000-3-2
- EN61000-3-3
- CB
- CE-LVD:
  - IEC/EN61347-1
  - IEC/EN61347-2-13
  - UL8750
  - UL1310

# SIGNBRIDGE SLIM

BPSP.S-60-12V.1

- # outdoor metal
- # slim



60 W LED driver

## FEATURES

- Metal housing design with functional ground
- Built-in active PFC function
- Slender design
- IP68 rating for indoor and outdoor installations
- 5 years warranty

## CONFORMITY & STANDARDS

EMC Emission:

- compliance to EN55015

EMC Immunity:

- EN55015
- EN61547
- EN61000-3-2
- EN61000-3-3
- CB
- CE-LVD:
  - IEC/EN61347-1
  - IEC/EN61347-2-13
  - UL8750
  - UL1310



## GENERAL SPECIFICATIONS

EFFICIENCY	≥85% (230 VAC)
TURN ON DELAY	3000 ms (230 VAC)
OPERATING CONDITIONS	-40°C ~ +50°C; 20 ~ 95% humidity
STORAGE CONDITIONS	-40 °C ~ +80 °C; 10 ~ 95% humidity
IP CLASS	IP 68
PROTECTIONS INCLUDED	Over current Short circuit Over voltage Over temperature
WARRANTY	5 years, ≥50 000 h

## INPUT

INPUT VOLTAGE RANGE	100 - 240 VAC, (47 - 63 Hz)
MAX INPUT AC CURRENT	0.9 A Max
MAX INRUSH CURRENT	≤60 A
POWER FACTOR	≥0.95 (230 VAC)

## OUTPUT

VOLTAGE   CURRENT	12 V   5 A
MAX OUTPUT POWER	60 W

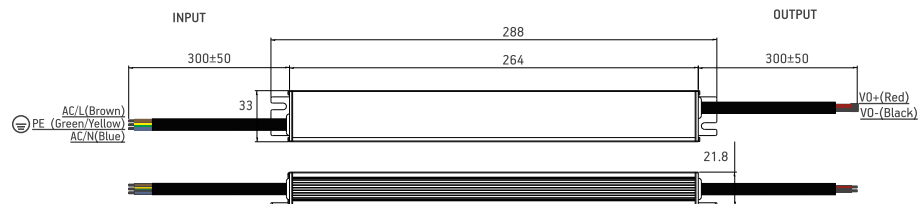
## QUANTITY OF DRIVERS PER CIRCUIT BREAKER

CIRCUIT BREAKER OF TYPE B 16 A	30 units (at 230 VAC)
CIRCUIT BREAKER OF TYPE C 16 A	40 units (at 230 VAC)

## ORDERING INFORMATION

SKU	VOLTAGE	UNIT NET WEIGHT, G	UNIT DIMENSIONS, MM	PCS/BOX
BPSP.S-60-12V.1	12 V	360	264 x 33 x 21.8	25

## DIMENSIONS







## GENERAL SPECIFICATIONS

EFFICIENCY	90% (230 VAC)
TURN ON DELAY	<1000mS (230 VAC)
OPERATING CONDITIONS	-40°C ~ +70°C; 20 ~ 95% humidity
STORAGE CONDITIONS	-40 °C ~ +80 °C; 10 ~ 95% humidity
IP CLASS	IP 67
PROTECTIONS INCLUDED	Short circuit Overload
WARRANTY	5 years

## INPUT

INPUT VOLTAGE RANGE	200 - 240 VAC, (50 - 60 Hz)
MAX INPUT AC CURRENT	0.55 A Max
MAX INRUSH CURRENT	50 A
POWER FACTOR	≥0.95 (230 VAC)

## OUTPUT

VOLTAGE   CURRENT	12 V   6.25 A 24 V   3.13 A
MAX OUTPUT POWER	75 W

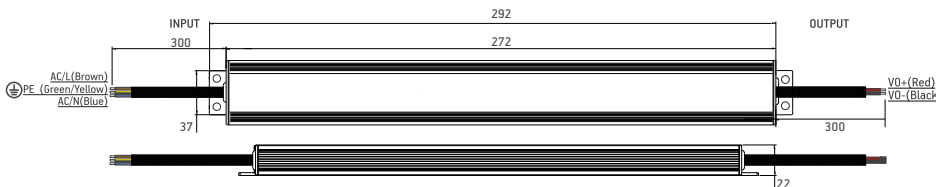
## QUANTITY OF DRIVERS PER CIRCUIT BREAKER

CIRCUIT BREAKER OF TYPE B 16 A	9 units (at 230 VAC)
CIRCUIT BREAKER OF TYPE C 16 A	14 units (at 230 VAC)

## ORDERING INFORMATION

SKU	VOLTAGE	UNIT NET WEIGHT, G	UNIT DIMENSIONS, MM	PCS/BOX
BPSPS-75-12V.3	12 V	430	292 x 37 x 22	24
BPSPS-75-24V.3	24 V	430	292 x 37 x 22	24

## DIMENSIONS



# SIGNBRIDGE SLIM

## BPSP.S-75-12/24V.3

# outdoor metal  
# slim



75 W LED driver

## FEATURES

- Metal housing design with functional ground
- Built-in active PFC function
- Slender design
- IP67 rating for indoor and outdoor installations
- 5 years warranty

## CONFORMITY & STANDARDS

EMC Emission:

- compliance to EN55015

EMC Immunity:

- EN55015
- EN61547
- EN61000-3-2
- EN61000-3-3
- CB
- CE-LVD:
  - IEC/EN61347-1
  - IEC/EN61347-2-13
  - UL8750
  - UL1310

# SIGNBRIDGE SLIM

BPSP.S-100-12/24V.3

- # outdoor metal
- # slim



100 W LED driver

## FEATURES

- Metal housing design with functional ground
- Built-in active PFC function
- Slender design
- IP67 rating for indoor and outdoor installations
- 5 years warranty

## CONFORMITY & STANDARDS

EMC Emission:

- compliance to EN55015

EMC Immunity:

- EN55015
- EN61547
- EN61000-3-2
- EN61000-3-3
- CB
- CE-LVD:
  - IEC/EN61347-1
  - IEC/EN61347-2-13
  - UL8750
  - UL1310



## GENERAL SPECIFICATIONS

EFFICIENCY	90% (230 VAC)
TURN ON DELAY	<1000mS (230 VAC)
OPERATING CONDITIONS	-40°C ~ +70°C; 20 ~ 95% humidity
STORAGE CONDITIONS	-40 °C ~ +80 °C; 10 ~ 95% humidity
IP CLASS	IP 67
PROTECTIONS INCLUDED	Short circuit Overload
WARRANTY	5 years

## INPUT

INPUT VOLTAGE RANGE	200 - 240 VAC, (50 - 60 Hz)
MAX INPUT AC CURRENT	0.75 A Max
MAX INRUSH CURRENT	50 A
POWER FACTOR	≥0.95 (230 VAC)

## OUTPUT

VOLTAGE   CURRENT	12 V   6.25 A 24 V   3.13 A
MAX OUTPUT POWER	75 W

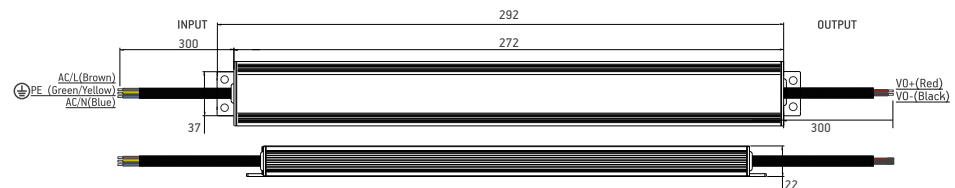
## QUANTITY OF DRIVERS PER CIRCUIT BREAKER

CIRCUIT BREAKER OF TYPE B 16 A	8 units (at 230 VAC)
CIRCUIT BREAKER OF TYPE C 16 A	14 units (at 230 VAC)

## ORDERING INFORMATION

SKU	VOLTAGE	UNIT NET WEIGHT, G	UNIT DIMENSIONS, MM	PCS/BOX
BPSP.S-100-12V.3	12 V	440	292 x 37 x 22	24
BPSP.S-100-24V.3	24 V	440	292 x 37 x 22	24

## DIMENSIONS





## GENERAL SPECIFICATIONS

EFFICIENCY	≥92% (230 VAC)
TURN ON DELAY	3000 ms (230 VAC)
OPERATING CONDITIONS	-40°C ~ +50°C; 20 ~ 95% humidity
STORAGE CONDITIONS	-40 °C ~ +80 °C; 10 ~ 95% humidity
IP CLASS	IP 68
PROTECTIONS INCLUDED	Over current Short circuit Over voltage Over temperature
WARRANTY	5 years, ≥50 000 h

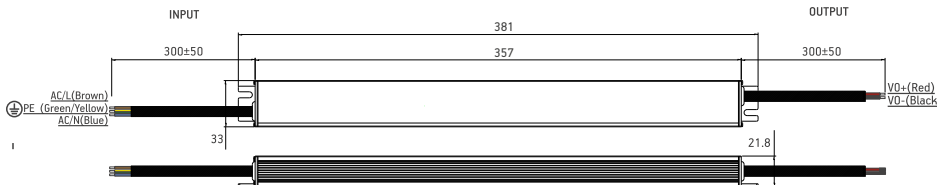
## QUANTITY OF DRIVERS PER CIRCUIT BREAKER

CIRCUIT BREAKER OF TYPE B 16 A	20 units (at 230 VAC)
CIRCUIT BREAKER OF TYPE C 16 A	30 units (at 230 VAC)

## ORDERING INFORMATION

SKU	VOLTAGE	UNIT NET WEIGHT, G	UNIT DIMENSIONS, MM	PCS/BOX
BSPSP-100-12V.1	12 V	530	357 x 33 x 21.8	20

## DIMENSIONS



## INPUT

INPUT VOLTAGE RANGE	100 - 240 VAC, (47 - 63 Hz)
MAX INPUT AC CURRENT	1.3 A Max
MAX INRUSH CURRENT	≤70 A
POWER FACTOR	≥0.95 (230 VAC)

## OUTPUT

VOLTAGE   CURRENT	12 V   8.33 A
MAX OUTPUT POWER	100 W

# SIGNBRIDGE SLIM

## BPSP.S-100-12V.1

# outdoor metal  
# slim



100 W LED driver

## FEATURES

- Metal housing design with functional ground
- Built-in active PFC function
- Slender design
- IP68 rating for indoor and outdoor installations
- 5 years warranty

## CONFORMITY & STANDARDS

EMC Emission:

- compliance to EN55015

EMC Immunity:

- EN55015
- EN61547
- EN61000-3-2
- EN61000-3-3
- CB
- CE-LVD:
  - IEC/EN61347-1
  - IEC/EN61347-2-13
  - UL8750
  - UL1310

# SIGNBRIDGE SLIM

BPSP.S-150-24V.3

- # outdoor metal
- # slim



150 W LED driver

## FEATURES

- Metal housing design with functional ground
- Built-in active PFC function
- Slender design
- IP67 rating for indoor and outdoor installations
- 5 years warranty

## CONFORMITY & STANDARDS

EMC Emission:

- compliance to EN55015

EMC Immunity:

- EN55015
- EN61547
- EN61000-3-2
- EN61000-3-3
- CB

CE-LVD:

- IEC/EN61347-1
- IEC/EN61347-2-13
- UL8750
- UL1310



## GENERAL SPECIFICATIONS

EFFICIENCY	92% (230 VAC)
TURN ON DELAY	<1000mS (230 VAC)
OPERATING CONDITIONS	-40°C ~ +70°C; 20 ~ 95% humidity
STORAGE CONDITIONS	-40 °C ~ +80 °C; 10 ~ 95% humidity
IP CLASS	IP 67
PROTECTIONS INCLUDED	Short circuit Overload
WARRANTY	5 years

## INPUT

INPUT VOLTAGE RANGE	200 - 240 VAC, (50 - 60 Hz)
MAX INPUT AC CURRENT	1.1 A Max
MAX INRUSH CURRENT	65 A
POWER FACTOR	≥0.95 (230 VAC)

## OUTPUT

VOLTAGE   CURRENT	12 V   6.25 A
MAX OUTPUT POWER	150 W

## QUANTITY OF DRIVERS PER CIRCUIT BREAKER

CIRCUIT BREAKER OF TYPE B 16 A	5 units (at 230 VAC)
CIRCUIT BREAKER OF TYPE C 16 A	8 units (at 230 VAC)

## ORDERING INFORMATION

SKU	VOLTAGE	UNIT NET WEIGHT, G	UNIT DIMENSIONS, MM	PCS/BOX
BPSP.S-150-24V.3	24 V	570	362 x 37 x 22	30

## DIMENSIONS





## GENERAL SPECIFICATIONS

EFFICIENCY	92% (230 VAC)
TURN ON DELAY	<1000mS (230 VAC)
OPERATING CONDITIONS	-40°C ~ +70°C; 20 ~ 95% humidity
STORAGE CONDITIONS	-40 °C ~ +80 °C; 10 ~ 95% humidity
IP CLASS	IP 67
PROTECTIONS INCLUDED	Short circuit Overload
WARRANTY	5 years

## INPUT

INPUT VOLTAGE RANGE	200 - 240 VAC, (50 - 60 Hz)
MAX INPUT AC CURRENT	1.4 A Max
MAX INRUSH CURRENT	65 A
POWER FACTOR	≥0.95 (230 VAC)

## OUTPUT

VOLTAGE   CURRENT	24 V   8.33 A
MAX OUTPUT POWER	150 W

## QUANTITY OF DRIVERS PER CIRCUIT BREAKER

CIRCUIT BREAKER OF TYPE B 16 A	4 units (at 230 VAC)
CIRCUIT BREAKER OF TYPE C 16 A	7 units (at 230 VAC)

## ORDERING INFORMATION

SKU	VOLTAGE	UNIT NET WEIGHT, G	UNIT DIMENSIONS, MM	PCS/BOX
BPSP.S-200-24V.3	24 V	580	362 x 37 x 22	30

## DIMENSIONS



# SIGNBRIDGE SLIM

## BPSP.S-200-24V.3

# outdoor metal  
# slim



200 W LED driver

## FEATURES

- Metal housing design with functional ground
- Built-in active PFC function
- Slender design
- IP67 rating for indoor and outdoor installations
- 5 years warranty

## CONFORMITY & STANDARDS

EMC Emission:

- compliance to EN55015

EMC Immunity:

- EN55015
- EN61547
- EN61000-3-2
- EN61000-3-3
- CB
- CE-LVD:
  - IEC/EN61347-1
  - IEC/EN61347-2-13
  - UL8750
  - UL1310

# SIGNBRIDGE

BPSP-60-C700.1

- # outdoor metal
- # constant current model



60 W 0.7A LED driver

## FEATURES

- Constant current design
- Metal housing design with functional ground
- Built-in active PFC function
- IP68 rating for indoor and outdoor installations
- 5 years warranty

## CONFORMITY & STANDARDS

EMC Emission:

- compliance to EN55015

EMC Immunity:

- EN55015
- EN61547
- EN61000-3-2
- EN61000-3-3
- CB
- ENEC

CE-LVD:

- IEC/EN61347-1
- IEC/EN61347-2-13



## GENERAL SPECIFICATIONS

EFFICIENCY	≥88% (230 VAC)
TURN ON DELAY	≤3000mS (230 VAC)
OPERATING CONDITIONS	-40°C ~ +50°C; 20 ~ 95% humidity
STORAGE CONDITIONS	-40 °C ~ +80 °C; 10 ~ 95% humidity
IP CLASS	IP 68
PROTECTIONS INCLUDED	Over current Short circuit Over voltage
WARRANTY	5 years, ≥50 000 h

## INPUT

INPUT VOLTAGE RANGE	100 - 240 VAC, (50 - 60 Hz)
MAX INPUT AC CURRENT	0.8 A Max
MAX INRUSH CURRENT	≤65 A (100-277 VAC)
POWER FACTOR	≥0.90 (230 VAC)

## OUTPUT

VOLTAGE   CURRENT	40-80 V   0.7 A
MAX OUTPUT POWER	60 W

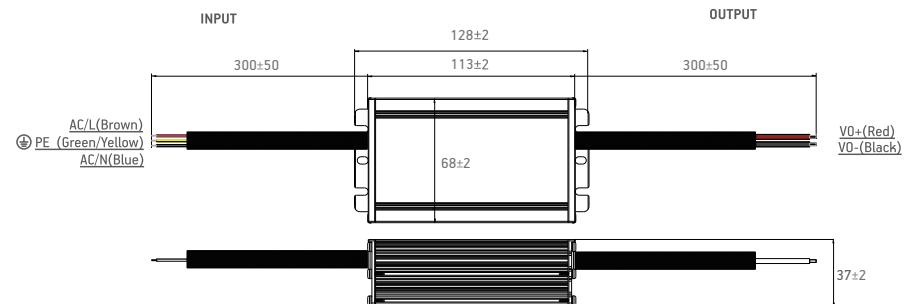
## QUANTITY OF DRIVERS PER CIRCUIT BREAKER

CIRCUIT BREAKER OF TYPE C 16 A	18 units (at 230 VAC)
--------------------------------	-----------------------

## ORDERING INFORMATION

SKU	UNIT NET WEIGHT, G	UNIT DIMENSIONS, MM	PCS/BOX
BPSP-60-C700.1	580	113 x 68 x 37	20

## DIMENSIONS





## GENERAL SPECIFICATIONS

EFFICIENCY	≥88% (230 VAC)
TURN ON DELAY	≤3000mS (230 VAC)
OPERATING CONDITIONS	-40°C ~ +50°C; 20 ~ 95% humidity
STORAGE CONDITIONS	-40 °C ~ +80 °C; 10 ~ 95% humidity
IP CLASS	IP 68
PROTECTIONS INCLUDED	Over current Short circuit Over voltage
WARRANTY	5 years, ≥50 000 h

## INPUT

INPUT VOLTAGE RANGE	100 - 240 VAC, (50 - 60 Hz)
MAX INPUT AC CURRENT	1.3 A Max
MAX INRUSH CURRENT	≤65 A (100-277 VAC)
POWER FACTOR	≥0.95 (230 VAC)

## OUTPUT

VOLTAGE   CURRENT	85-142 V   0.7 A
MAX OUTPUT POWER	100 W

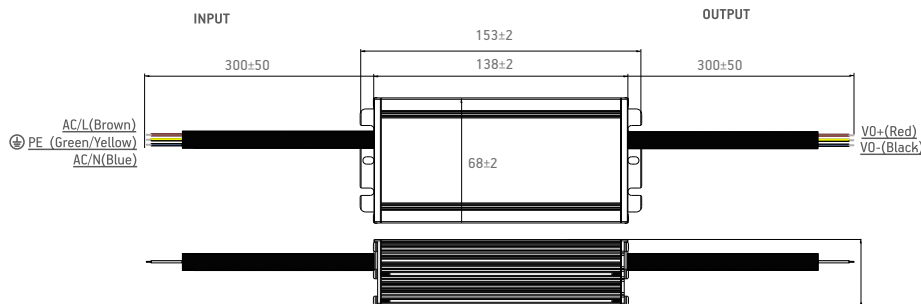
## QUANTITY OF DRIVERS PER CIRCUIT BREAKER

CIRCUIT BREAKER OF TYPE C 16 A	12 units (at 230 VAC)
--------------------------------	-----------------------

## ORDERING INFORMATION

SKU	UNIT NET WEIGHT, G	UNIT DIMENSIONS, MM	PCS/BOX
BPSP-60-C700.1	720	138 x 68 x 37	10

## DIMENSIONS



# SIGNBRIDGE

## BPSP-100-C700.1

- # outdoor metal
- # constant current model



100 W 0.7A LED driver

## FEATURES

- Constant current design
- Metal housing design with functional ground
- Built-in active PFC function
- IP68 rating for indoor and outdoor installations
- 5 years warranty

## CONFORMITY & STANDARDS

EMC Emission:

- compliance to EN55015

EMC Immunity:

- EN55015
- EN61547
- EN61000-3-2
- EN61000-3-3
- CB
- ENEC

CE-LVD:

- IEC/EN61347-1
- IEC/EN61347-2-13

**SIGNBRIDGE**  
OUTDOOR PLASTIC POWER SUPPLIES







## GENERAL SPECIFICATIONS

EFFICIENCY	12 V   79% (230 VAC) 24 V   82% (230 VAC)
TURN ON DELAY	1500mS (230 VAC)
OPERATING CONDITIONS	-25°C ~ +50°C; 20 ~ 95% humidity
STORAGE CONDITIONS	-40 °C ~ +80 °C; 10 ~ 95% humidity
IP CLASS	IP 67
PROTECTIONS INCLUDED	Short circuit Overload
WARRANTY	3 years

## INPUT

INPUT VOLTAGE RANGE	100 - 250 VAC, (50 - 60 Hz)
MAX INPUT AC CURRENT	0.24 A Max
MAX INRUSH CURRENT	20 A
POWER FACTOR	≥0.6 (230 VAC)

## OUTPUT

OUTPUT CURRENT	12 V   0.75 A 24 V   0.375 A
MAX OUTPUT POWER	9 W

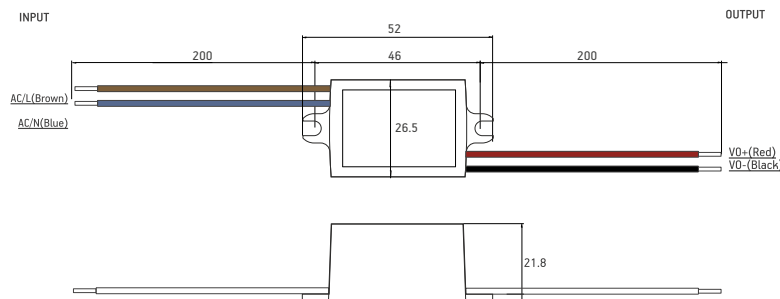
## QUANTITY OF DRIVERS PER CIRCUIT BREAKER

CIRCUIT BREAKER OF TYPE B 16 A	36 units (at 230 VAC)
CIRCUIT BREAKER OF TYPE C 16 A	70 units (at 230 VAC)

## ORDERING INFORMATION

SKU	VOLTAGE	UNIT NET WEIGHT, G	UNIT DIMENSIONS, MM	PCS/BOX
BPS-9-12V.2	12 V	40	52 x 267 x 21	200
BPS-9-24V.2	24 V	40	52 x 267 x 21	200

## DIMENSIONS



# SIGNBRIDGE

## BPS-9-12/24V.2

# outdoor plastic



9 W LED driver

## FEATURES

- Plastic housing design
- IP67 rating for indoor and outdoor installations
- 3 years warranty

## CONFORMITY & STANDARDS

EMC Emission:

- compliance to EN55015

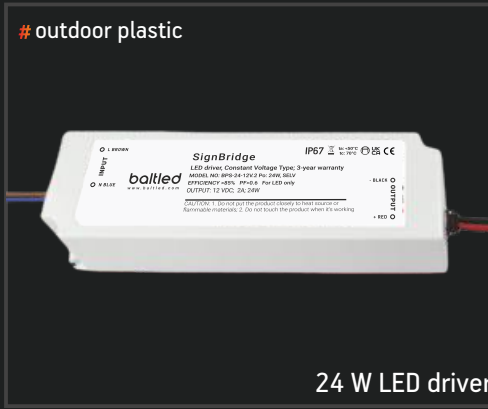
EMC Immunity:

- EN55015
- EN61547
- EN61000-3-2
- EN61000-3-3
- CB
- CE-LVD:
  - IEC/EN61347-1
  - IEC/EN61347-2-13
  - UL8750
  - UL1310

# SIGNBRIDGE

BPS-24-12/24V.2

# outdoor plastic



24 W LED driver

## FEATURES

- Plastic housing design
- IP67 rating for indoor and outdoor installations
- 3 years warranty

## CONFORMITY & STANDARDS

EMC Emission:

- compliance to EN55015

EMC Immunity:

- EN55015
- EN61547
- EN61000-3-2
- EN61000-3-3
- CB
- CE-LVD:
  - IEC/EN61347-1
  - IEC/EN61347-2-13
  - UL8750
  - UL1310



## GENERAL SPECIFICATIONS

EFFICIENCY	85% (230 VAC)
TURN ON DELAY	1500mS (230 VAC)
OPERATING CONDITIONS	-20°C ~ +50°C; 20 ~ 95% humidity
STORAGE CONDITIONS	-40 °C ~ +80 °C; 10 ~ 95% humidity
IP CLASS	IP 67
PROTECTIONS INCLUDED	Short circuit Overload
WARRANTY	3 years

## INPUT

INPUT VOLTAGE RANGE	100 - 250 VAC, (50 - 60 Hz)
MAX INPUT AC CURRENT	0.52 A Max
MAX INRUSH CURRENT	40 A
POWER FACTOR	≥0.6 (230 VAC)

## OUTPUT

OUTPUT CURRENT	12 V   2 A 24 V   1 A
MAX OUTPUT POWER	24 W

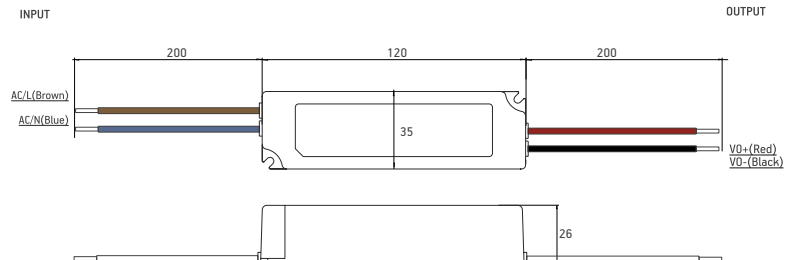
## QUANTITY OF DRIVERS PER CIRCUIT BREAKER

CIRCUIT BREAKER OF TYPE B 16 A	9 units (at 230 VAC)
CIRCUIT BREAKER OF TYPE C 16 A	17 units (at 230 VAC)

## ORDERING INFORMATION

SKU	VOLTAGE	UNIT NET WEIGHT, G	UNIT DIMENSIONS, MM	PCS/BOX
BPS-24-12V.2	12 V	165	120 x 35 x 26	80
BPS-24-24V.2	24 V	165	120 x 35 x 26	80

## DIMENSIONS





## GENERAL SPECIFICATIONS

EFFICIENCY	12 V   85% (230 VAC) 24 V   88% (230 VAC)
TURN ON DELAY	1500mS (230 VAC)
OPERATING CONDITIONS	-25°C ~ +50°C; 20 ~ 95% humidity
STORAGE CONDITIONS	-40 °C ~ +80 °C; 10 ~ 95% humidity
IP CLASS	IP 67
PROTECTIONS INCLUDED	Short circuit Overload
WARRANTY	3 years

## INPUT

INPUT VOLTAGE RANGE	100 - 250 VAC, (50 - 60 Hz)
MAX INPUT AC CURRENT	0.6 A Max
MAX INRUSH CURRENT	40 A
POWER FACTOR	≥0.6 (230 VAC)

## OUTPUT

OUTPUT CURRENT	12 V   3 A 24 V   1.5 A
MAX OUTPUT POWER	36 W

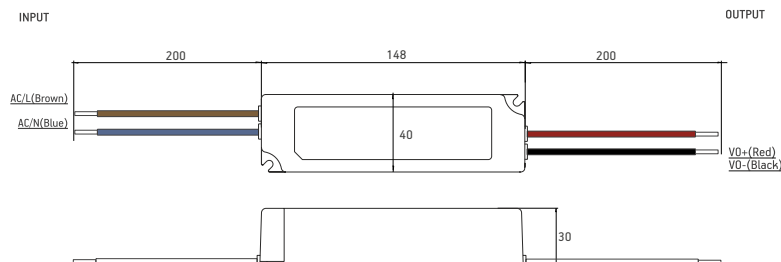
## QUANTITY OF DRIVERS PER CIRCUIT BREAKER

CIRCUIT BREAKER OF TYPE B 16 A	9 units (at 230 VAC)
CIRCUIT BREAKER OF TYPE C 16 A	17 units (at 230 VAC)

## ORDERING INFORMATION

SKU	VOLTAGE	UNIT NET WEIGHT, G	UNIT DIMENSIONS, MM	PCS/BOX
BPS-34-12V.2	12 V	280	148 x 40 x 30	50
BPS-34-24V.2	24 V	280	148 x 40 x 30	50

## DIMENSIONS



# SIGNBRIDGE

## BPS-36-12/24V.2

# outdoor plastic



36 W LED driver

## FEATURES

- Plastic housing design
- IP67 rating for indoor and outdoor installations
- 3 years warranty

## CONFORMITY & STANDARDS

EMC Emission:

- compliance to EN55015

EMC Immunity:

- EN55015
- EN61547
- EN61000-3-2
- EN61000-3-3
- CB
- CE-LVD:
  - IEC/EN61347-1
  - IEC/EN61347-2-13
  - UL8750
  - UL1310

# SIGNBRIDGE

BPS-60-12/24V.2

# outdoor plastic



60 W LED driver

## FEATURES

- Plastic housing design
- IP67 rating for indoor and outdoor installations
- 3 years warranty

## CONFORMITY & STANDARDS

EMC Emission:

- compliance to EN55015

EMC Immunity:

- EN55015
- EN61547
- EN61000-3-2
- EN61000-3-3
- CB
- CE-LVD:
  - IEC/EN61347-1
  - IEC/EN61347-2-13
  - UL8750
  - UL1310



## GENERAL SPECIFICATIONS

EFFICIENCY	12 V   82% (230 VAC) 24 V   87% (230 VAC)
TURN ON DELAY	1500mS (230 VAC)
OPERATING CONDITIONS	-25°C ~ +50°C; 20 ~ 95% humidity
STORAGE CONDITIONS	-40 °C ~ +80 °C; 10 ~ 95% humidity
IP CLASS	IP 67
PROTECTIONS INCLUDED	Short circuit Overload
WARRANTY	3 years

## INPUT

INPUT VOLTAGE RANGE	100 - 250 VAC, (50 - 60 Hz)
MAX INPUT AC CURRENT	1.2 A Max
MAX INRUSH CURRENT	40 A
POWER FACTOR	≥0.6 (230 VAC)

## OUTPUT

OUTPUT CURRENT	12 V   5 A 24 V   2.5 A
MAX OUTPUT POWER	60 W

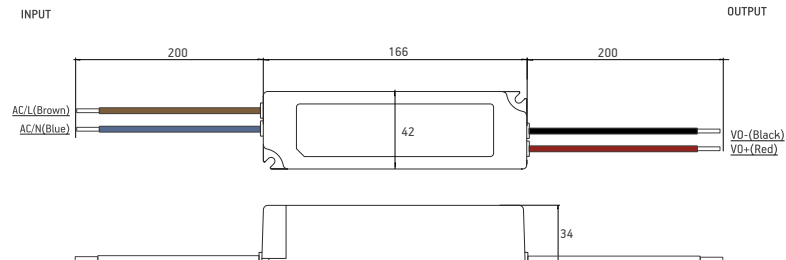
## QUANTITY OF DRIVERS PER CIRCUIT BREAKER

CIRCUIT BREAKER OF TYPE B 16 A	9 units (at 230 VAC)
CIRCUIT BREAKER OF TYPE C 16 A	16 units (at 230 VAC)

## ORDERING INFORMATION

SKU	VOLTAGE	UNIT NET WEIGHT, G	UNIT DIMENSIONS, MM	PCS/BOX
BPS-60-12V.2	12 V	360	166 x 42 x 34	40
BPS-60-24V.2	24 V	360	166 x 42 x 34	40

## DIMENSIONS





## GENERAL SPECIFICATIONS

EFFICIENCY	12 V   85% (230 VAC) 24 V   88% (230 VAC)
TURN ON DELAY	1500mS (230 VAC)
OPERATING CONDITIONS	-25°C ~ +50°C; 20 ~ 95% humidity
STORAGE CONDITIONS	-40 °C ~ +80 °C; 10 ~ 95% humidity
IP CLASS	IP 67
PROTECTIONS INCLUDED	Short circuit Overload
WARRANTY	3 years

## INPUT

INPUT VOLTAGE RANGE	100 - 250 VAC, (50 - 60 Hz)
MAX INPUT AC CURRENT	0.6 A Max
MAX INRUSH CURRENT	40 A
POWER FACTOR	≥0.6 (230 VAC)

## OUTPUT

OUTPUT CURRENT	12 V   8.33 A 24 V   4.17 A
MAX OUTPUT POWER	100 W

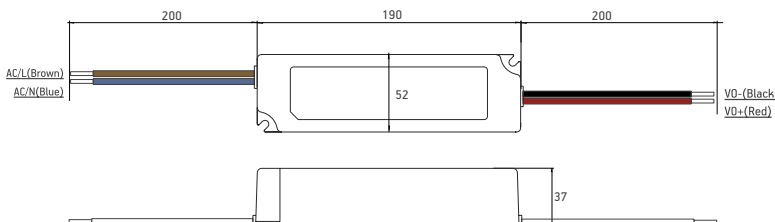
## QUANTITY OF DRIVERS PER CIRCUIT BREAKER

CIRCUIT BREAKER OF TYPE B 16 A	9 units (at 230 VAC)
CIRCUIT BREAKER OF TYPE C 16 A	10 units (at 230 VAC)

## ORDERING INFORMATION

SKU	VOLTAGE	UNIT NET WEIGHT, G	UNIT DIMENSIONS, MM	PCS/BOX
BPS-100-12V.2	12 V	640	190 x 52 x 37	20
BPS-100-24V.2	24 V	640	190 x 52 x 37	20

## DIMENSIONS



# SIGNBRIDGE

## BPS-100-12/24V.2

# outdoor plastic



100 W LED driver

## FEATURES

- Plastic housing design
- IP67 rating for indoor and outdoor installations
- 3 years warranty

## CONFORMITY & STANDARDS

EMC Emission:

- compliance to EN55015

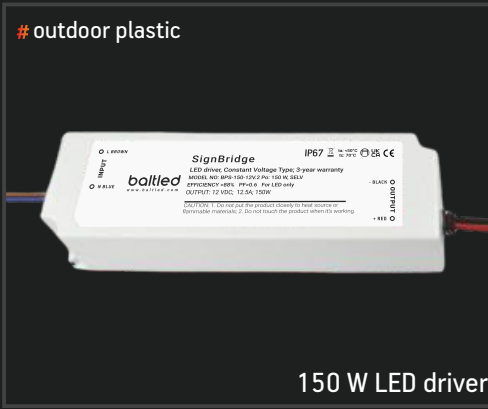
EMC Immunity:

- EN55015
- EN61547
- EN61000-3-2
- EN61000-3-3
- CB
- CE-LVD:
  - IEC/EN61347-1
  - IEC/EN61347-2-13
  - UL8750
  - UL1310

# SIGNBRIDGE

BPS-150-12/24V.2

# outdoor plastic



150 W LED driver

## FEATURES

- Plastic housing design
- IP67 rating for indoor and outdoor installations
- 3 years warranty

## CONFORMITY & STANDARDS

EMC Emission:

- compliance to EN55015

EMC Immunity:

- EN55015
- EN61547
- EN61000-3-2
- EN61000-3-3
- CB
- CE-LVD:
  - IEC/EN61347-1
  - IEC/EN61347-2-13
  - UL8750
  - UL1310



## GENERAL SPECIFICATIONS

EFFICIENCY	88% (230 VAC)
TURN ON DELAY	1500mS (230 VAC)
OPERATING CONDITIONS	-30°C ~ +50°C; 20 ~ 95% humidity
STORAGE CONDITIONS	-40 °C ~ +80 °C; 10 ~ 95% humidity
IP CLASS	IP 67
PROTECTIONS INCLUDED	Short circuit Overload
WARRANTY	3 years

## INPUT

INPUT VOLTAGE RANGE	190 - 250 VAC, (50 - 60 Hz)
MAX INPUT AC CURRENT	1.45 A Max
MAX INRUSH CURRENT	70 A
POWER FACTOR	≥0.6 (230 VAC)

## OUTPUT

OUTPUT CURRENT	12 V   12.5 A 24 V   6.25 A
MAX OUTPUT POWER	150 W

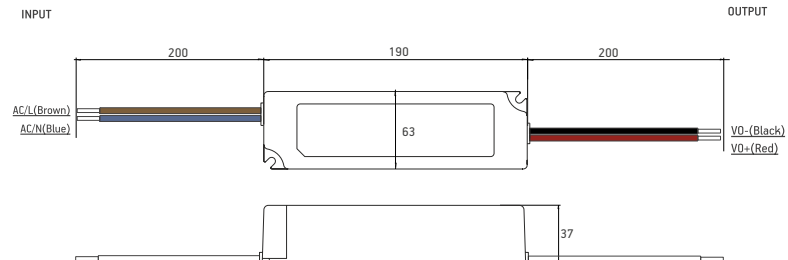
## QUANTITY OF DRIVERS PER CIRCUIT BREAKER

CIRCUIT BREAKER OF TYPE B 16 A	3 units (at 230 VAC)
CIRCUIT BREAKER OF TYPE C 16 A	5 units (at 230 VAC)

## ORDERING INFORMATION

SKU	VOLTAGE	UNIT NET WEIGHT, G	UNIT DIMENSIONS, MM	PCS/BOX
BPS-150-12V.2	12 V	720	190 x 63 x 37	20
BPS-150-24V.2	24 V	720	190 x 63 x 37	20

## DIMENSIONS





E-mail: [signage@baltled.com](mailto:signage@baltled.com)

Phone: +370 532 390 00

Website: [www.baltled.com](http://www.baltled.com)

Address:  
Nalsios str. 11  
LT-14332 , Vilnius  
Lithuania