

SMARTBRIDGE

100 W WI-FI & Bluetooth dimmable LED driver.

Model: **BPSS-100-12V.1-W5C-T**



FEATURES

- Constant voltage mode output
- Metal housing design with functional ground
- Built-in active PFC function
- Class 2 power supply
- IP66 rating for indoor or outdoor installations
- Wi-Fi wireless dimming
- Bluetooth wireless dimming
- 8K Hz PWM output

CONFORMITY & STANDARDS

EMC Emission:

- compliance to EN55015, PART15B

EMC Immunity:

- EN55015
- CE-LVD:
 - EN61547
 - EN61000-3-2
 - EN61000-3-3
 - CB
- IEC/EN61347-1
- IEC/EN61347-2-13
- UL8750
- UL1310



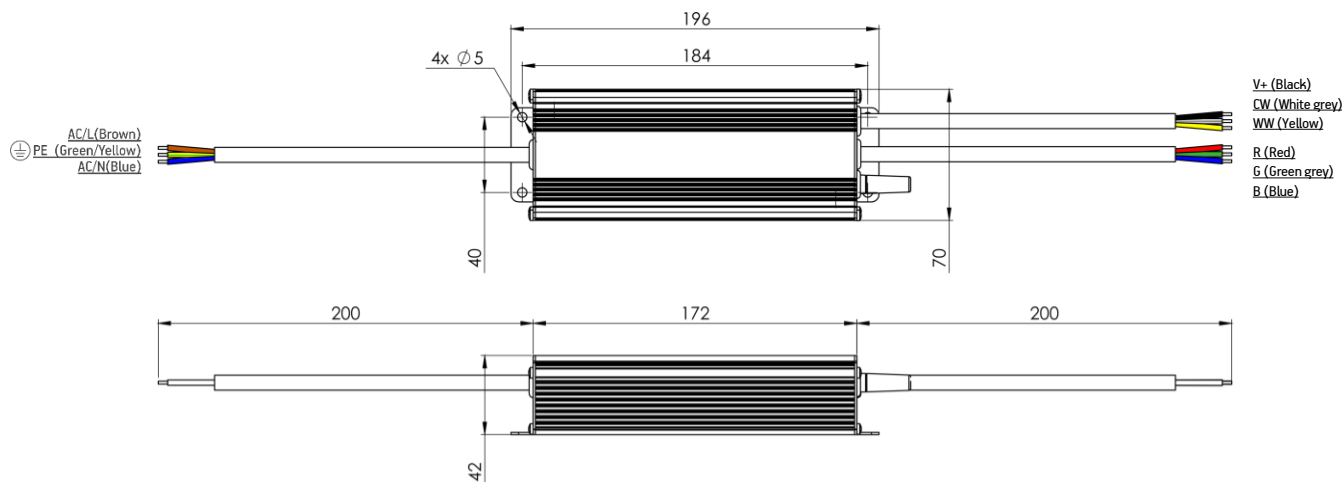
GENERAL SPECIFICATIONS

EFFICIENCY	≥89.5% (230 VAC)
TOTAL HARMONIC DISTORTION (THD)	< 15%
OPERATING CONDITIONS	-40°C ~ +60°C; 20 ~ 95% humidity
STORAGE CONDITIONS	-40°C ~ +80°C; 10 ~ 95% humidity
IP CLASS	IP66 SELV
PROTECTIONS INCLUDED	Over load Short circuit Over temperature
WARRANTY	5 years, >50 000 h

QUANTITY OF DRIVERS PER CIRCUIT BREAKER

CIRCUIT BREAKER OF TYPE B 16 A	CIRCUIT BREAKER OF TYPE C 16 A
5 units (230 VAC)	11 units (230 VAC)

DIMENSIONS (MM)



baltled
signage illumination

INPUT

INPUT VOLTAGE RANGE	100 ~ 277Vac; 47 – 63 Hz
MAX INPUT AC CURRENT	1.3 A Max
MAX INRUSH CURRENT	≤53 A
POWER FACTOR	>0.95 (230 VAC)

OUTPUT

OUTPUT CURRENT	8.3 A (CW+WW) 8.3 A (R+G+B)
OUTPUT VOLTAGE	12 V
OUTPUT POWER	100 W

ORDERING INFORMATION

SKU	UNIT NET WEIGHT, G	UNIT DIMENSIONS (LxWxH), MM	STATUS
BPSS-100-12V.1-W5C-T	896.0	196 x 70 x 42 mm	PRE-ORDER*

*Expected to be in stock starting January 2025.