

SMARTBRIDGE

200 W WI-FI & Bluetooth dimmable LED driver.

Model: **BPSS-200-12V.1-W5C-T**



FEATURES

- Constant voltage mode output
- Metal housing design with functional ground
- Built-in active PFC function
- Class 2 power supply
- IP66 rating for indoor or outdoor installations
- Wi-Fi wireless dimming
- Bluetooth wireless dimming
- 8K Hz PWM output

CONFORMITY & STANDARDS

EMC Emission:

- compliance to EN55015, PART15B

EMC Immunity:

- EN55015
- EN61547
- EN61000-3-2
- EN61000-3-3
- CB
- CE-LVD: IEC/EN61347-1
- IEC/EN61347-2-13
- UL8750
- UL1310



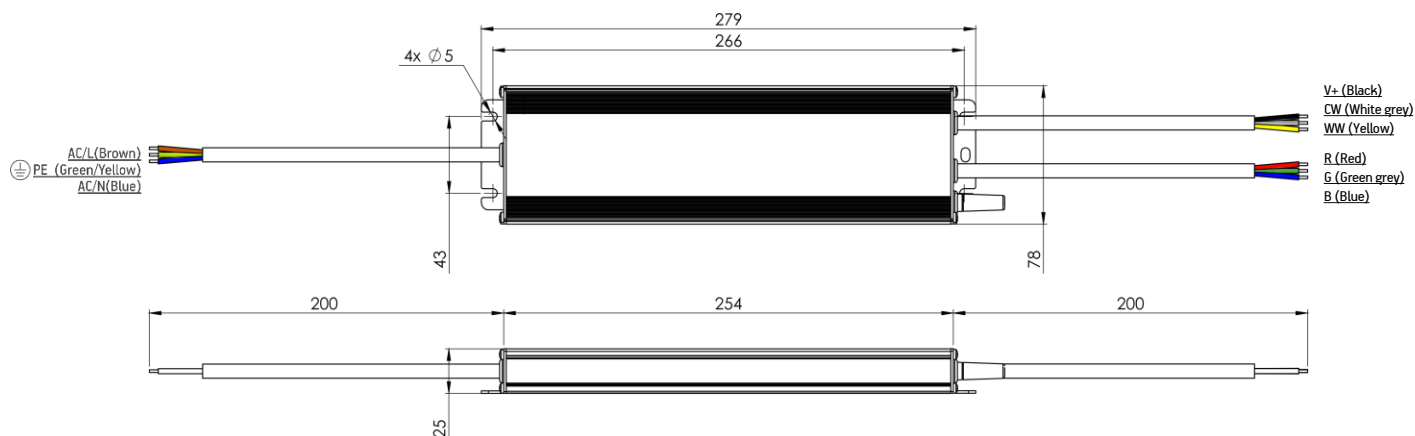
GENERAL SPECIFICATIONS

EFFICIENCY	≥90.5% (230 VAC)
TOTAL HARMONIC DISTORTION (THD)	< 15%
OPERATING CONDITIONS	-40°C ~ +60°C; 20 ~ 95% humidity
STORAGE CONDITIONS	-40°C ~ +80°C; 10 ~ 95% humidity
IP CLASS	IP66 SELV
PROTECTIONS INCLUDED	Over load Short circuit Over temperature
WARRANTY	5 years, >50 000 h

QUANTITY OF DRIVERS PER CIRCUIT BREAKER

CIRCUIT BREAKER OF TYPE B 16 A	CIRCUIT BREAKER OF TYPE C 16 A
3 units (230 VAC)	7 units (230 VAC)

DIMENSIONS (MM)



baltled
signage illumination

INPUT

INPUT VOLTAGE RANGE	110 ~ 277Vac; 47 ~ 63 Hz
MAX INPUT AC CURRENT	2.3 A Max
MAX INRUSH CURRENT	≤88 A
POWER FACTOR	>0.95 (230 VAC)

OUTPUT

OUTPUT CURRENT	16.67 A (CW+WW) 16.67 A (R+G+B)
OUTPUT VOLTAGE	12 V
OUTPUT POWER	200 W

ORDERING INFORMATION

SKU	UNIT NET WEIGHT, G	UNIT DIMENSIONS (LxWxH), MM	STATUS
BPSS-200-12V.1-W5C-T	1000.0	279 x 78 x 25 mm	PRE-ORDER*

*Expected to be in stock starting January 2025.