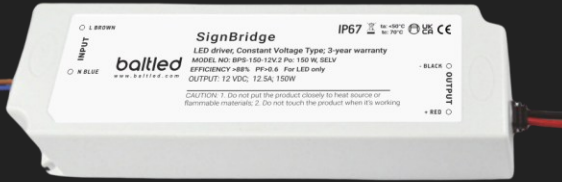


SIGNBRIDGE

BPS-150-12/24V.2



FEATURES

- Plastic housing design
- IP67 rating for indoor or outdoor installations
- 3 years warranty

CONFORMITY & STANDARDS

Security Standard:

- IEC 61347-2-13 2014+A1

Electrical Safety:

- Withstand Voltage: I/P-O/P: 3000VAC/1min/<5mA
- Isolation Resistance:
I/P-O/P: >100M Ohms / 500VDC / 25°C / 70%RH



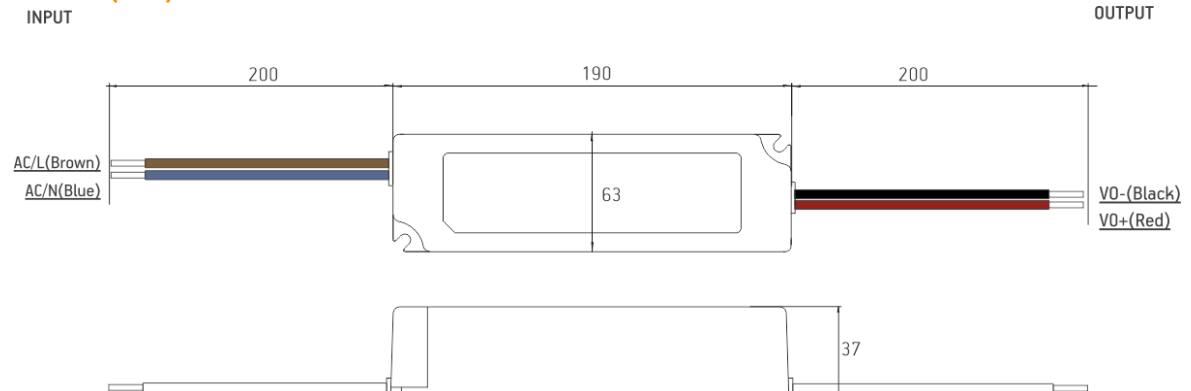
GENERAL SPECIFICATIONS

EFFICIENCY	88% (230 VAC)
COLD START	1500 ms (230 VAC)
OPERATING CONDITIONS	-30°C ~ +50°C; 20 ~ 95% humidity
STORAGE CONDITIONS	-40°C ~ +80°C; 10 ~ 95% humidity
IP CLASS	IP67
PROTECTIONS INCLUDED	Overload Short circuit
WARRANTY	3 years

QUANTITY OF DRIVERS PER CIRCUIT BREAKER

CIRCUIT BREAKER OF TYPE B 16	CIRCUIT BREAKER OF TYPE C 16 A
3 units (230 VAC)	5 units (230 VAC)

DIMENSIONS (MM)



INPUT

INPUT VOLTAGE RANGE	190 – 250 VAC; 50 – 60 Hz
MAX INPUT AC CURRENT	1.45 A Max
MAX INRUSH CURRENT	70 A
POWER FACTOR	≥0.6 (230 VAC)

OUTPUT

CURRENT VOLTAGE	12 V 12.5 A 24 V 6.25 A
OUTPUT POWER	150 W

ORDERING INFORMATION

SKU	VOLTAGE	UNIT NET WEIGHT, G	UNIT DIMENSIONS (LxWxH), MM	PCS / BOX
BPS-150-12V.2	12 VDC	720.0	190 x 63 x 37	20
BPS-150-24V.2	24 VDC	720.0	190 x 63 x 37	20