

2026 PRODUCT CATALOG *illuminate your business*

BACK THEN...

**MORE THAN
20 YEARS AGO
IT ALL BEGAN FROM
THIS...**

THE BEGINNING

In 2005 one of the co-founders of BaltLED visits his friend a professor at Vilnius University. The professor at the moment happens to be working on the LED-based illumination for greenhouses to enhance the vegetation of plants. The conversation turns towards new developments in LED technology. Here and now the idea to adopt LED technology for signage illumination appears. In less than a year, BaltLED is found and produces the country's first LED module for illuminated signs.

AND NOW...

WHO WE ARE TODAY

BaltLED – an international company, creating, designing and supplying LED illumination solutions for signage all over the Europe and other continents.

With more than 20 years of experience we have already provided signage solutions for uniform illumination for a total area equal to more than 1,000,000 m² of different signage applications.

Having in house R&D, production facility and experienced team project designers and light experts, we are ready to provide the whole project solution.

APPLICATIONS OUR SOLUTIONS COVER



SIGNAGE ILLUMINATION

- Letter signs
- Light box signs
- Stretch ceilings



STREET FURNITURE LIGHTING (SFL)

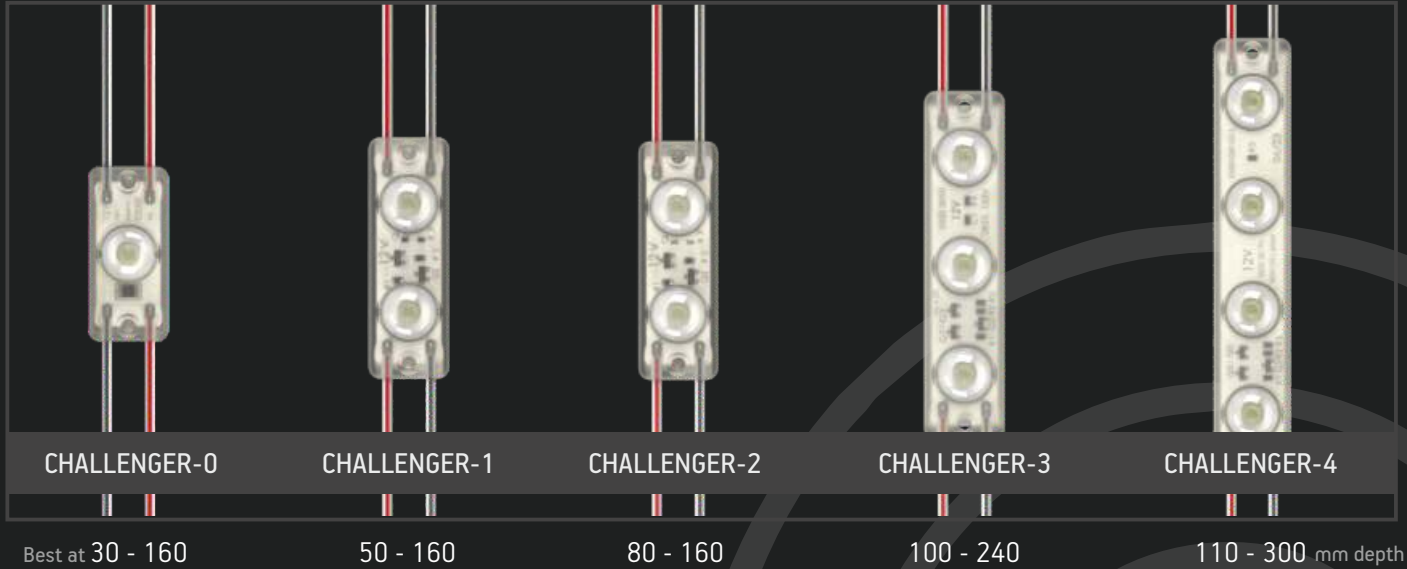
- Bus shelter displays
- Poster billboards
- Street sign displays

In years, we have received many different awards and certificates. Here you can see few we are the most proud of: golden medals of Product of the Year awards.



CHALLENGER SERIES

FOR CHANNEL LETTERS + SINGLE-SIDED LIGHTBOXES



CENTRE-TO-CENTRE DISTANCE, mm

DEPTH, mm	30	40	50	60	70	80	90	100	110	120	130	140	160	180	200	220	240	260	280	300	
C-0	40	60	90	110	120	130	130	130	130	130	130	130	130								
C-1			90	120	140	160	180	190	200	200	200	200	200								
C-2						160	180	190	200	210	220	240	240								
C-3								200	220	240	260	280	320	340	340	340	340				
C-4									250	280	300	320	340	340	340	340	340	340	340	340	340

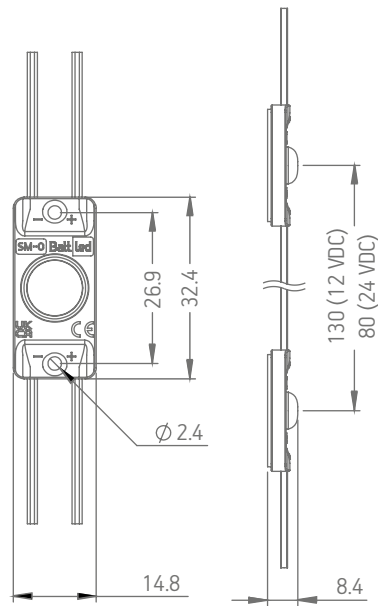
! Distances provided are based on testing in a lightbox with PLEXIGLAS® XT White WN770 GT, Translucency 30.0%. These are only recommendations and may vary based on application, cover material and other factors. For precise project calculation please contact us at projects@baltled.com



GENERAL SPECIFICATIONS

SUPPLY VOLTAGE	12 VDC 24 VDC
POWER	0.35 W 0.5W 0.2 W
RECOMMENDED DEPTH	From 30 to 160 mm
CC DISTANCE	130 mm 80 mm
BINNING	3 SDCM
OPERATING TEMPERATURE	-20°C ~ +50°C
STORAGE TEMPERATURE	-30°C ~ +60°C
STORAGE CONDITIONS	Relative humidity <60%
LIFETIME	L80 70,000 h
CERTIFICATION	CE, UKCA and RoHS compliant
WARRANTY	5 years (24/7)*

*Warranty is applied only and if storage, mounting and maintenance conditions, stated in the installation guide, are followed.



Dimensions are in mm

ORDERING INFORMATION

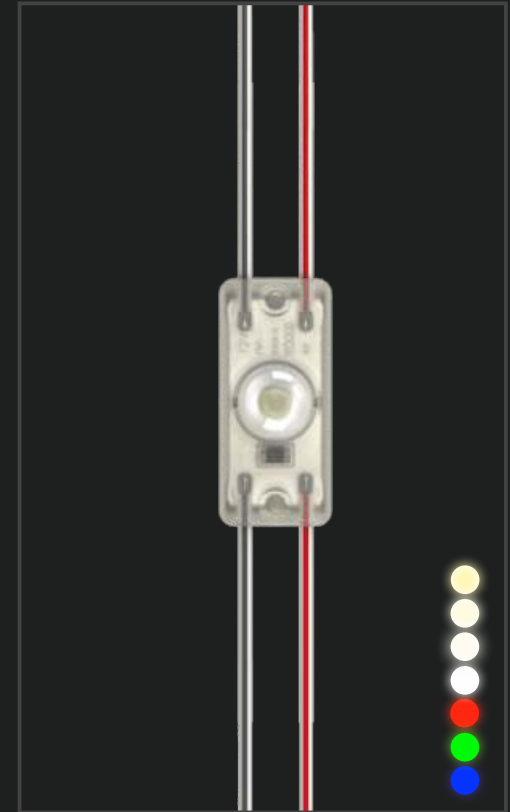
SKU	SUPPLY VOLTAGE	CC DISTANCE, MM	POWER, W	LUMEN OUTPUT, LM	COLOUR / CCT	
BMP-M0-01UH160WW035	12 VDC	130	0.35	44	3000 K	
BMP-M0-01UH160NW035		130	0.35	46	4000 K	
BMP-M0-01UH160PW050		130	0.50	58	5000 K	
BMP-M0-01UH160CW035		130	0.35	47	6500 K	
BMP-M0-01UH160CW050		130	0.5	60	6500 K	
BMP-M0-01UH160R035		130	0.35	15	red	
BMP-M0-01UH160G035		130	0.35	34	green	
BMP-M0-01UH160B035		130	0.35	8	blue	
BMP-M0-01UH160NW020-24V		24 VDC	80	0.20	28	6500 K

NOTE: Modules are sold in full bags only, with a minimum order of one bag.

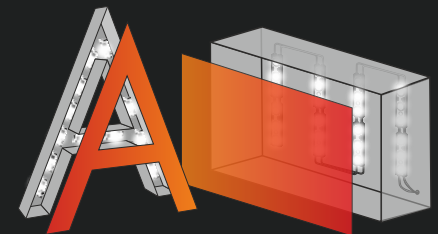
PACKAGING INFORMATION

	CHAIN	BAG	BOX
12 VDC	30 pcs	210 pcs	1470 pcs
24 VDC	80 pcs	160 pcs	1600 pcs

CHALLENGER 0



APPLICATION



best at 30 - 160 mm depth

5 YEARS WARRANTY

80 - 160

160°

6500 K

119 lm

1.0 W

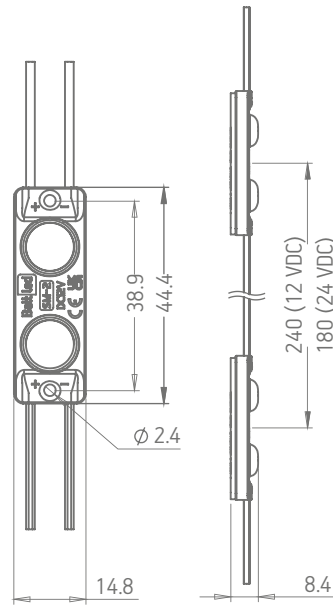
IP 67

L80 70 000 h

GENERAL SPECIFICATIONS

SUPPLY VOLTAGE	12 VDC 24 VDC
POWER	1.0 W 0.8 W
RECOMMENDED DEPTH	From 80 to 160 mm
CC DISTANCE	240 mm 180 mm
BINNING	3 SDCM
OPERATING TEMPERATURE	-20 °C ~ +50 °C
STORAGE TEMPERATURE	-30 °C ~ +60 °C
STORAGE CONDITIONS	Relative humidity <60%
LIFETIME	L80 70,000 h
CERTIFICATION	CE, UKCA and RoHS compliant
WARRANTY	5 years (24/7)*

*Warranty is applied only and if storage, mounting and maintenance conditions, stated in the installation guide, are followed.



Dimensions are in mm

ORDERING INFORMATION

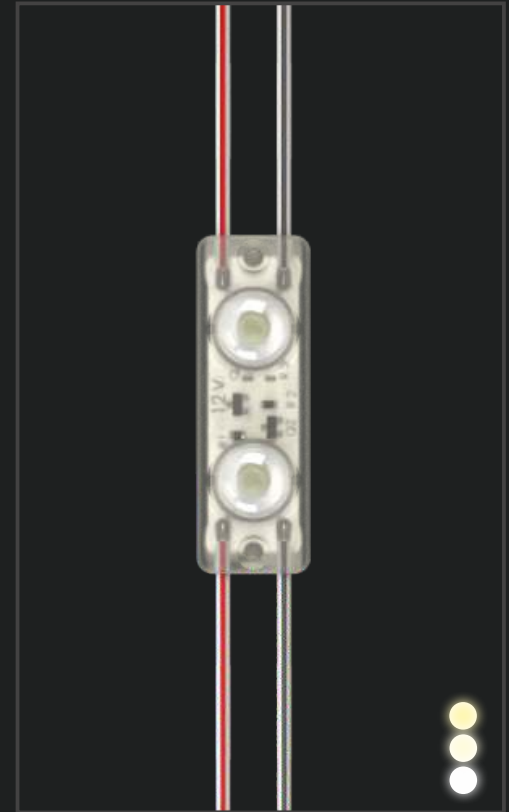
SKU	SUPPLY VOLTAGE	CC DISTANCE, MM	POWER, W	LUMEN OUTPUT, LM	COLOUR / CCT
BMP-M2-02UH160WW100	12 VDC	240	1.0	112	3000 K
BMP-M2-02UH160NW100		240	1.0	117	4000 K
BMP-M2-02UH160CW100		240	1.0	119	6500 K
BMP-M2-02UH160CW080-24V	24 VDC	180	0.8	97	6500 K

NOTE: Modules are sold in full bags only, with a minimum order of one bag.

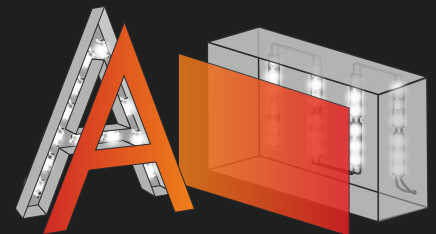
PACKAGING INFORMATION

	CHAIN	BAG	BOX
12 VDC	35 pcs	140 pcs	980 pcs
24 VDC	90 pcs	90 pcs	810 pcs

CHALLENGER 2

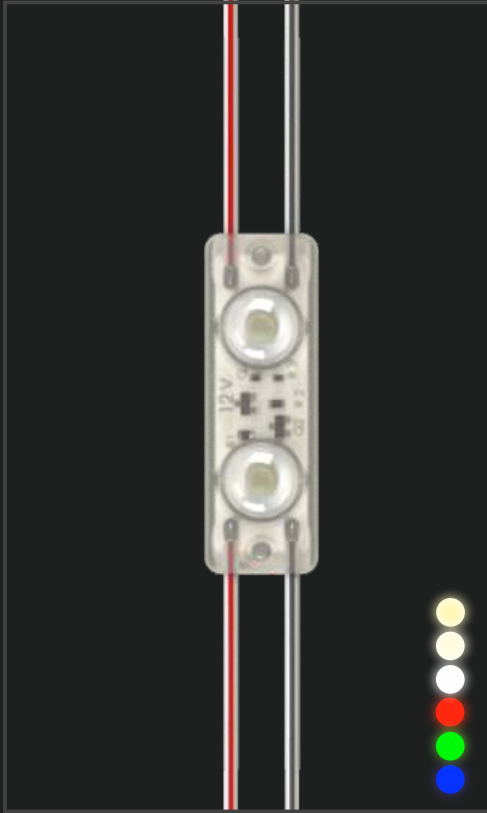


APPLICATION



best at 80 - 160 mm depth

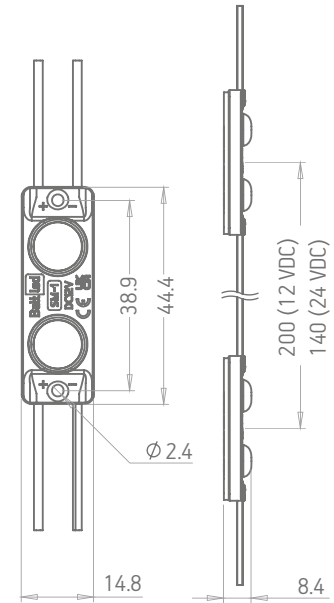
CHALLENGER 1



GENERAL SPECIFICATIONS

SUPPLY VOLTAGE	12 VDC 24 VDC
POWER	0.75 W 0.5 W
RECOMMENDED DEPTH	From 50 to 160 mm
CC DISTANCE	200 mm 140 mm
BINNING	3 SDCM
OPERATING TEMPERATURE	-20 °C ~ +50 °C
STORAGE TEMPERATURE	-30 °C ~ +70 °C
STORAGE CONDITIONS	Relative humidity <60%
LIFETIME	L80 70,000 h
CERTIFICATION	CE, UKCA and RoHS compliant
WARRANTY	5 years (24/7)*

*Warranty is applied only and if storage, mounting and maintenance conditions, stated in the installation guide, are followed.



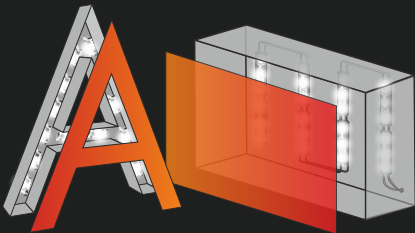
Dimensions are in mm

ORDERING INFORMATION

SKU	SUPPLY VOLTAGE	CC DISTANCE, MM	POWER, W	LUMEN OUTPUT, LM	COLOUR / CCT
BMP-M1-02UH160WW075	12 VDC	200	0.75	86	3000 K
BMP-M1-02UH160NW075		200	0.75	90	4000 K
BMP-M1-02UH160CW075		200	0.75	92	6500 K
BMP-M1-02UH160R075		200	0.75	27	red
BMP-M1-02UH160G075		200	0.75	74	green
BMP-M1-02UH160B075		200	0.75	15	blue
BMP-M1-02UH160CW050-24V		24 VDC	140	0.50	62

NOTE: Modules are sold in full bags only, with a minimum order of one bag.

APPLICATION



best at 50 - 160 mm depth

PACKAGING INFORMATION

	CHAIN	BAG	BOX
12 VDC	38 pcs	152 pcs	1064 pcs
24 VDC	110 pcs	110 pcs	1100 pcs

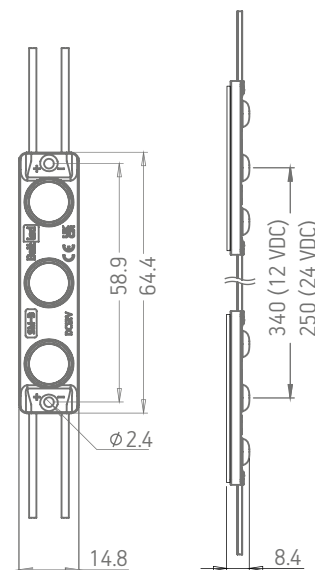
CHALLENGER 3



GENERAL SPECIFICATIONS

SUPPLY VOLTAGE	12 VDC 24 VDC
POWER	1.2 W 1.5 W 1.1 W
RECOMMENDED DEPTH	From 100 to 140 mm
CC DISTANCE	340 mm 250 mm
BINNING	3 SDCM
OPERATING TEMPERATURE	-20 °C ~ +50 °C
STORAGE TEMPERATURE	-30 °C ~ +60 °C
STORAGE CONDITIONS	Relative humidity <60%
LIFETIME	L80 70,000 h
CERTIFICATION	CE, UKCA and RoHS compliant
WARRANTY	5 years (24/7)*

*Warranty is applied only and if storage, mounting and maintenance conditions, stated in the installation guide, are followed.



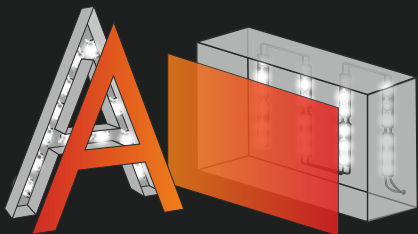
Dimensions are in mm

ORDERING INFORMATION

SKU	SUPPLY VOLTAGE	CC DISTANCE, MM	POWER, W	LUMEN OUTPUT, LM	COLOUR / CCT
BMP-M3-03UH160CW150	12 VDC	340	1.5	174	6500 K
BMP-M3-03UH160R150		340	1.2	42	red
BMP-M3-03UH160CW110-24V	24 VDC	250	1.1	128	6500 K

NOTE: Modules are sold in full bags only, with a minimum order of one bag.

APPLICATION



best at 100 - 240 mm depth

PACKAGING INFORMATION

	CHAIN	BAG	BOX
12 VDC	24 pcs	120 pcs	840 pcs
24 VDC	66 pcs	66 pcs	594 pcs

5 YEARS WARRANTY

110 - 300

160°

6500 K

233 lm

2.0 W

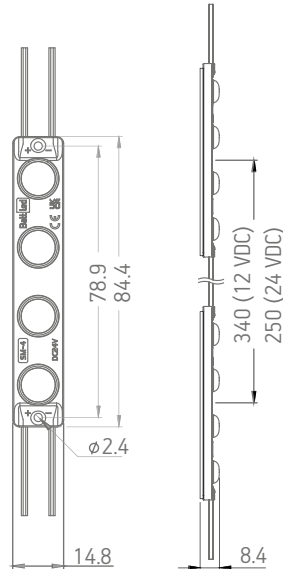
IP 67

L80 70 000 h

GENERAL SPECIFICATIONS

SUPPLY VOLTAGE	12 VDC 24 VDC
POWER	2.0 W 1.4 W
RECOMMENDED DEPTH	From 110 to 300 mm
CC DISTANCE	340 mm 250 mm
BINNING	3 SDCM
OPERATING TEMPERATURE	-20 °C ~ +50 °C
STORAGE TEMPERATURE	-30 °C ~ +60 °C
STORAGE CONDITIONS	Relative humidity <60%
LIFETIME	L80 70,000 h
CERTIFICATION	CE, UKCA and RoHS compliant
WARRANTY	5 years (24/7)*

*Warranty is applied only and if storage, mounting and maintenance conditions, stated in the installation guide, are followed.



Dimensions are in mm

ORDERING INFORMATION

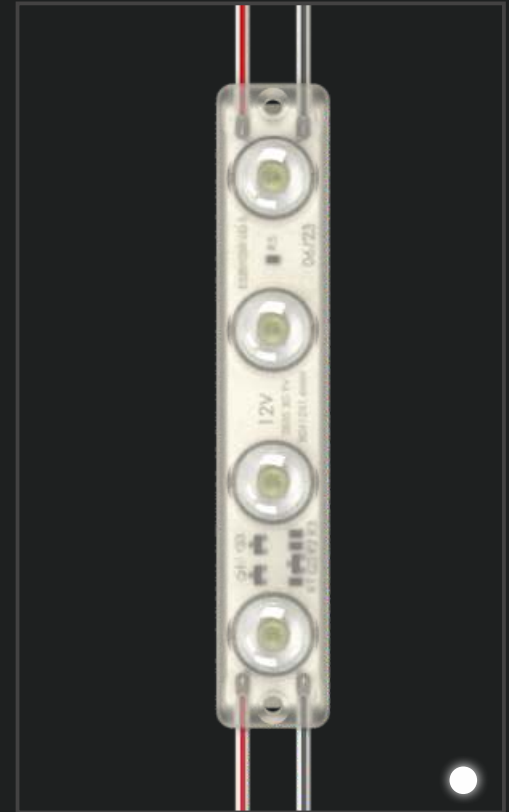
SKU	SUPPLY VOLTAGE	CC DISTANCE, MM	POWER, W	LUMEN OUTPUT, LM	COLOUR / CCT
BMP-M4-04UH160CW200	12 VDC	340	2.0	233	6500 K
BMP-M4-04UH160CW140-24V	24 VDC	250	1.4	166	6500 K

NOTE: Modules are sold in full bags only, with a minimum order of one bag.

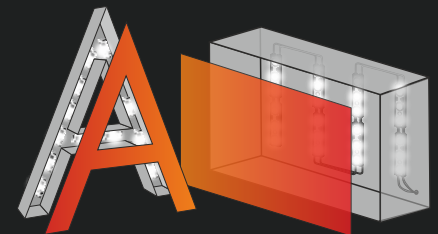
PACKAGING INFORMATION

	CHAIN	BAG	BOX
12 VDC	20 pcs	100 pcs	700 pcs
24 VDC	50 pcs	100 pcs	700 pcs

CHALLENGER 4



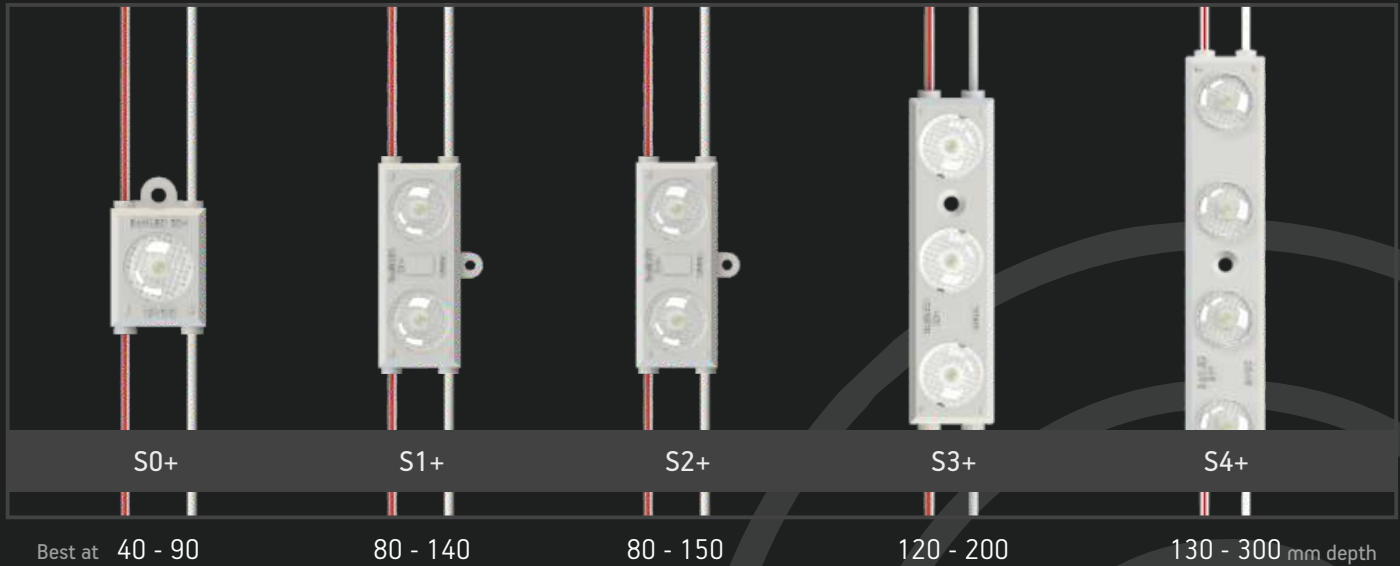
APPLICATION



best at 110 - 300 mm depth

OPTO S+ SERIES

FOR CHANNEL LETTERS + SINGLE-SIDED LIGHTBOXES



CENTRE-TO-CENTRE DISTANCE, mm

DEPTH, mm	40	50	60	70	80	90	100	110	120	130	140	150	160	170	180	190	200	220	250	280	300		
S0+	80	100	120	140	160	170																	
S1+					160	180	200	210	230	250	250												
S2+					150	170	190	200	210	250	290	300											
S3+									240	260	260	270	270	300	310	330	350						
S4+										350	350	360	360	370	370	380	380	390	390	400	400		

! Distances provided are based on testing in a lightbox with PLEXIGLAS® XT White WN770 GT, Translucency 30.0%. These are only recommendations and may vary based on application, cover material and other factors. For precise project calculation please contact us at projects@baltled.com

5 YEARS WARRANTY

40 - 90

160°

6500 K

64 lm

0.5 W

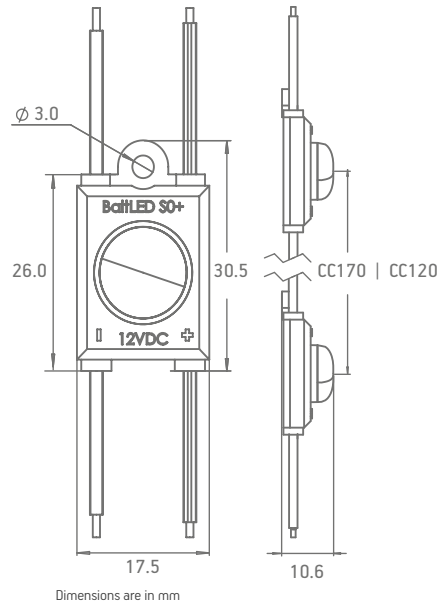
IP 67

L80 50 000 h

GENERAL SPECIFICATIONS

SUPPLY VOLTAGE	12 VDC
POWER	0.5 W
RECOMMENDED DEPTH	From 40 to 90 mm
CC DISTANCE	170 mm 120 mm
BINNING	3 SDCM
OPERATING TEMPERATURE	-30 °C ~ +50 °C
STORAGE TEMPERATURE	+5 °C ~ +70 °C
STORAGE CONDITIONS	Relative humidity <60%
LIFETIME	L80 50,000 h
CERTIFICATION	CE, UKCA and RoHS compliant
WARRANTY	5 years (24/7)*

*Warranty is applied only and if storage, mounting and maintenance conditions, stated in the installation guide, are followed.



Dimensions are in mm

ORDERING INFORMATION

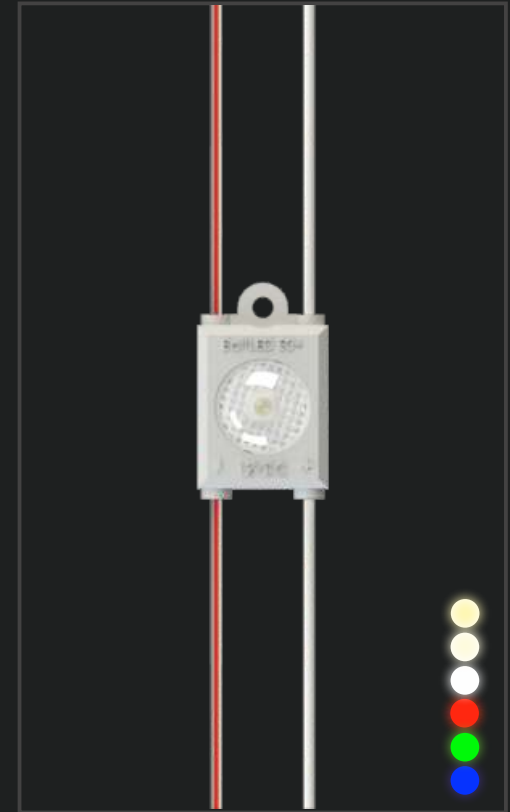
SKU	CC DISTANCE, MM	POWER, W	LUMEN OUTPUT, LM	COLOUR / CCT
BMOP-SP-LE1A160865E05	170	0.5	63	6500 K
BMOP-SP-LE1A160865E05CC	120	0.5	63	6500 K
BMOP-SP-LE1A160840E05	170	0.5	64	4000 K
BMOP-SP-LE1A160830E05	170	0.5	50	3000 K
BMOP-SP-LE1A160RE05	170	0.45	20	red
BMOP-SP-LE1A160GE05	170	0.5	44	green
BMOP-SP-LE1A160BE05	170	0.5	11	blue

NOTE: Modules are sold in full bags only, with a minimum order of one bag.

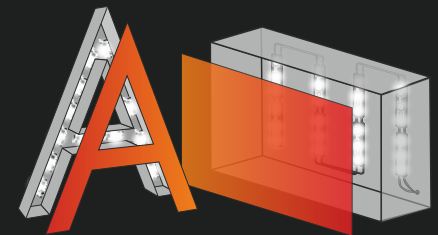
PACKAGING INFORMATION

CC DISTANCE, MM	CHAIN	BAG	BOX
170	60 pcs	120 pcs	1200 pcs
120	80 pcs	160 pcs	1280 pcs

OPTO S0+

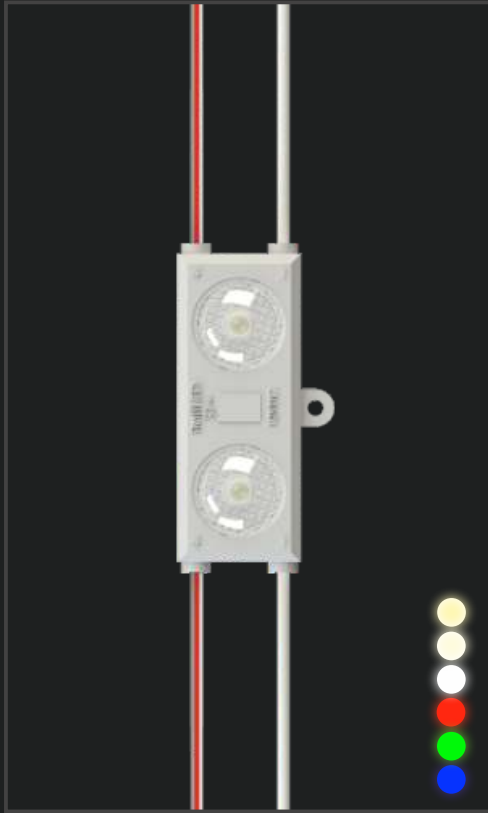


APPLICATION

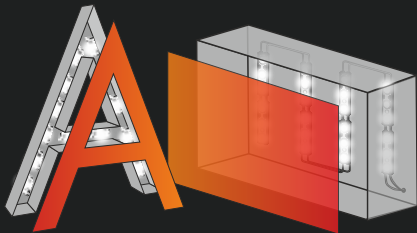


best at 40 - 90 mm depth

OPTO S1+



APPLICATION



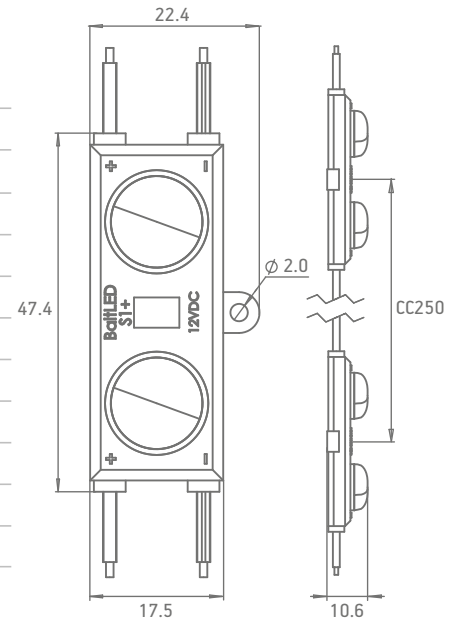
best at **80 - 140** mm depth



GENERAL SPECIFICATIONS

SUPPLY VOLTAGE	12 VDC
POWER	1.0 W
RECOMMENDED DEPTH	From 180 to 140 mm
CC DISTANCE	250 mm
BINNING	3 SDCM
OPERATING TEMPERATURE	-30 °C ~ +50 °C
STORAGE TEMPERATURE	+5 °C ~ +70 °C
STORAGE CONDITIONS	Relative humidity <60%
LIFETIME	L80 50,000 h
CERTIFICATION	CE, UKCA and RoHS compliant
WARRANTY	5 years (24/7)*

*Warranty is applied only and if storage, mounting and maintenance conditions, stated in the installation guide, are followed.



Dimensions are in mm

ORDERING INFORMATION

SKU	POWER, W	LUMEN OUTPUT, LM	COLOUR / CCT
BMOP-SP-LE2A160865E1	1.0	122	6500 K
BMOP-SP-LE2A160840E1	1.0	121	4000 K
BMOP-SP-LE2A160830E1	1.0	93	3000 K
BMOP-SP-LE2A160RE09	0.9	34	red
BMOP-SP-LE2A160GE1	1.0	85	green
BMOP-SP-LE2A160BE1	1.0	20	blue

NOTE: Modules are sold in full bags only, with a minimum order of one bag.

PACKAGING INFORMATION

CHAIN	BAG	BOX
35 pcs	70 pcs	560 pcs

10 YEARS
LIMITED
WARRANTY

mm
80 - 150

160°

6500 K

160 lm

1.0 W

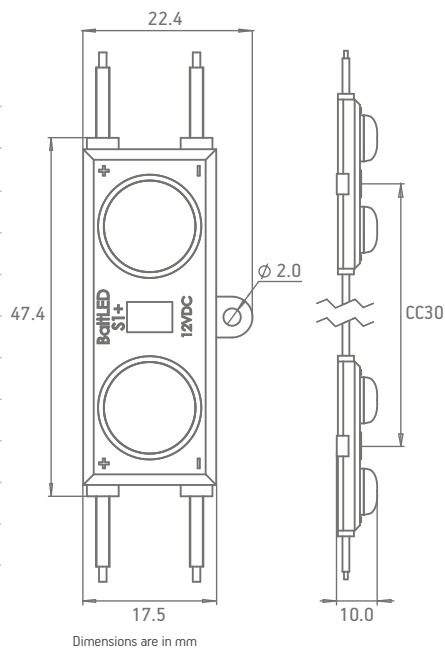
IP 67

L80
50 000 h

GENERAL SPECIFICATIONS

SUPPLY VOLTAGE	24 VDC
POWER	1.0 W
RECOMMENDED DEPTH	From 80 to 150 mm
CC DISTANCE	300 mm
BINNING	3 SDCM
OPERATING TEMPERATURE	-20 °C ~ +50 °C
STORAGE TEMPERATURE	-30 °C ~ +60 °C
STORAGE CONDITIONS	Relative humidity <60%
LIFETIME	L80 50,000 h
CERTIFICATION	CE, UKCA and RoHS compliant
WARRANTY	10 years (24/7)*

*Limited ten (10) years warranty is valid for the products only if BaltLED LED drivers (power suppliers) are used in the complete system starting with the SKU of BPSP-... and BPSE-... In other case, a standard 5 years warranty is given. Warranty is applied only and if storage, mounting and maintenance conditions, stated in the installation guide, are followed.



Dimensions are in mm

ORDERING INFORMATION

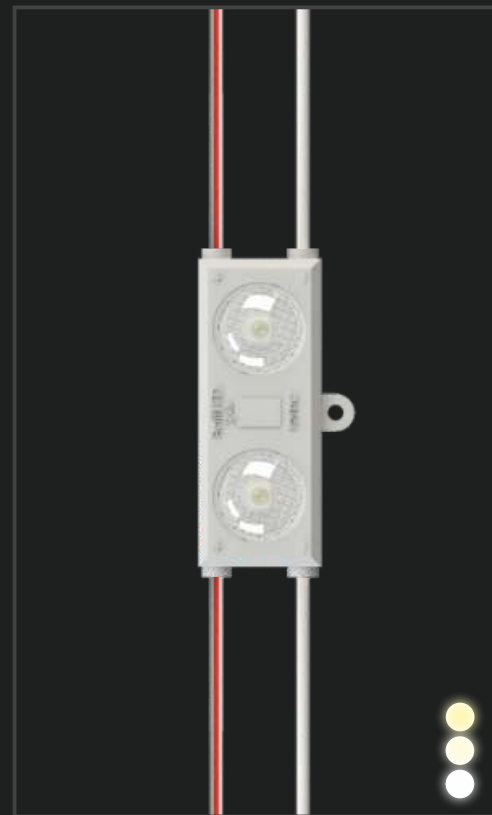
SKU	POWER, W	LUMEN OUTPUT, LM	COLOUR / CCT
BMP-S2P1-730E1-24V	1.0	148	3000 K
BMP-S2P1-740E1-24V	1.0	160	4000 K
BMP-S2P1-750E1-24V	1.0	160	5000 K
BMP-S2P1-765E1-24V	1.0	160	6500 K

NOTE: Modules are sold in full bags only, with a minimum order of one bag.

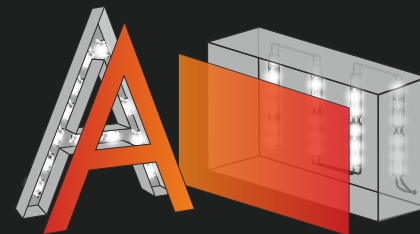
PACKAGING INFORMATION

CHAIN	BAG	BOX
45 pcs	90 pcs	720 pcs

OPTO S2+



APPLICATION

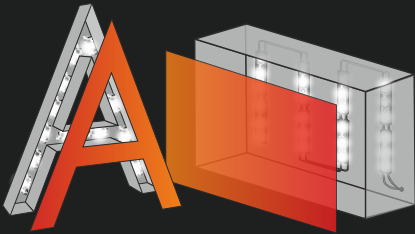


best at 80 - 150 mm depth

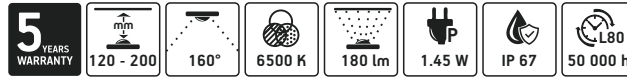
OPTO S3+



APPLICATION



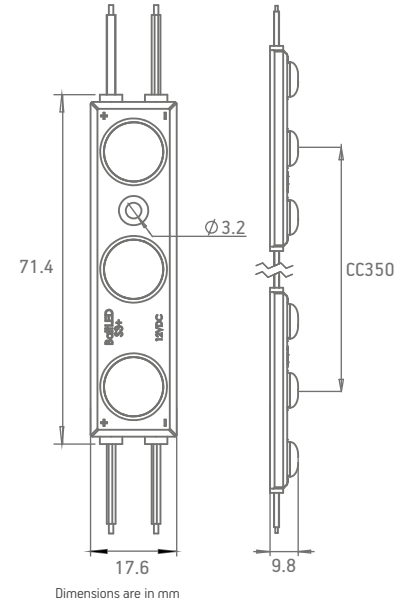
best at 120 - 200 mm depth



GENERAL SPECIFICATIONS

SUPPLY VOLTAGE	12 VDC
POWER	1.45 W 1.2 W
RECOMMENDED DEPTH	From 120 to 200 mm
CC DISTANCE	350 mm
BINNING	3 SDCM
OPERATING TEMPERATURE	-30 °C ~ +50 °C
STORAGE TEMPERATURE	+5 °C ~ +70 °C
STORAGE CONDITIONS	Relative humidity <60%
LIFETIME	L80 50,000 h
CERTIFICATION	CE, UKCA and RoHS compliant
WARRANTY	5 years (24/7)*

*Warranty is applied only and if storage, mounting and maintenance conditions, stated in the installation guide, are followed.



Dimensions are in mm

ORDERING INFORMATION

SKU	POWER, W	LUMEN OUTPUT, LM	COLOUR / CCT
BMOP-SP-LE3A160865E1.5	1.45	180	6500 K
BMOP-SP-LE3A160840E1.5	1.45	171	4000 K
BMOP-SP-LE3A160830E1.5	1.45	143	3000 K
BMOP-SP-LE3A160RE1.2	1.2	55	red

NOTE: Modules are sold in full bags only, with a minimum order of one bag.

PACKAGING INFORMATION

CHAIN	BAG	BOX
35 pcs	105 pcs	525 pcs

10 YEARS LIMITED WARRANTY

130 - 300

160°

6500 K

300 lm

1.8 W

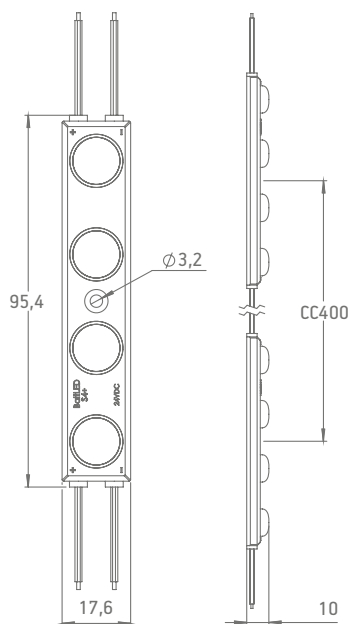
IP 67

L80 50 000 h

GENERAL SPECIFICATIONS

SUPPLY VOLTAGE	24 VDC
POWER	1.8 W
RECOMMENDED DEPTH	From 130 to 300 mm
CC DISTANCE	400 mm
BINNING	3 SDCM
OPERATING TEMPERATURE	-20 °C ~ +50 °C
STORAGE TEMPERATURE	-30 °C ~ +60 °C
STORAGE CONDITIONS	Relative humidity <60%
LIFETIME	L80 50,000 h
CERTIFICATION	CE, UKCA and RoHS compliant
WARRANTY	10 years (24/7)*

*Limited ten (10) years warranty is valid for the products only if BaltLED LED drivers (power suppliers) are used in the complete system starting with the SKU of BPSP-... and BPSE-... In other case, a standard 5 years warranty is given. Warranty is applied only and if storage, mounting and maintenance conditions, stated in the installation guide, are followed.



Dimensions are in mm



ORDERING INFORMATION

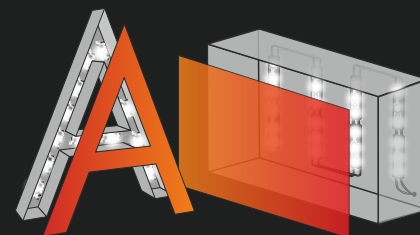
SKU	POWER, W	LUMEN OUTPUT, LM	COLOUR / CCT
BMP-S4P1-730E1.8-24V	1.8	276	3000 K
BMP-S4P1-740E1.8-24V	1.8	299	4000 K
BMP-S4P1-765E1.8-24V	1.8	299	6500 K

NOTE: Modules are sold in full bags only, with a minimum order of one bag.

PACKAGING INFORMATION

CHAIN	BAG	BOX
40 pcs	80 pcs	400 pcs

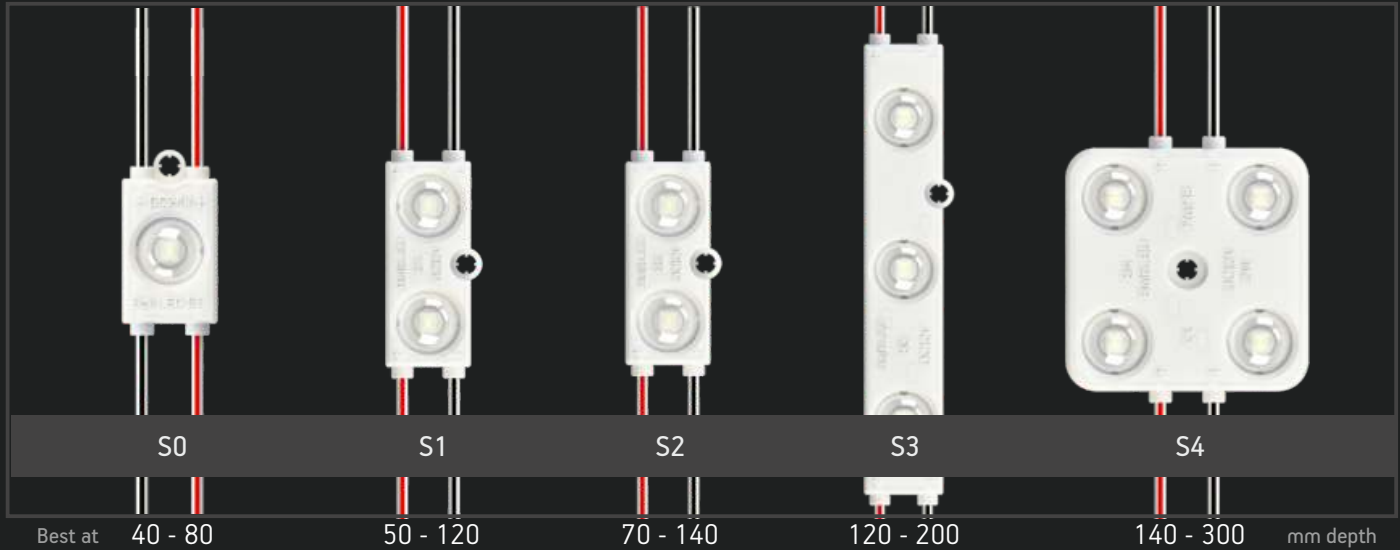
APPLICATION



best at 130 - 300 mm depth

STELLAR SERIES

FOR CHANNEL LETTERS + SINGLE-SIDED LIGHTBOXES



CENTRE-TO-CENTRE DISTANCE, mm

DEPTH, mm	40	50	60	70	80	90	100	110	120	130	140	150	160	170	180	190	200	250	300
S0	60	80	100	100	130														
S1			80	90	110	130	150	170	180	200									
S2				110	130	160	160	180	200	210	230								
S3									200	210	240	270	310	310	340	340	340		
S4											250	270	310	330	340	340	340	340	340

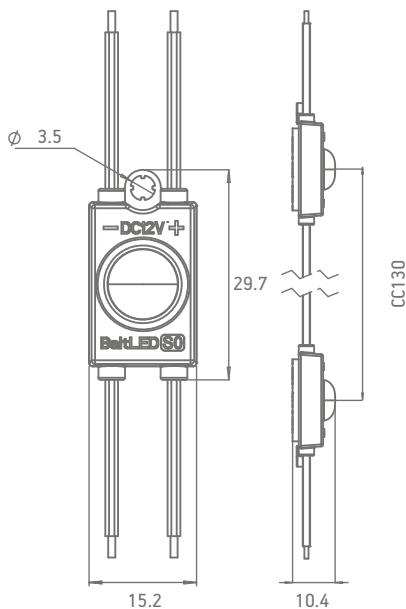
! Distances provided are based on testing in a lightbox with PLEXIGLAS® XT White WN770 GT, Translucency 30.0%. These are only recommendations and may vary based on application, cover material and other factors. For precise project calculation please contact us at projects@baltled.com



GENERAL SPECIFICATIONS

SUPPLY VOLTAGE	12 VDC
POWER	0.35 W
RECOMMENDED DEPTH	From 40 to 80 mm
CC DISTANCE	130 mm
BINNING	3 SDCM
OPERATING TEMPERATURE	-30 °C ~ +60 °C
STORAGE TEMPERATURE	+5 °C ~ +50 °C
STORAGE CONDITIONS	Relative humidity <60%
LIFETIME	L70 100,000 h (6500K) L70 50,000 h (other colors)
CERTIFICATION	CE, UKCA, RoHS and UL compliant
WARRANTY	5 years (24/7)*

*Warranty is applied only and if storage, mounting and maintenance conditions, stated in the installation guide, are followed.



Dimensions are in mm

ORDERING INFORMATION

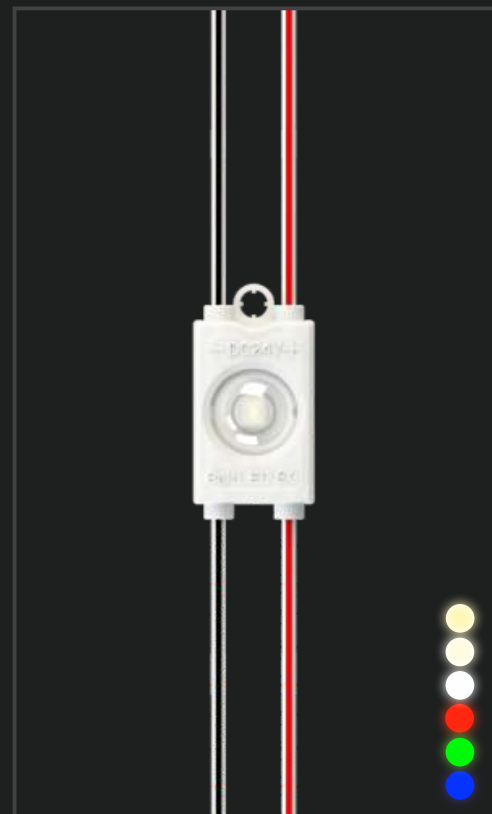
SKU	POWER, W	LUMEN OUTPUT, LM	COLOUR/CCT
BMP-S0-01UH160CW700	0.35	43	6500 K
BMP-S0-01UH160NW400	0.35	42	4000 K
BMP-S0-01UH160WW300	0.35	40	3000 K
BMP-S0-01UH160RC	0.35	15	red
BMP-S0-01UH160GC	0.35	25	green
BMP-S0-01UH160BC	0.35	6	blue

NOTE: Modules are sold in full bags only, with a minimum order of one bag.

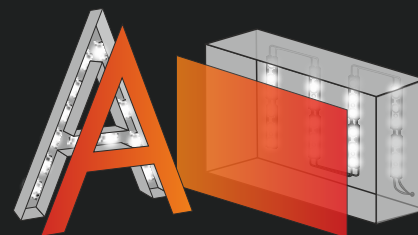
PACKAGING INFORMATION

	CHAIN	BAG	BOX
6500 K 12 VDC			
4000 K 12 VDC	60 pcs	120 pcs	1200 pcs
3000 K 12 VDC			
OTHER COLOURS	70 pcs	140 pcs	1400 pcs

STELLAR 0

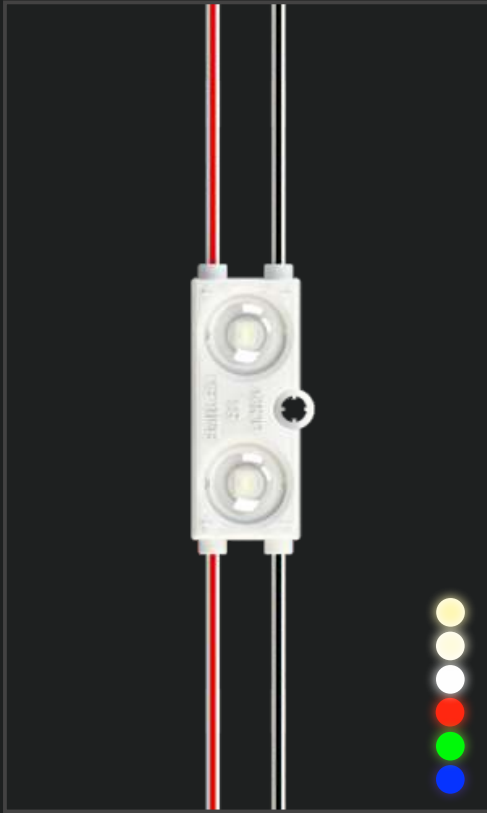


APPLICATION

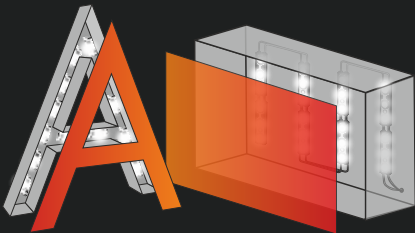


best at 40 - 80 mm depth

STELLAR 1



APPLICATION



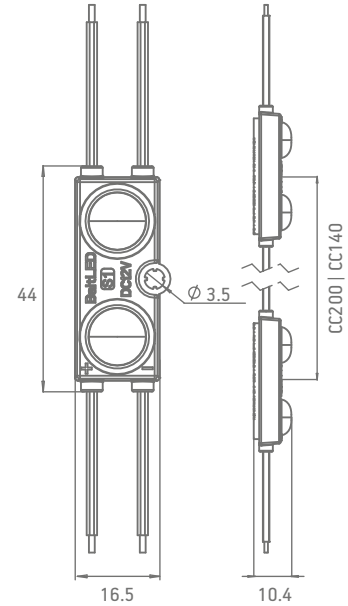
best at 50 - 120 mm depth



GENERAL SPECIFICATIONS

SUPPLY VOLTAGE	12 VDC 24 VDC
POWER	0.75 W 0.5 W
RECOMMENDED DEPTH	From 50 to 120 mm
CC DISTANCE	200 mm 140 mm
BINNING	3 SDCM
OPERATING TEMPERATURE	-30 °C ~ +60 °C
STORAGE TEMPERATURE	+5 °C ~ +50 °C
STORAGE CONDITIONS	Relative humidity <60%
LIFETIME	L70 100,000 h (6500K) L70 50,000 h (other colors)
CERTIFICATION	CE, UKCA, RoHS and UL compliant
WARRANTY	5 years (24/7)*

*Warranty is applied only and if storage, mounting and maintenance conditions, stated in the installation guide, are followed.



Dimensions are in mm

ORDERING INFORMATION

SKU	SUPPLY VOLTAGE	CC DISTANCE	POWER, W	LUMEN OUTPUT, LM	COLOUR/CCT
BMP-S1-02UH160CW700	12 VDC	200 mm	0.75	83	6500 K
BMP-S1-02UH160CW700-24V	24 VDC	140 mm	0.5	57	6500 K
BMP-S1-02UH160NW400	12 VDC	200 mm	0.75	80	4000 K
BMP-S1-02UH160WW300	12 VDC	200 mm	0.75	77	3000 K
BMP-S1-02UH160RC	12 VDC	200 mm	0.75	30	red
BMP-S1-02UH160GC	12 VDC	200 mm	0.75	50	green
BMP-S1-02UH160BC	12 VDC	200 mm	0.75	13	blue

NOTE: Modules are sold in full bags only, with a minimum order of one bag.

PACKAGING INFORMATION

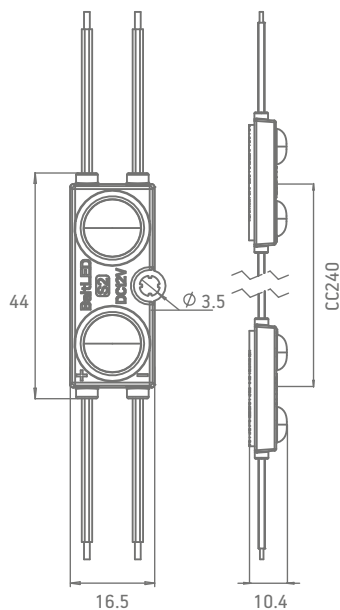
	CHAIN	BAG	BOX
12 VDC	50 pcs	100 pcs	1000 pcs
24 VDC	120 pcs	120 pcs	1200 pcs



GENERAL SPECIFICATIONS

SUPPLY VOLTAGE	12 VDC
POWER	1.0 W
RECOMMENDED DEPTH	From 70 to 140 mm
CC DISTANCE	240 mm
BINNING	3 SDCM
OPERATING TEMPERATURE	-30 °C ~ +60 °C
STORAGE TEMPERATURE	+5 °C ~ +50 °C
STORAGE CONDITIONS	Relative humidity <60%
LIFETIME	L70 100,000 h (6500K) L70 50,000 h (other colors)
CERTIFICATION	CE, UKCA, RoHS and UL compliant
WARRANTY	5 years (24/7)*

*Warranty is applied only and if storage, mounting and maintenance conditions, stated in the installation guide, are followed.



Dimensions are in mm

ORDERING INFORMATION

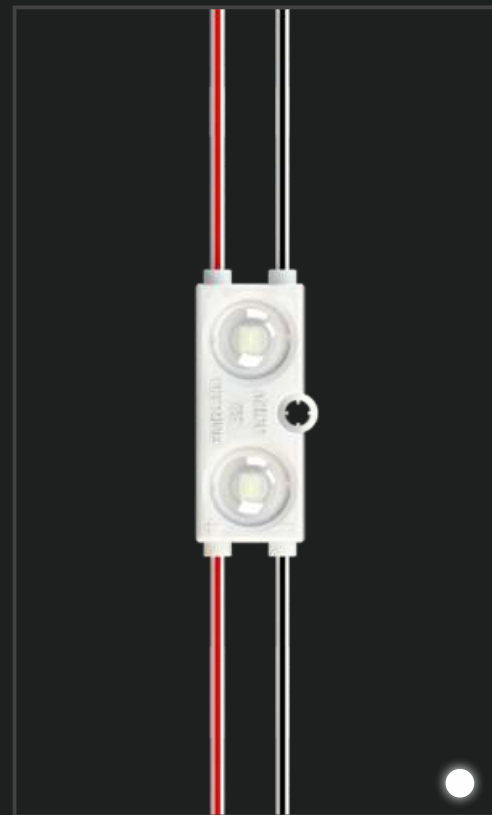
SKU	SUPPLY VOLTAGE	CC DISTANCE	POWER, W	LUMEN OUTPUT, LM	COLOUR/CCT
BMP-S2-02UH160CW700	12 VDC	240	1	114	6500 K

NOTE: Modules are sold in full bags only, with a minimum order of one bag.

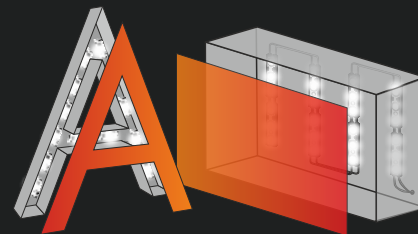
PACKAGING INFORMATION

CHAIN	BAG	BOX
40 pcs	120 pcs	1080 pcs

STELLAR 2



APPLICATION



best at 70 - 140 mm depth

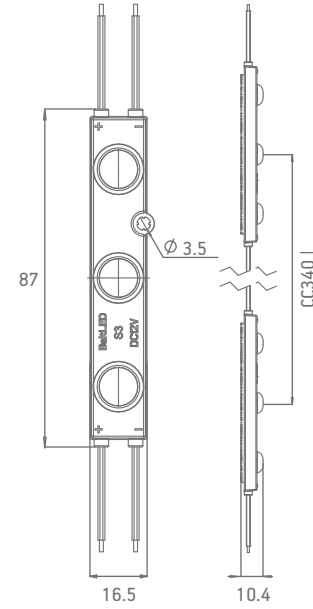
STELLAR 3



GENERAL SPECIFICATIONS

SUPPLY VOLTAGE	12 VDC
POWER	1.5 W
RECOMMENDED DEPTH	From 120 to 200 mm
CC DISTANCE	340 mm
BINNING	3 SDCM
OPERATING TEMPERATURE	-30 °C ~ +60 °C
STORAGE TEMPERATURE	+5 °C ~ +50 °C
STORAGE CONDITIONS	Relative humidity <60%
LIFETIME	L70 100,000 h (6500K) L70 50,000 h (other colors)
CERTIFICATION	CE, UKCA, RoHS and UL compliant
WARRANTY	5 years (24/7)*

*Warranty is applied only and if storage, mounting and maintenance conditions, stated in the installation guide, are followed.



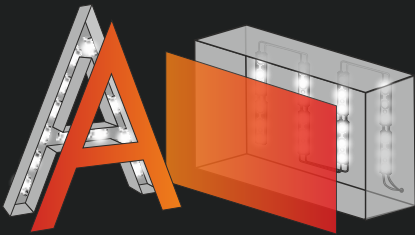
Dimensions are in mm

ORDERING INFORMATION

SKU	POWER, W	LUMEN OUTPUT, LM	COLOUR/CCT
BMP-S3-03UH160CW700	1.5	176	6500 K
BMP-S3-03UH160WW301	1.5	152	3000 K

NOTE: Modules are sold in full bags only, with a minimum order of one bag.

APPLICATION



best at 120 - 200 mm depth

PACKAGING INFORMATION

CHAIN	BAG	BOX
25 pcs	75 pcs	675 pcs

5
WARRANTYmm
140 - 300

160°

7000 K

237 lm

2.0 W

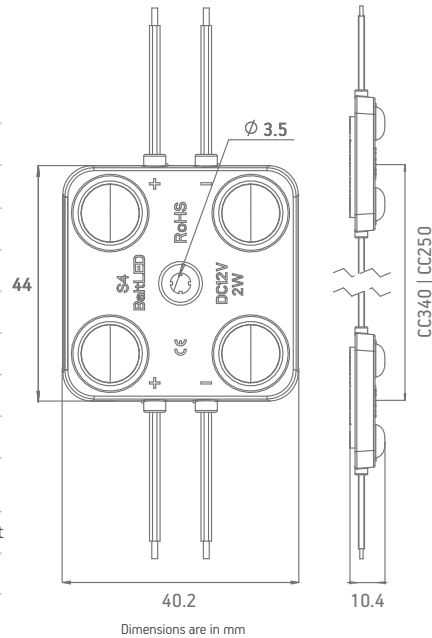
IP 67

L70
100 000 h

GENERAL SPECIFICATIONS

SUPPLY VOLTAGE	12 VDC 24 VDC
POWER	2 W 1.4 W
RECOMMENDED DEPTH	From 140 to 300 mm
CC DISTANCE	340 mm 250 mm
BINNING	3 SDCM
OPERATING TEMPERATURE	-30 °C ~ +60 °C
STORAGE TEMPERATURE	+5 °C ~ +50 °C
STORAGE CONDITIONS	Relative humidity <60%
LIFETIME	L70 100,000 h (6500K) L70 50,000 h (other colors)
CERTIFICATION	CE, UKCA, RoHS and UL compliant
WARRANTY	5 years (24/7)*

*Warranty is applied only and if storage, mounting and maintenance conditions, stated in the installation guide, are followed.



ORDERING INFORMATION

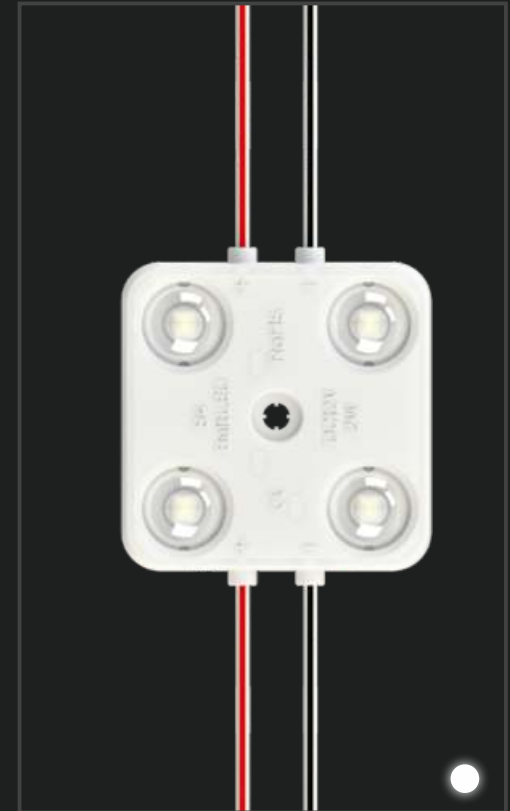
SKU	SUPPLY VOLTAGE	CC DISTANCE	POWER, W	LUMEN OUTPUT, LM	COLOUR/CCT
BMP-S4-04UH160CW700	12 VDC	340 mm	2.0	237	6500 K
BMP-S4-04UH160CW700-24V	24 VDC	250 mm	1.4	161	6500 K

NOTE: Modules are sold in full bags only, with a minimum order of one bag.

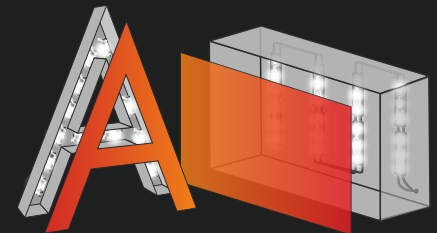
PACKAGING INFORMATION

	CHAIN	BAG	BOX
12 VDC	20 pcs	60 pcs	420 pcs
24 VDC	50 pcs	50 pcs	350 pcs

STELLAR 4



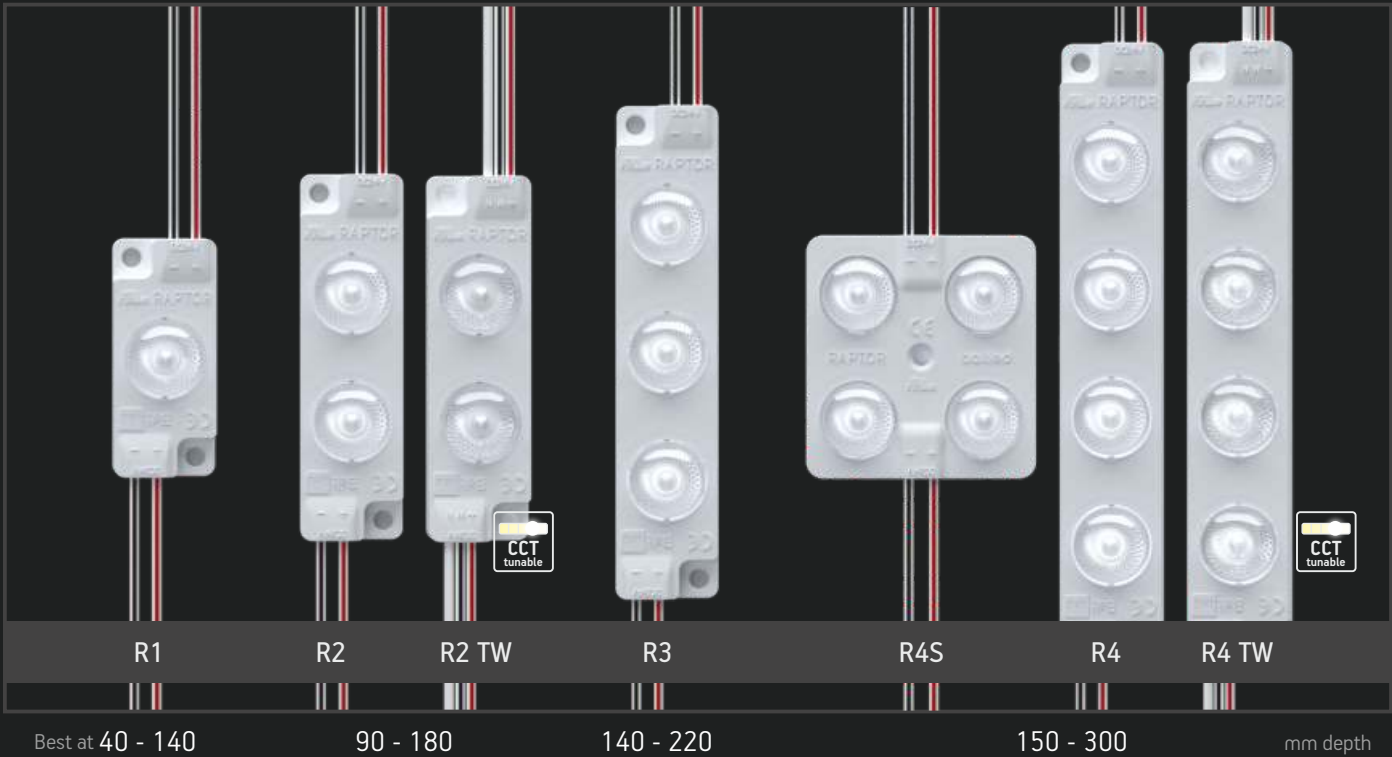
APPLICATION



best at 140 - 300 mm depth

RAPTOR SERIES

FOR SINGLE-SIDED LIGHTBOXES



CENTRE-TO-CENTRE DISTANCE, mm

DEPTH, mm	40	50	60	70	80	90	100	110	120	130	140	150	160	170	180	200	220	250	300		
R1	80	110	140	170	200	200	200	200	200	200	200										
R2 R2 TW						250	250	250	250	250	250	250	250	250	250	250					
R3												300	300	300	300	300	300	300			
R4 R4 TW													350	350	350	350	350	350	350	350	350

! Distances provided are based on testing in a lightbox with PLEXIGLAS® XT White WN770 GT, Translucency 30.0%. These are only recommendations and may vary based on application, cover material and other factors. For precise project calculation please contact us at projects@balttled.com

5 YEARS WARRANTY

40 - 140

178°

6500 K

120 lm

1.0 W

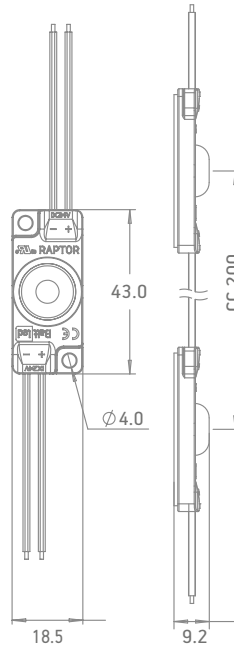
IP 67

L80 75 000 h

GENERAL SPECIFICATIONS

SUPPLY VOLTAGE	12 VDC 24 VDC
POWER	1.0 W 1.0W
RECOMMENDED DEPTH	From 40 to 140 mm
CC DISTANCE	200 mm
BINNING	3 SDCM
OPERATING TEMPERATURE	-20 °C ~ +50 °C
STORAGE TEMPERATURE	-30 °C ~ +60 °C
STORAGE CONDITIONS	Relative humidity <60%
LIFETIME	L80 75,000 h
CERTIFICATION	CE, UKCA, and RoHS compliant
WARRANTY	5 years (24/7)*

*Warranty is applied only and if storage, mounting and maintenance conditions, stated in the installation guide, are followed.



Dimensions are in mm

ORDERING INFORMATION

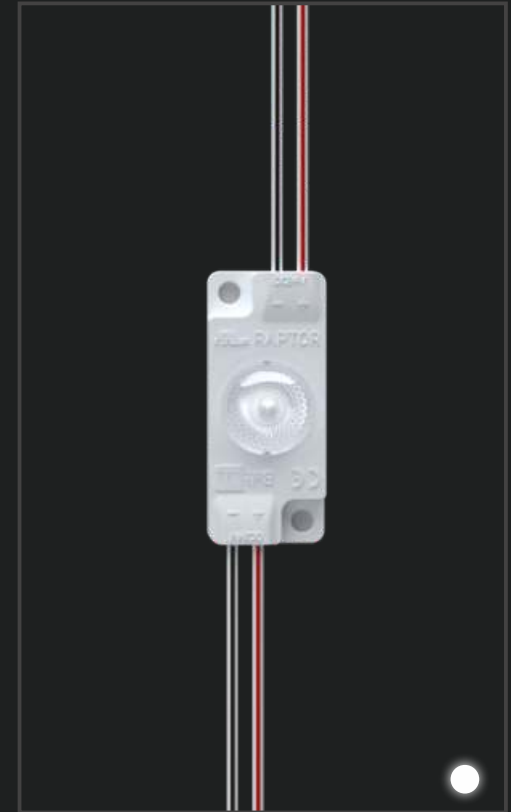
SKU	SUPPLY VOLTAGE	POWER, W	LUMEN OUTPUT, LM	COLOUR/CCT
BMP-R1-865E1.0	12 VDC	1.0	120	6500 K
BMP-R1-865E1.0-24V	24 VDC	1.0	110	6500 K

NOTE: Modules are sold in full bags only, with a minimum order of one bag.

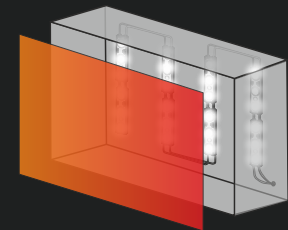
PACKAGING INFORMATION

	CHAIN	BAG	BOX
12 VDC	40 pcs	80 pcs	800 pcs
24 VDC	80 pcs	80 pcs	800 pcs

RAPTOR 1

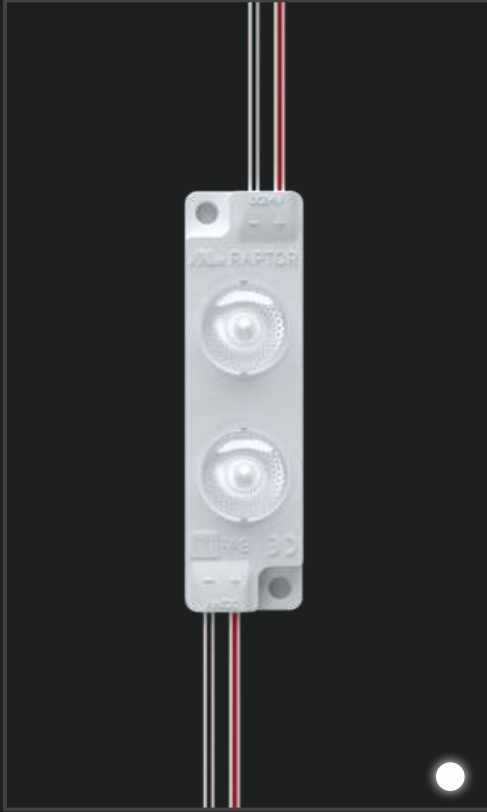


APPLICATION



best at 40 - 140 mm depth

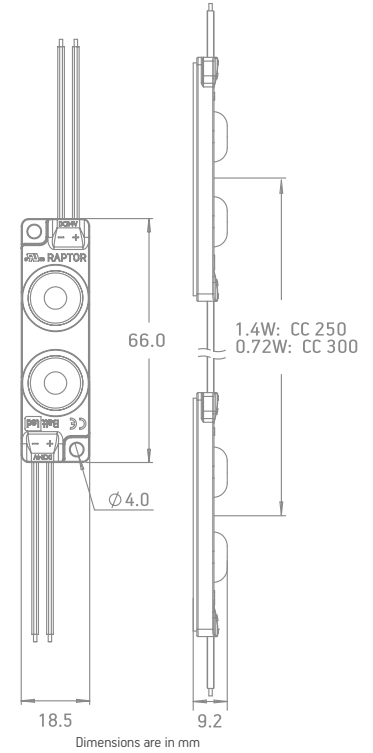
RAPTOR 2



GENERAL SPECIFICATIONS

SUPPLY VOLTAGE	24 VDC
POWER	0.72 W 1.4 W
RECOMMENDED DEPTH	From 90 to 180 mm
CC DISTANCE	300 mm 250 mm
BINNING	3 SDCM
OPERATING TEMPERATURE	-20 °C ~ +50 °C
STORAGE TEMPERATURE	-30 °C ~ +60 °C
STORAGE CONDITIONS	Relative humidity <60%
LIFETIME	L80 75,000 h
CERTIFICATION	CE, UKCA, and RoHS compliant
WARRANTY	5 years (24/7)*

*Warranty is applied only and if storage, mounting and maintenance conditions, stated in the installation guide, are followed.

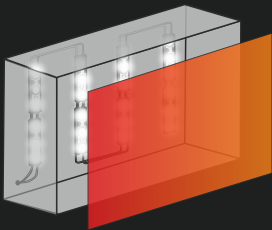


ORDERING INFORMATION

SKU	POWER, W	CC DISTANCE, MM	LUMEN OUTPUT, LM	COLOUR/CCT
BMP-R2-865E1.4-24V	1.4	250	168	6500 K
BMP-R2-765E0.72-24V-HE	0.72	300	114	6500 K

NOTE: Modules are sold in full bags only, with a minimum order of one bag.

APPLICATION



best at **90 - 180** mm depth

PACKAGING INFORMATION

	CHAIN	BAG	BOX
1.4 W	60 pcs	60 pcs	720 pcs
0.72 W	50 pcs	50 pcs	700 pcs

5 YEARS WARRANTY

90 - 180

178°

6500 K

161 lm

1.4 W

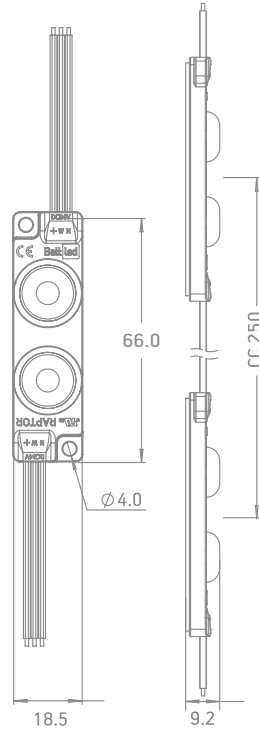
IP 67

L80 75 000 h

GENERAL SPECIFICATIONS

SUPPLY VOLTAGE	24 VDC
POWER	1.4 W
RECOMMENDED DEPTH	From 90 to 180 mm
CC DISTANCE	250 mm
BINNING	3 SDCM
OPERATING TEMPERATURE	-20 °C ~ +50 °C
STORAGE TEMPERATURE	-30 °C ~ +60 °C
STORAGE CONDITIONS	Relative humidity <60%
LIFETIME	L80 75,000 h
CERTIFICATION	CE, UKCA, and RoHS compliant
WARRANTY	5 years (24/7)*

*Warranty is applied only and if storage, mounting and maintenance conditions, stated in the installation guide, are followed.



Dimensions are in mm

ORDERING INFORMATION

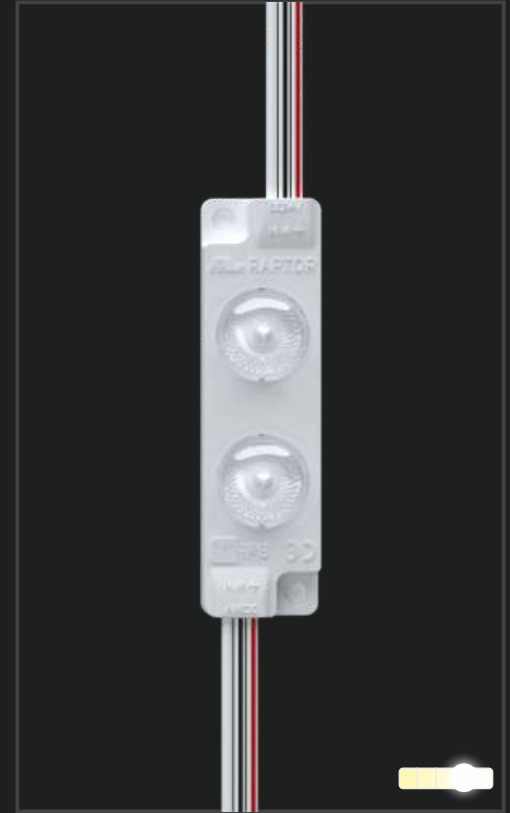
SKU	POWER, W	LUMEN OUTPUT, LM	COLOUR/CCT
BMP-R2-TWE1.4-24V	1.4	161 (TW)	3000K - 6500 K

NOTE: Modules are sold in full bags only, with a minimum order of one bag.

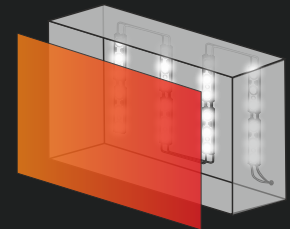
PACKAGING INFORMATION

CHAIN	BAG	BOX
60 pcs	60 pcs	720 pcs

RAPTOR 2 TW



APPLICATION

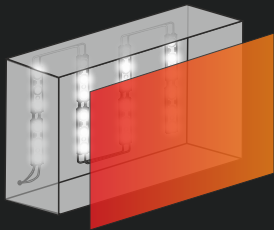


best at 90 - 180 mm depth

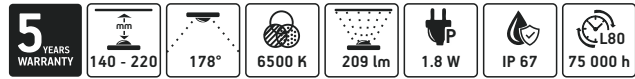
RAPTOR 3



APPLICATION



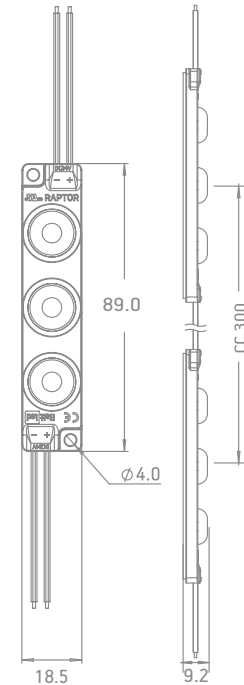
best at 140 - 220 mm depth



GENERAL SPECIFICATIONS

SUPPLY VOLTAGE	24 VDC
POWER	1.8 W
RECOMMENDED DEPTH	From 140 to 220 mm
CC DISTANCE	300 mm
BINNING	3 SDCM
OPERATING TEMPERATURE	-20 °C ~ +50 °C
STORAGE TEMPERATURE	-30 °C ~ +60 °C
STORAGE CONDITIONS	Relative humidity <60%
LIFETIME	L80 75,000 h
CERTIFICATION	CE, UKCA, and RoHS compliant
WARRANTY	5 years (24/7)*

*Warranty is applied only and if storage, mounting and maintenance conditions, stated in the installation guide, are followed.



Dimensions are in mm

ORDERING INFORMATION

SKU	POWER, W	LUMEN OUTPUT, LM	COLOUR/CCT
BMP-R3-865E1.8-24V	1.8	209	6500 K

NOTE: Modules are sold in full bags only, with a minimum order of one bag.

PACKAGING INFORMATION

CHAIN	BAG	BOX
50 pcs	50 pcs	450 pcs

5 YEARS WARRANTY

150 - 300

178°

6500 K

269 lm

2.2 W

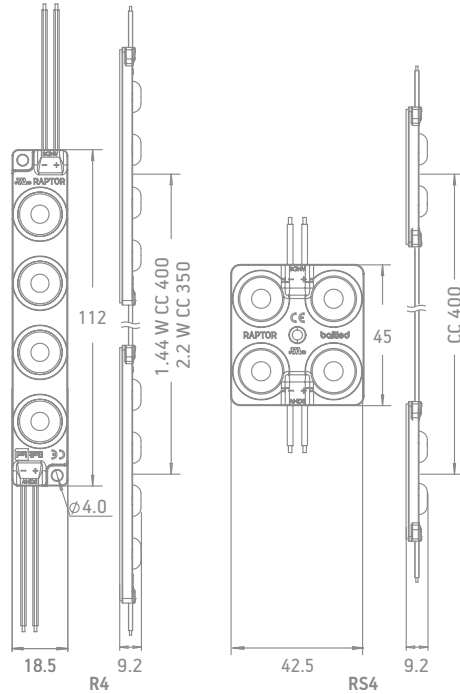
IP 67

L80 75 000 h

GENERAL SPECIFICATIONS

SUPPLY VOLTAGE	24 VDC
POWER	1.44 W 2.2 W
RECOMMENDED DEPTH	From 150 to 300 mm
CC DISTANCE	400 mm 350 mm
BINNING	3 SDCM
OPERATING TEMPERATURE	-20 °C ~ +50 °C
STORAGE TEMPERATURE	-30 °C ~ +60 °C
STORAGE CONDITIONS	Relative humidity <60%
LIFETIME	L80 75,000 h
CERTIFICATION	CE, UKCA, RoHS compliant
WARRANTY	5 years (24/7)*

*Warranty is applied only and if storage, mounting and maintenance conditions, stated in the installation guide, are followed.



Dimensions are in mm

ORDERING INFORMATION

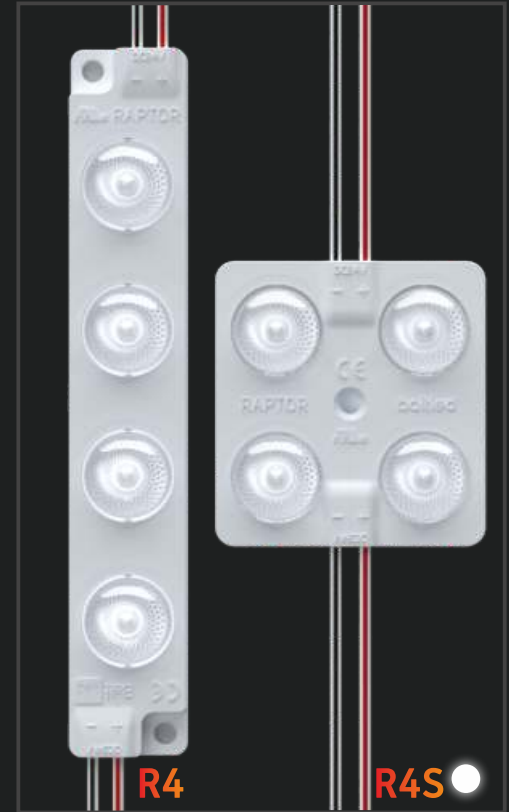
SKU	POWER, W	CC DISTANCE, MM	LUMEN OUTPUT, LM	COLOUR/CCT
BMP-R4-865E2.2-24V	2.2	350	269	6500 K
BMP-R4-765E1.44-24V-HE	1.44	400	236	6500 K
BMP-R4S-765E1.44-24V-HE	1.44	400	236	6500 K

NOTE: Modules are sold in full bags only, with a minimum order of one bag.

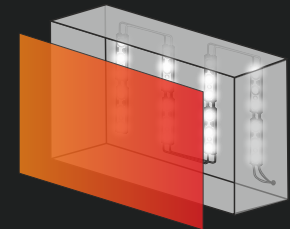
PACKAGING INFORMATION

	CHAIN	BAG	BOX
R4 2.2 W	40 pcs	40 pcs	400 pcs
R4 1.44 W	30 pcs	30 pcs	390 pcs
R4S 1.44 W	30 pcs	30 pcs	420 pcs

RAPTOR 4

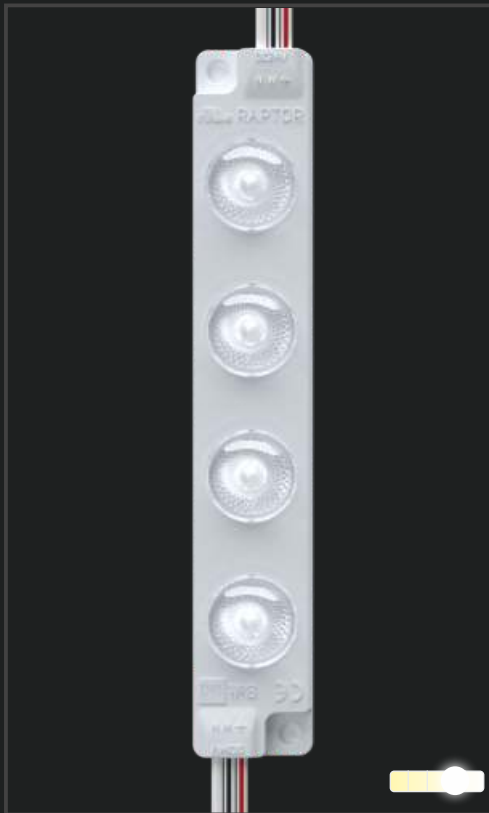


APPLICATION

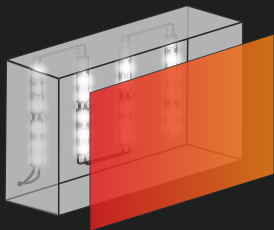


best at 150 - 300 mm depth

RAPTOR 4 TW



APPLICATION



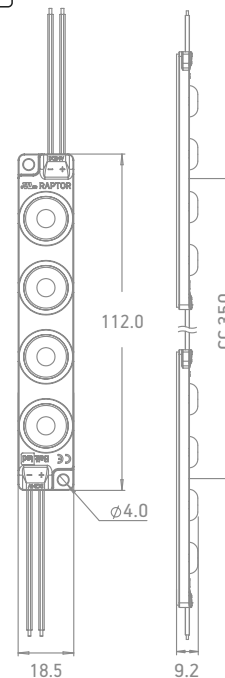
best at 150 - 300 mm depth



GENERAL SPECIFICATIONS

SUPPLY VOLTAGE	24 VDC
POWER	2.2 W
RECOMMENDED DEPTH	From 150 to 300 mm
CC DISTANCE	350 mm
BINNING	3 SDCM
OPERATING TEMPERATURE	-20 °C ~ +50 °C
STORAGE TEMPERATURE	-30 °C ~ +60 °C
STORAGE CONDITIONS	Relative humidity <60%
LIFETIME	L80 75,000 h
CERTIFICATION	CE, UKCA, RoHS and UL compliant
WARRANTY	5 years (24/7)*

*Warranty is applied only and if storage, mounting and maintenance conditions, stated in the installation guide, are followed.



Dimensions are in mm

ORDERING INFORMATION

SKU	POWER, W	LUMEN OUTPUT, LM	COLOUR/CCT
BMP-R4-TWE2.2-24V	2.2	250 (TW)	3000K - 6500 K (4300 K TW)

NOTE: Modules are sold in full bags only, with a minimum order of one bag.

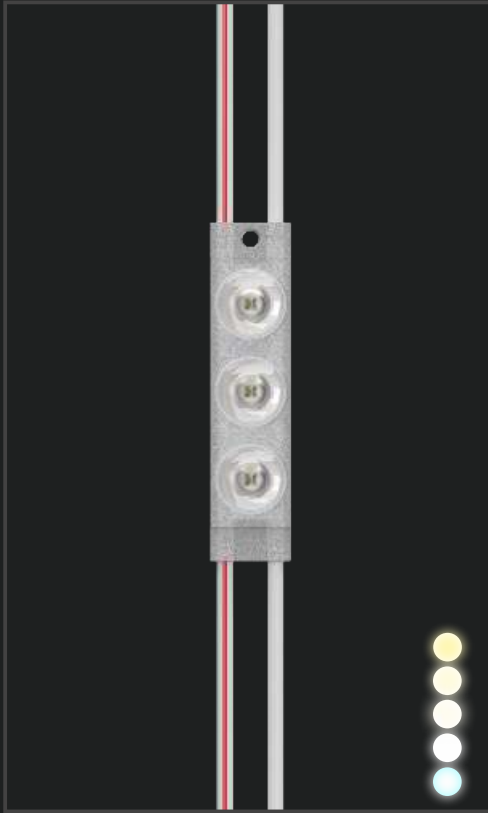
PACKAGING INFORMATION

CHAIN	BAG	BOX
40 pcs	40 pcs	400 pcs

PREMIUM: NEPTUN SERIES
FOR SINGLE-SIDED APPLICATIONS



NEPTUN 3



APPLICATION



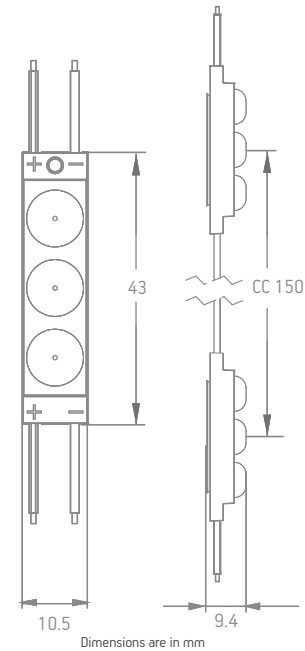
best at 40 - 100 mm depth



GENERAL SPECIFICATIONS

SUPPLY VOLTAGE	24 VDC
POWER	0.36 W
RECOMMENDED DEPTH	From 40 to 100 mm
CC DISTANCE	150 mm
BINNING	5 SDCM
OPERATING TEMPERATURE	-25 °C ~ +55 °C
STORAGE TEMPERATURE	-40 °C ~ +85 °C
STORAGE CONDITIONS	Relative humidity <60%
LIFETIME	L70 50,000 h
CERTIFICATION	CE, UKCA, RoHS compliant
WARRANTY	5 years*

*Warranty is applied only and if storage, mounting and maintenance conditions, stated in the installation guide, are followed.



Dimensions are in mm

ORDERING INFORMATION

SKU	POWER, W	LUMEN OUTPUT, LM	COLOUR/CCT
BMP-N3-730E0.36-24V	0.36	54	3000 K
BMP-N3-740E0.36-24V	0.36	54	4000 K
BMP-N3-750E0.36-24V	0.36	54	5000 K
BMP-N3-765E0.36-24V	0.36	54	6500 K
BMP-N3-771E0.36-24V	0.36	54	7100 K

NOTE: Modules are sold in full bags only, with a minimum order of one bag.

PACKAGING INFORMATION

CHAIN	BAG	BOX
50 pcs	100 pcs	1000 pcs

5
YEARS
WARRANTY

60 - 150

150°

6500 K

122 lm

0.72 W

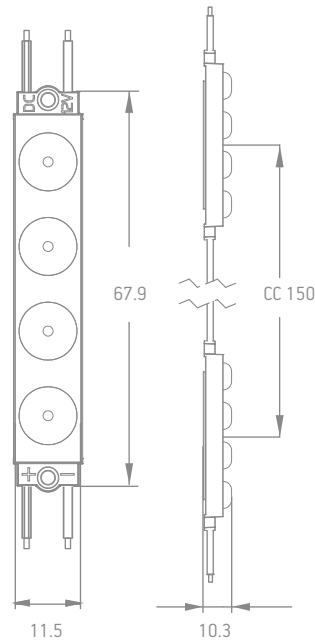
IP 68

L70
50 000 h

GENERAL SPECIFICATIONS

SUPPLY VOLTAGE	24 VDC 48 VDC
POWER	0.36 W, 0.72 W 0.72
RECOMMENDED DEPTH	From 60 to 150 mm
CC DISTANCE	150 mm
BINNING	5 SDCM
OPERATING TEMPERATURE	-40 °C ~ +60 °C
STORAGE TEMPERATURE	-40 °C ~ +85 °C
STORAGE CONDITIONS	Relative humidity <60%
LIFETIME	L70 50,000 h
CERTIFICATION	CE, UKCA, and RoHS compliant
WARRANTY	5 years*

*Warranty is applied only and if storage, mounting and maintenance conditions, stated in the installation guide, are followed.



Dimensions are in mm

ORDERING INFORMATION

SKU	VOLTAGE	POWER, W	LUMEN OUTPUT, LM	COLOUR/CCT
BMP-N4-771E0.36-24V	24 V	0.36	61	7100 K
BMP-N4-730E0.72-24V	24 V	0.72	122	3000 K
BMP-N4-740E0.72-24V	24 V	0.72	122	4000 K
BMP-N4-750E0.72-24V	24 V	0.72	122	5000 K
BMP-N4-765E0.72-24V	24 V	0.72	122	6500 K
BMP-N4-730E0.72-48V	48 V	0.72	122	3000 K
BMP-N4-740E0.72-48V	48 V	0.72	122	4000 K
BMP-N4-750E0.72-48V	48 V	0.72	122	5000 K
BMP-N4-765E0.72-48V	48 V	0.72	122	6500 K

NOTE: Modules are sold in full bags only, with a minimum order of one bag.

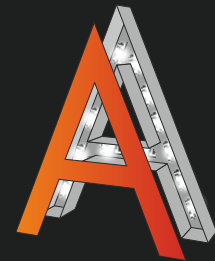
PACKAGING INFORMATION

	CHAIN	BAG	BOX
0.36 W 24 VDC	80 pcs	80 pcs	640 pcs
0.72 W 24 VDC	60 pcs	60 pcs	660 pcs
0.72 W 48 VDC	100 pcs	100 pcs	700 pcs

NEPTUN 4



APPLICATION



best at **60 - 150** mm depth

OTHER SOLUTIONS
FOR SINGLE-SIDED APPLICATIONS



5
YEARS
WARRANTY

mm
20 - 60

160°

6500 K

28 lm

0.3 W

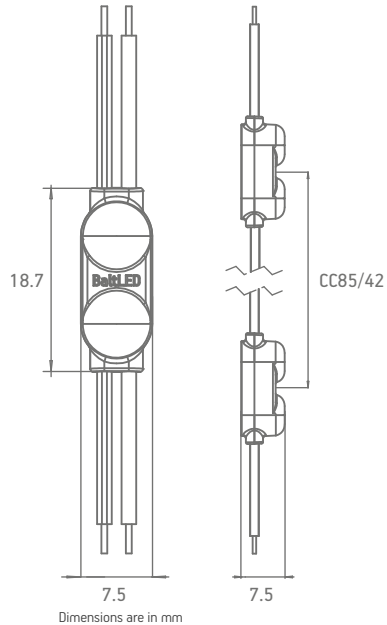
IP 66

L70
50 000 h

GENERAL SPECIFICATIONS

SUPPLY VOLTAGE	12 VDC
POWER	0.3 W
RECOMMENDED DEPTH	From 20 to 60 mm
CC DISTANCE	85 mm, 42 mm
BINNING	3 SDCM
OPERATING TEMPERATURE	-30 °C ~ +50 °C
STORAGE TEMPERATURE	+5 °C ~ +70 °C
STORAGE CONDITIONS	Relative humidity <60%
LIFETIME	L70 50,000 h (white)
CERTIFICATION	CE, UKCA and RoHS compliant
WARRANTY	5 years*

*Warranty is applied only and if storage, mounting and maintenance conditions, stated in the installation guide, are followed.



ORDERING INFORMATION

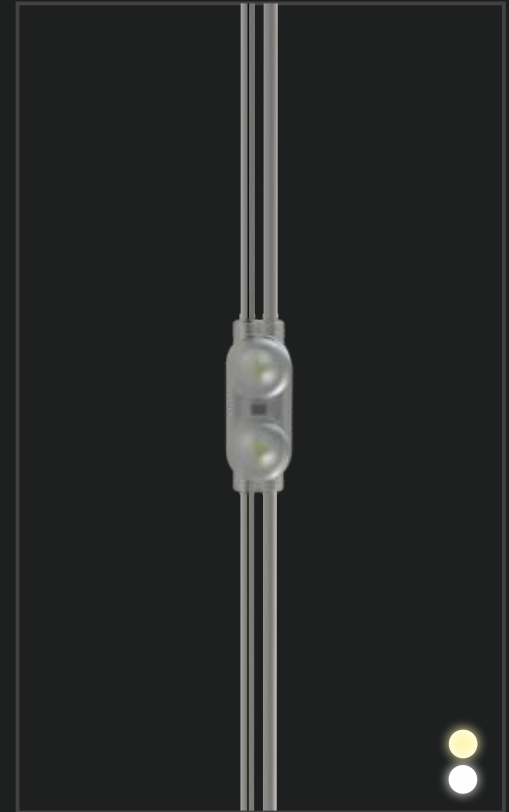
SKU	CC DISTANCE, MM	POWER, W	LUMEN OUTPUT, LM	COLOUR / CCT
BMP-5M-02UH160WW30	85	0.3	27	3000 ± 200 K
BMP-5M-02UH160CW70CC	42	0.3	28	6500 ± 250 K
BMP-5M-02UH160WW30CC	42	0.3	27	3000 ± 200 K

NOTE: Modules are sold in full bags only, with a minimum order of one bag.

PACKAGING INFORMATION

CHAIN	BAG	BOX
50 pcs	100 pcs	2000 pcs

MINI

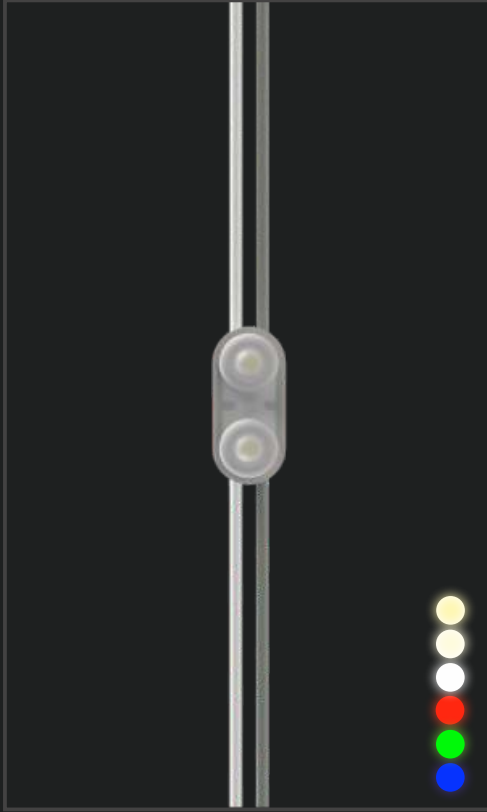


APPLICATION

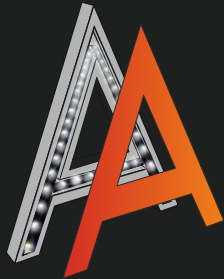


best at 20 - 60 mm depth

MINI HE



APPLICATION



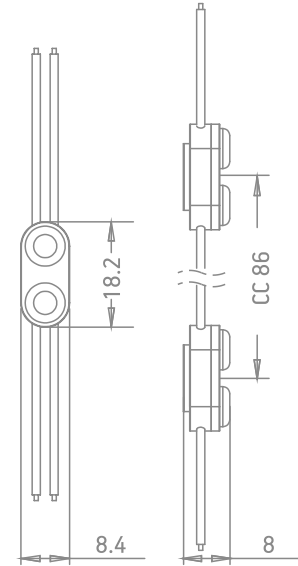
best at 20 - 60 mm depth



GENERAL SPECIFICATIONS

SUPPLY VOLTAGE	12 VDC 24 VDC
POWER	0.2 W
RECOMMENDED DEPTH	From 20 to 60 mm
CC DISTANCE	86 mm
BINNING	3 SDCM
OPERATING TEMPERATURE	-20 °C ~ +50 °C
STORAGE TEMPERATURE	-30 °C ~ +60 °C
STORAGE CONDITIONS	Relative humidity <60%
LIFETIME	L80 70,000 h (white)
CERTIFICATION	CE, UKCA and RoHS compliant
WARRANTY	5 years*

*Warranty is applied only and if storage, mounting and maintenance conditions, stated in the installation guide, are followed.



Dimensions are in mm

ORDERING INFORMATION

SKU	SUPPLY VOLTAGE	POWER, W	LUMEN OUTPUT, LM	COLOUR / CCT
BMP-5M-H765E0.2	12	0.2	32	6500 K
BMP-5M-H740E0.2	12	0.2	32	4000 K
BMP-5M-H730E0.2	12	0.2	30	3000 K
BMP-5M-H7RE0.2	12	0.2	10	red
BMP-5M-H7GE0.2	12	0.2	18	green
BMP-5M-H7BE0.2	12	0.2	3	blue
BMP-5M-H765E0.2-24V	24	0.2	32	6500 K
BMP-5M-H740E0.2-24V	24	0.2	32	4000 K
BMP-5M-H730E0.2-24V	24	0.2	30	3000 K
BMP-5M-H7RE0.2-24V	24	0.2	10	red

NOTE: Modules are sold in full bags only, with a minimum order of one bag.

PACKAGING INFORMATION

	CHAIN	BAG	BOX
12V	40 pcs	160 pcs	3360 pcs
24V	80 pcs	160 pcs	3360 pcs

5 YEARS WARRANTY

80 - 150

175°

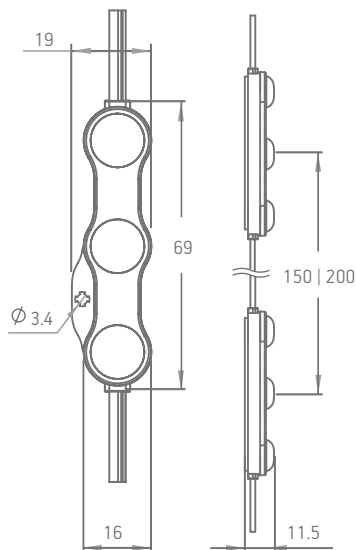
IP 68

L80 60 000 h

GENERAL SPECIFICATIONS

SUPPLY VOLTAGE	12 VDC 24 VDC
POWER	1.08 W
RECOMMENDED DEPTH	From 80 to 150 mm
CC DISTANCE	150 mm 200 mm
OPERATING TEMPERATURE	-20 °C ~ +60 °C
STORAGE TEMPERATURE	-40 °C ~ +60 °C
STORAGE CONDITIONS	Relative humidity <60%
LIFETIME	L80 60,000 h
CERTIFICATION	CE, UKCA and RoHS compliant
WARRANTY	5 years*

* Warranty is applied only and if storage, mounting and maintenance conditions, stated in the installation guide, are followed.



Dimensions are in mm

ORDERING INFORMATION

SKU	CC DISTANCE	VOLTAGE	POWER, W	LUMEN OUTPUT, LM	COLOUR / CCT
BMP-B3U-730E1.08	150 MM	12 VDC	1.08	185	3000K
BMP-B3U-740E1.08	150 MM	12 VDC	1.08	188	4000 K
BMP-B3U-750E1.08	150 MM	12 VDC	1.08	188	5000K
BMP-B3U-765E1.08	150 MM	12 VDC	1.08	188	6500K
BMP-B3U-71KE1.08	150 MM	12 VDC	1.08	185	10000K
BMP-B3U-765E1.08-24V	150 MM	24 VDC	1.08	186	6500K
BMP-B3U-765E1.08-CC	200 MM	12 VDC	1.08	188	6500K
BMP-B3U-765E1.08-CC-24V	200 MM	24 VDC	1.08	186	6500K

NOTE: Modules are sold in full bags only, with a minimum order of one bag.

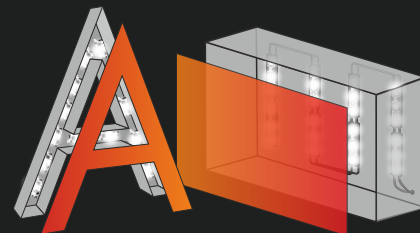
PACKAGING INFORMATION

	CHAIN	BAG	BOX
12 VDC	20 pcs	100 pcs	2000 pcs
24 VDC	40 pcs	80 pcs	2000 pcs

BASE 3 ULTRA

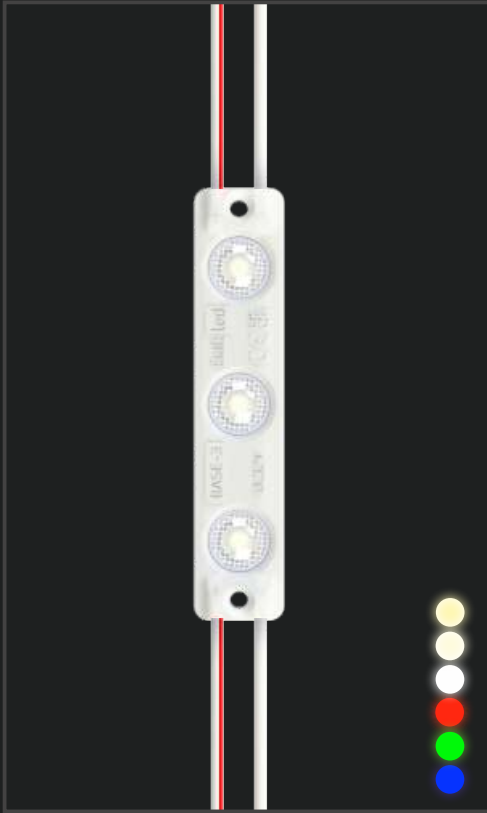


APPLICATION

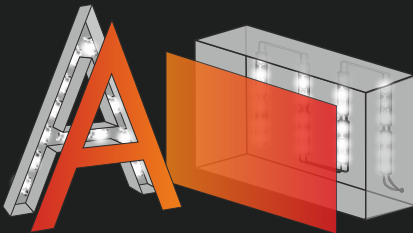


best at 80 - 150 mm depth

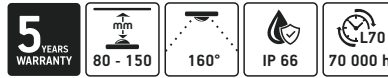
BASE 3



APPLICATION



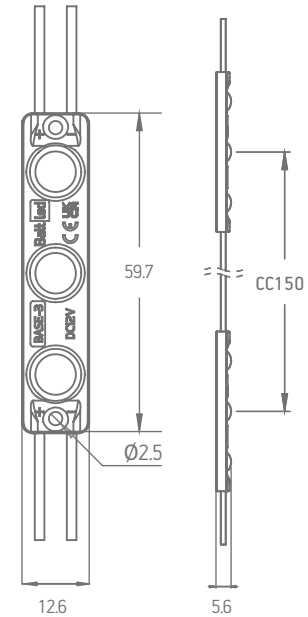
best at 80 - 150 mm depth



GENERAL SPECIFICATIONS

SUPPLY VOLTAGE	12 VDC
POWER	0.72 W 0.96 W
RECOMMENDED DEPTH	From 80 to 150 mm
CC DISTANCE	150 mm
OPERATING TEMPERATURE	-20 °C ~ +50 °C
STORAGE TEMPERATURE	-30 °C ~ +60 °C
STORAGE CONDITIONS	Relative humidity <60%
LIFETIME	L70 70,000 h
CERTIFICATION	CE, UKCA, RoHS and UL compliant
WARRANTY	5 years*

* Warranty is applied only and if storage, mounting and maintenance conditions, stated in the installation guide, are followed.



Dimensions are in mm

ORDERING INFORMATION

SKU	POWER, W	LUMEN OUTPUT, LM	COLOUR / CCT
BMP-S3-03UH160NW096-B3	0.96	146	4000 K
BMP-S3-03UH160WW096-B3	0.96	143	3000 K
BMP-S3-03UH160CW096-B3	0.96	150	6500 K - 7000 K
BMP-S3-03UH160G072-B3	0.72	74	green
BMP-S3-03UH160B072-B3	0.72	16	red

NOTE: Modules are sold in full bags only, with a minimum order of one bag,

PACKAGING INFORMATION

CHAIN	BAG	BOX
20 pcs	100 pcs	1400 pcs

5
YEARS
WARRANTY

mm
50 - 125

150°

RGB

27 lm

0.72 W

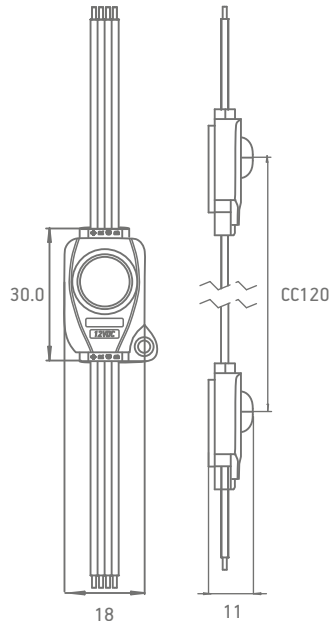
IP 66

L70
54 000 h

GENERAL SPECIFICATIONS

SUPPLY VOLTAGE	12 VDC
POWER	0.72 W
RECOMMENDED DEPTH	From 50 to 125 mm
CC DISTANCE	120 mm
OPERATING TEMPERATURE	-25 °C ~ +60 °C
STORAGE TEMPERATURE	-40 °C ~ +85 °C
STORAGE CONDITIONS	Relative humidity <60%
LIFETIME	L70 54,000 h
CERTIFICATION	CE, UKCA and RoHS compliant
WARRANTY	5 years*

* Warranty is applied only and if storage, mounting and maintenance conditions, stated in the installation guide, are followed.



Dimensions are in mm

ORDERING INFORMATION

SKU	POWER, W	LUMEN OUTPUT, LM	COLOUR / CCT	WAVE LENGTH red green blue
BMP-RGB-LE1A150E0.72	0.72	27	RGB	620~630 520~530 460~470

NOTE: Modules are sold in full bags only, with a minimum order of one bag.

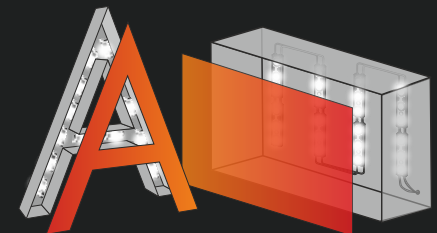
PACKAGING INFORMATION

CHAIN	BAG	BOX
20 pcs	80 pcs	640 pcs

RGB-1



APPLICATION



best at 80 - 150 mm depth

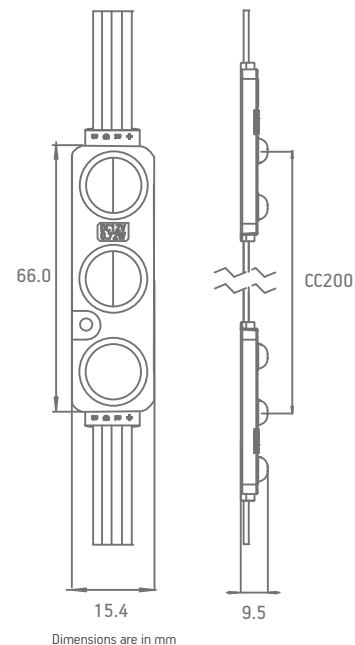
RGB | RGBW



GENERAL SPECIFICATIONS

SUPPLY VOLTAGE	12 VDC
POWER	0.72 W
RECOMMENDED DEPTH	From 60 to 150 mm
CC DISTANCE	200 mm
OPERATING TEMPERATURE	-25 °C ~ +55 °C
STORAGE TEMPERATURE	-40 °C ~ +85 °C
STORAGE CONDITIONS	Relative humidity <60%
LIFETIME	L70 50,000 h
CERTIFICATION	CE, UKCA and RoHS compliant
WARRANTY	5 years*

* Warranty is applied only and if storage, mounting and maintenance conditions, stated in the installation guide, are followed.



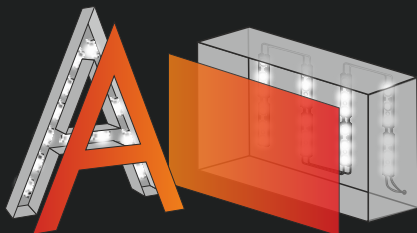
Dimensions are in mm

ORDERING INFORMATION

SKU	POWER, W	LUMEN OUTPUT, LM	COLOUR / CCT
BMOP-RGB-LE3A160E072	0.72	29	RGB
BMOP-RGBW-LE3A160E072	0.72	49	RGBW

NOTE: Modules are sold in full bags only, with a minimum order of one bag.

APPLICATION



best at 60 - 150 mm depth

PACKAGING INFORMATION

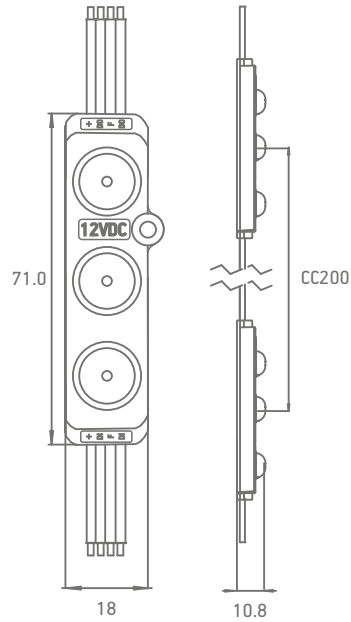
CHAIN	BAG	BOX
20 pcs	100 pcs	600 pcs



GENERAL SPECIFICATIONS

SUPPLY VOLTAGE	12 VDC
POWER	0.96 W
RECOMMENDED DEPTH	From 50 to 200 mm
CC DISTANCE	200 mm
OPERATING TEMPERATURE	-25 °C ~ +60 °C
STORAGE TEMPERATURE	-40 °C ~ +85 °C
STORAGE CONDITIONS	Relative humidity <60%
LIFETIME	L70 >54,000 h
CERTIFICATION	CE, UKCA and RoHS compliant
WARRANTY	5 years*

* Warranty is applied only and if storage, mounting and maintenance conditions, stated in the installation guide, are followed.



Dimensions are in mm

ORDERING INFORMATION

SKU	POWER, W	LUMEN OUTPUT, LM	COLOUR / CCT	WAVE LENGTH red green blue
BMP-RGBW-LE3A150E0.96-SPI	0.96	49	RGBW	620~630 520~530 460~470

NOTE: Modules are sold in full bags only, with a minimum order of one bag,

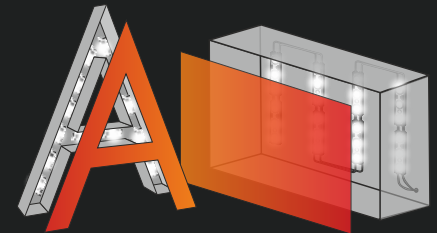
PACKAGING INFORMATION

CHAIN	BAG	BOX
20 pcs	100 pcs	600 pcs

RGBW SPI

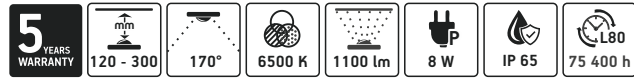
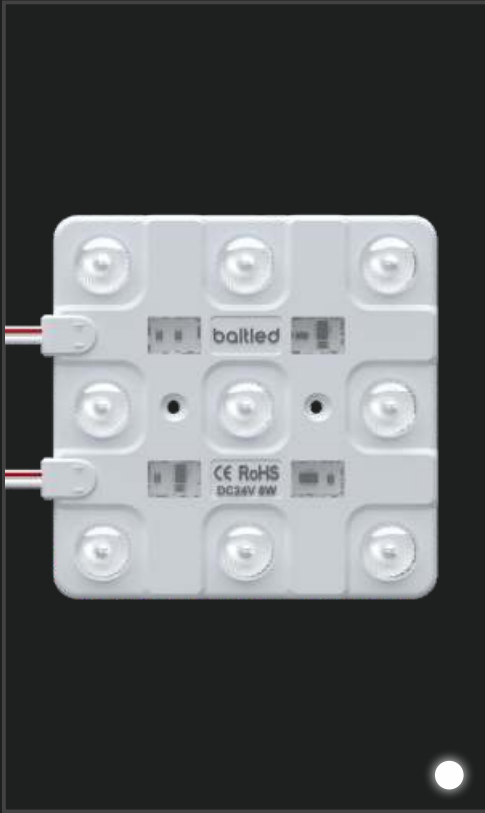


APPLICATION



best at 50 - 200 mm depth

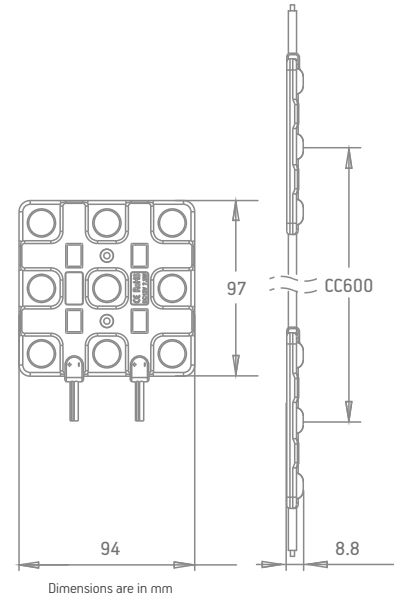
TITAN 9



GENERAL SPECIFICATIONS

SUPPLY VOLTAGE	24 VDC
POWER	8 W
RECOMMENDED DEPTH	From 120 to 300 mm
CC DISTANCE	600 mm
BINNING	5 SDCM
OPERATING TEMPERATURE	-25 °C ~ +55 °C
STORAGE TEMPERATURE	-40 °C ~ +85 °C
STORAGE CONDITIONS	Relative humidity <60%
LIFETIME	L80 75,400 h (white)
CERTIFICATION	CE, UKCA and RoHS compliant
WARRANTY	5 years*

*Warranty is applied only and if storage, mounting and maintenance conditions, stated in the installation guide, are followed.



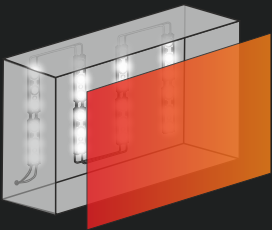
Dimensions are in mm

ORDERING INFORMATION

SKU	POWER, W	LUMEN OUTPUT, LM	COLOUR / CCT
BMP-T9-765E8.0-24	8	1100	6500 K

NOTE: Modules are sold in full bags only, with a minimum order of one bag.

APPLICATION



best at 120 - 300 mm depth

PACKAGING INFORMATION

CHAIN	BAG	BOX
20 pcs	20 pcs	140 pcs

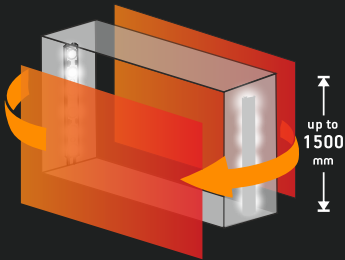
LED MODULES
FOR DOUBLE-SIDED APPLICATIONS



DUO W1



APPLICATION



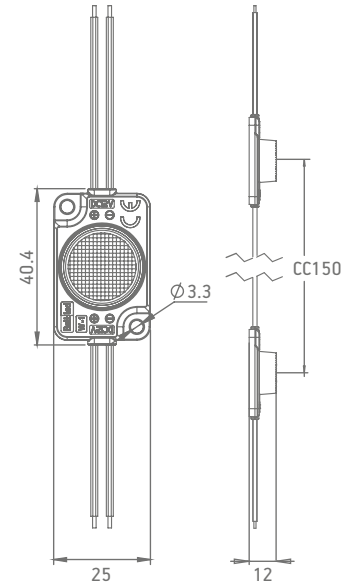
best at 80 - 160 mm depth



GENERAL SPECIFICATIONS

SUPPLY VOLTAGE	12 VDC
POWER	1.4 W
RECOMMENDED DEPTH	From 80 to 160 mm
CC DISTANCE	150 mm
OPERATING TEMPERATURE	-20 °C ~ +50 °C
STORAGE TEMPERATURE	-30 °C ~ +60 °C
STORAGE CONDITIONS	Relative humidity <60%
CERTIFICATION	CE, UKCA and RoHS compliant
LIFETIME	L80 50,000 h
WARRANTY	5 years*

*Warranty is applied only and if storage, mounting and maintenance conditions, stated in the installation guide, are followed.



Dimensions are in mm

ORDERING INFORMATION

SKU	POWER, W	LUMEN OUTPUT, LM	COLOUR / CCT
BMP-W1-DS865E1.4	1.4	130	6500 K
BMP-W1-DS840E1.4	1.4	130	4000 K
BMP-W1-DS830E1.4	1.4	118	3000 K

NOTE: Modules are sold in full bags only, with a minimum order of one bag.

PACKAGING INFORMATION

CHAIN	BAG	BOX
30 pcs	90 pcs	630 pcs

5
YEARS
WARRANTY

mm
75-200

15x55°

RGB

70 lm

1.5 W

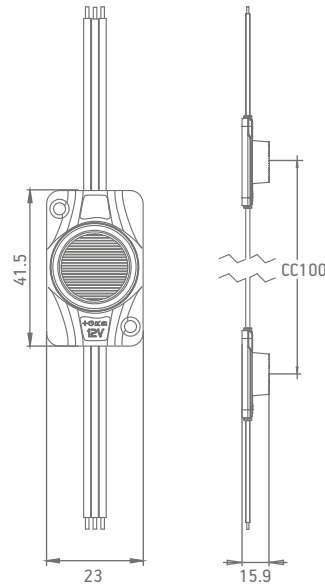
IP 66

L70
54 000 h

GENERAL SPECIFICATIONS

SUPPLY VOLTAGE	12 VDC
POWER	1.5 W
RECOMMENDED DEPTH	From 75 to 200 mm
CC DISTANCE	100 mm
OPERATING TEMPERATURE	-25 °C ~ +60 °C
STORAGE TEMPERATURE	-40 °C ~ +85 °C
STORAGE CONDITIONS	Relative humidity <60%
CERTIFICATION	CE, UKCA and RoHS compliant
LIFETIME	L70 54,000 h
WARRANTY	5 years*

*Warranty is applied only and if storage, mounting and maintenance conditions, stated in the installation guide, are followed.



Dimensions are in mm

ORDERING INFORMATION*

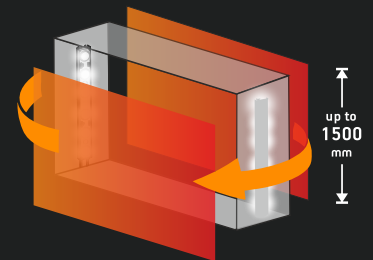
SKU	POWER, W	LUMEN OUTPUT, LM	COLOUR / CCT	WAVE LENGTH red green blue
BMP-W1-DSRGBE1.5	1.5	70	RGB	620~630 520~530 460~470

NOTE: Modules are sold in full bags only, with a minimum order of one bag.

DUO RGB



APPLICATION



best at 75 - 200 mm depth

PACKAGING INFORMATION

CHAIN	BAG	BOX
20 pcs	80 pcs	640 pcs

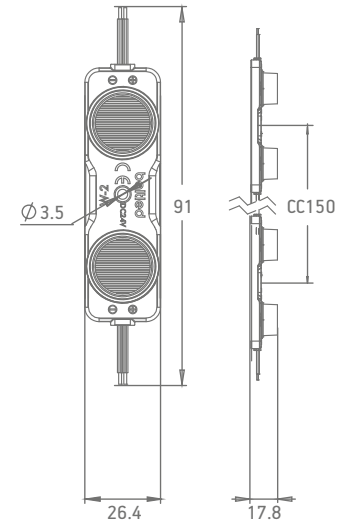
DUO W2



GENERAL SPECIFICATIONS

SUPPLY VOLTAGE	24 VDC
POWER	2.0 W
RECOMMENDED DEPTH	From 140 to 250 mm
CC DISTANCE	150 mm
OPERATING TEMPERATURE	-20 °C ~ +50 °C
STORAGE TEMPERATURE	-30 °C ~ +60 °C
STORAGE CONDITIONS	Relative humidity <60%
CERTIFICATION	CE, UKCA and RoHS compliant
LIFETIME	L80 50,000 h
WARRANTY	5 years*

*Warranty is applied only and if storage, mounting and maintenance conditions, stated in the installation guide, are followed.



Dimensions are in mm

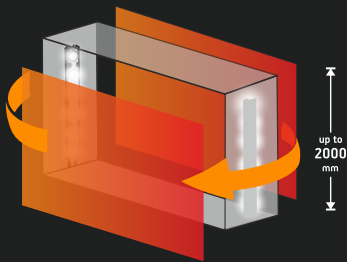
ORDERING INFORMATION*

SKU	POWER, W	LUMEN OUTPUT, LM	COLOUR / CCT
BMP-W2-DS765E2	2.0	250	6500 K

NOTE: Modules are sold in full bags only, with a minimum order of one bag.

*Expected to be in stock starting Q1 2025.

APPLICATION



best at 140 - 250 mm depth

PACKAGING INFORMATION

CHAIN	BAG	BOX
40 pcs	40 pcs	200 pcs

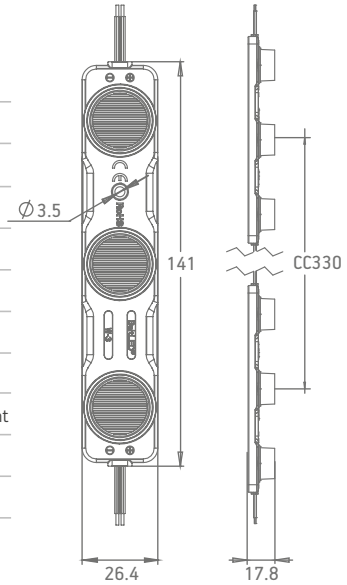
DUO W3



GENERAL SPECIFICATIONS

SUPPLY VOLTAGE	24 VDC
POWER	3.6 W
RECOMMENDED DEPTH	From 140 to 250 mm
CC DISTANCE	330 mm
OPERATING TEMPERATURE	-20 °C ~ +50 °C
STORAGE TEMPERATURE	-30 °C ~ +60 °C
STORAGE CONDITIONS	Relative humidity <60%
CERTIFICATION	CE, UKCA, RoHS and UL compliant
LIFETIME	L80 50,000 h
WARRANTY	5 years*

*Warranty is applied only and if storage, mounting and maintenance conditions, stated in the installation guide, are followed.



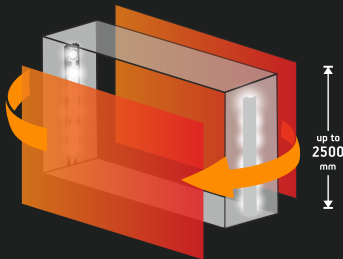
Dimensions are in mm

ORDERING INFORMATION

SKU	POWER, W	LUMEN OUTPUT, LM	COLOUR / CCT
BMP-W3-DS865E3.6	3.6	300	6500 K

NOTE: Modules are sold in full bags only, with a minimum order of one bag.

APPLICATION



best at 140 - 250 mm depth

PACKAGING INFORMATION

CHAIN	BAG	BOX
10 pcs	20 pcs	160 pcs

LED BARS FOR LIGHTBOXES

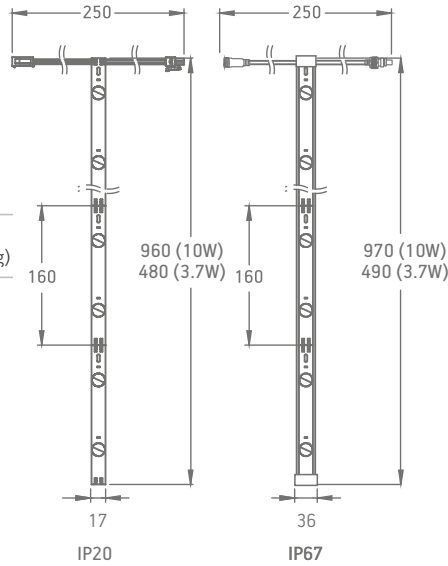




GENERAL SPECIFICATIONS

SUPPLY VOLTAGE	24 VDC
POWER	10 W 3.7 W
RECOMMENDED DEPTH	from 50 to 80 mm
CUTTING STEP	160 mm (IP67: cutting requires proper end-cap sealing)
OPERATING TEMPERATURE	-30 °C ~ +50 °C
STORAGE TEMPERATURE	+5 °C ~ +70 °C
STORAGE CONDITIONS	Relative humidity <60%
LIFETIME	L80 50,000 h
CERTIFICATION	UKCA, CE and RoHS compliant
WARRANTY	5 years*

*Warranty is applied only and if storage, mounting and maintenance conditions, stated in the installation guide, are followed.



Dimensions are in mm

ORDERING INFORMATION

SKU	IP CLASS	POWER, W	LUMEN OUTPUT, LM	COLOUR
BLBP-1000A170865110-HE	IP20	10.0	1506	6500 K
BLBP-1000A170840110-HE	IP20	10.0	1506	4000 K
BLBP-1000A170865E10-HE	IP67	10.0	1506	6500 K
BLBP-500A17086513-HE	IP20	3.7	583	6500 K
BLBP-500A170865E3-HE	IP67	3.7	583	6500 K
BLBP-DKIT-2-IP67	Additional connector kit for IP67 bar			

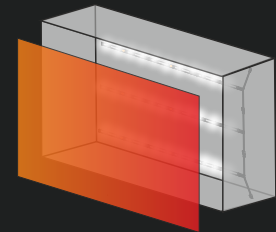
PACKAGING INFORMATION

	PCS. per BOX	WEIGHT per BOX, KG
10 W	200	13.5
3.7 W	400	14.0

BACKLIT HE BAR

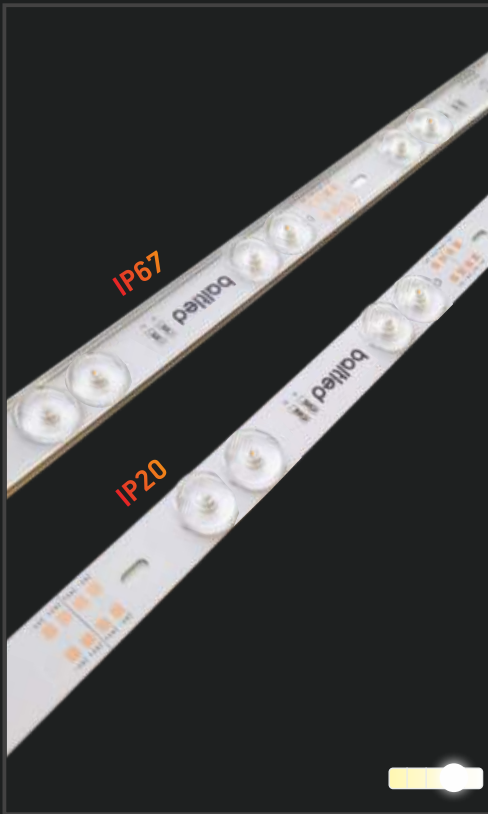


APPLICATION

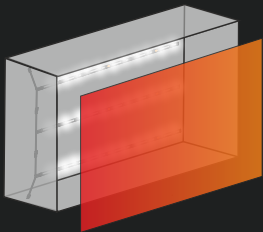


best at 50 - 80 mm depth

BACKLIT TW BAR



APPLICATION



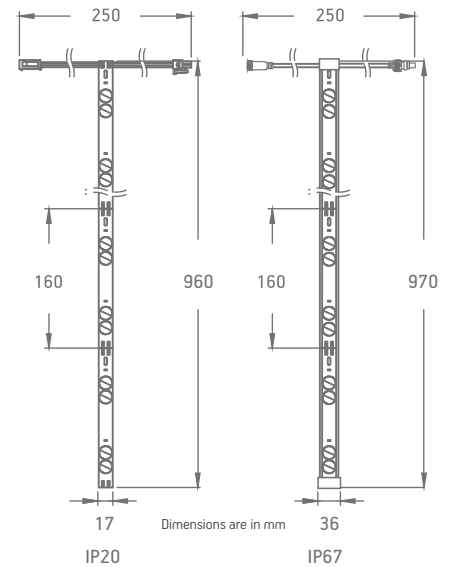
best at 50 - 80 mm depth



GENERAL SPECIFICATIONS

SUPPLY VOLTAGE	24 VDC
POWER	20 W
RECOMMENDED DEPTH	From 50 to 80 mm
CUTTING STEP	160 mm (IP67: cutting requires proper end-cap sealing)
OPERATING TEMPERATURE	-30 °C ~ +50 °C
STORAGE TEMPERATURE	+5 °C ~ +70 °C
STORAGE CONDITIONS	Relative humidity <60%
LIFETIME	L80 50,000 h
CERTIFICATION	UKCA, CE and RoHS compliant
WARRANTY	5 years*

*Warranty is applied only and if storage, mounting and maintenance conditions, stated in the installation guide, are followed.



ORDERING INFORMATION

SKU	IP CLASS	POWER, W	LUMEN OUTPUT, LM	COLOUR
BLBP-1000A1708TWI20-HE	IP20	20.0	1656-1780	2700K - 6500 K
BLBP-1000A1708TWE20-HE	IP67	20.0	1656-1780	2700K - 6500 K
BLBP-DKIT-3-IP20	additional connector kit for BLBP-1000A1708TWI20-HE			
BLBP-DKIT-3-IP67	additional connector kit for BLBP-1000A1708TWE20-HE			

PACKAGING INFORMATION

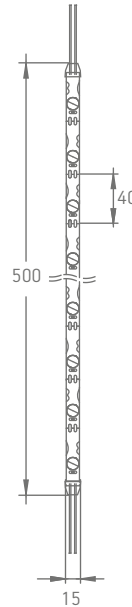
PCS. per BOX	WEIGHT per BOX, KG
200	13.5



GENERAL SPECIFICATIONS

SUPPLY VOLTAGE	24 VDC
POWER	12 W/M
RECOMMENDED DEPTH	from 50 to 80 mm
OPERATING TEMPERATURE	-30 °C ~ +50 °C
STORAGE TEMPERATURE	+5 °C ~ +70 °C
STORAGE CONDITIONS	Relative humidity <60%
LIFETIME	L80 50,000 h
CERTIFICATION	UKCA, CE and RoHS compliant
WARRANTY	5 years*

*Warranty is applied only and if storage, mounting and maintenance conditions, stated in the installation guide, are followed.



Dimensions are in mm

ORDERING INFORMATION

SKU	POWER, W PER METER	LUMEN OUTPUT, LM	DIMENSIONS LxWxH, MM
BLBP-S-LE24865112	12.0	1568	5000x15x5.5

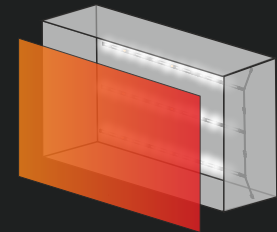
PACKAGING INFORMATION

METERS per REEL	REELS per BOX	WEIGHT per BOX, KG
5	40	6

BACKLIT FLEX^{BAR}

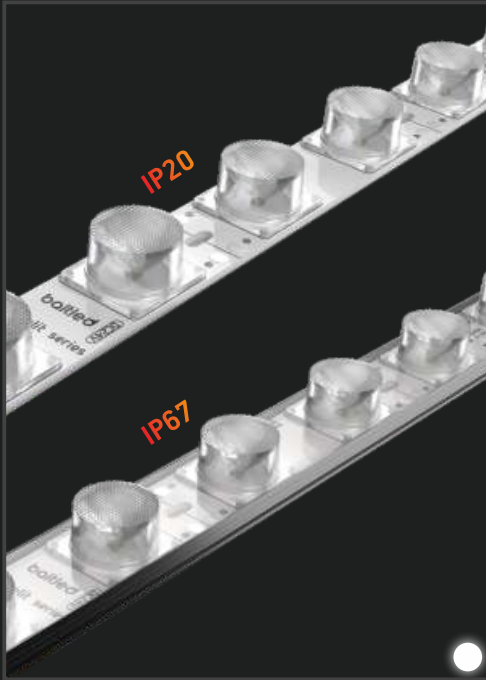


APPLICATION



best at 50 - 80 mm depth

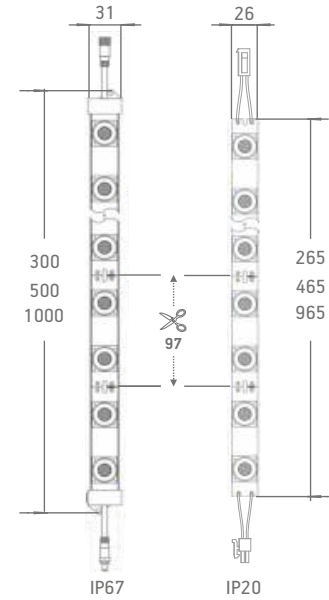
EDGE LIT HE BAR



GENERAL SPECIFICATIONS

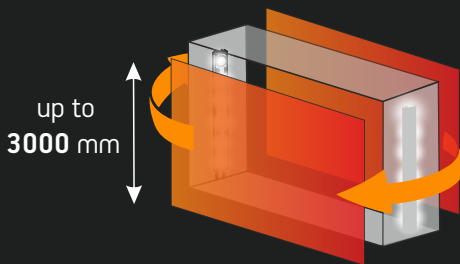
SUPPLY VOLTAGE	24 VDC
POWER	6 W 10 W 20 W
RECOMMENDED DEPTH	From 100 to 250 mm
CUTTING STEP	97 mm (IP67: cutting requires proper end-cap sealing)
OPERATING TEMPERATURE	-30 °C ~ +50 °C
STORAGE TEMPERATURE	+5 °C ~ +70 °C
STORAGE CONDITIONS	Relative humidity <60%
LIFETIME	L70 50,000 h
CERTIFICATION	CE and RoHS compliant
WARRANTY	5 years*

*Warranty is applied only and if storage, mounting and maintenance conditions, stated in the installation guide, are followed.



Dimensions are in mm

APPLICATION



best at 100 - 250 mm depth

ORDERING INFORMATION

SKU	IP CLASS	POWER, W	LUMEN OUTPUT, LM	COLOUR
BLBP-300A15x4565E6-HE	IP67	6.0	900	6500 K
BLBP-500A15x4565E10-HE	IP67	10.0	1500	6500 K
BLBP-1000A15x4565E20-HE	IP67	20.0	3000	6500 K
BLBP-265A15x4565I6-HE	IP20	6.0	900	6500 K
BLBP-465A15x4565I10-HE	IP20	10.0	1500	6500 K
BLBP-965A15x4565I20-HE	IP20	20.0	3000	6500 K
BLBP-EKIT-2-IP20	Additional connector kit			
BLBP-EKIT-2-IP67	Additional connector kit			

PACKAGING INFORMATION

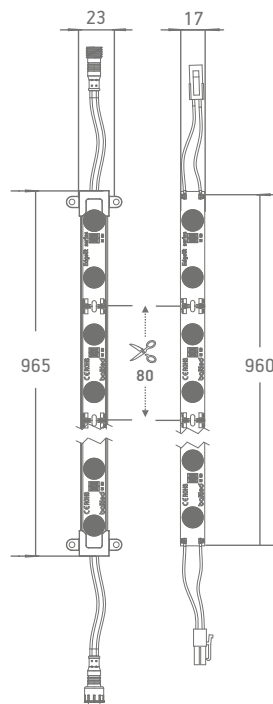
POWER	QTY/BOX
6 W	120 pcs
10 W	80 pcs
20 W	40 pcs



GENERAL SPECIFICATIONS

SUPPLY VOLTAGE	24 VDC
POWER	18 W
RECOMMENDED DEPTH	From 80 to 250 mm
CUTTING STEP	80 mm (IP67: cutting requires proper end-cap sealing)
OPERATING TEMPERATURE	-30 °C ~ +50 °C
STORAGE TEMPERATURE	+5 °C ~ +70 °C
STORAGE CONDITIONS	Relative humidity <60%
LIFETIME	L70 54,000 h
CERTIFICATION	CE, RoHS and UKCA compliant
WARRANTY	5 years*

*Warranty is applied only and if storage, mounting and maintenance conditions, stated in the installation guide, are followed.



IP67 IP20

Dimensions are in mm

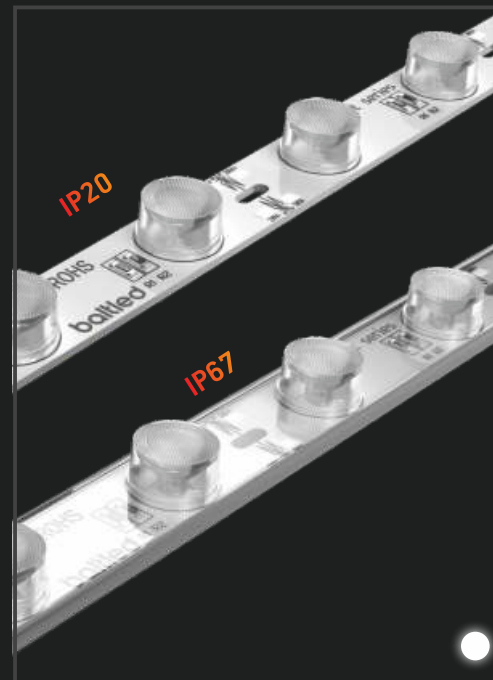
ORDERING INFORMATION

SKU	IP CLASS	POWER, W	LUMEN OUTPUT, LM	COLOUR
BLBP-1000A10x4565E18-LT	IP67	18.0	2448	6500 K
BLBP-1000A10x4565I18-LT	IP20	18.0	2448	6500 K
BLBP-LTKIT-2-IP67	Edgelit Lite accessory connector cable (200mm 20AWG 2pin DC connector IP67)			
BLBP-265A15x4565I6-HE	Edgelit Lite accessory connector cable (200mm 20AWG 2pin DC connector IP20)			

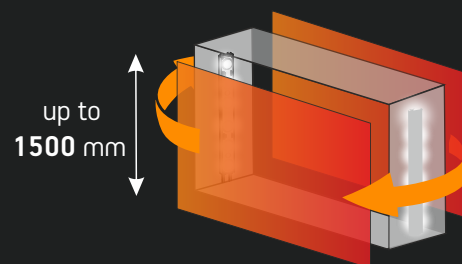
PACKAGING INFORMATION

SKU	QTY/BOX
BLBP-1000A10x4565E18-LT	40 pcs
BLBP-1000A10x4565I18-LT	40 pcs

EDGELIT LITE BAR



APPLICATION

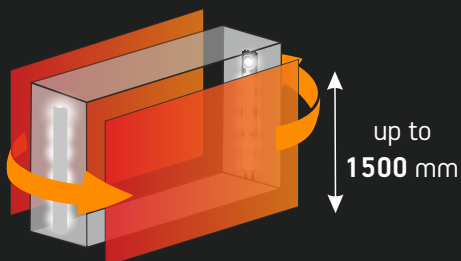


best at 80 - 150 mm depth

EDGELIT SLIM BAR



APPLICATION



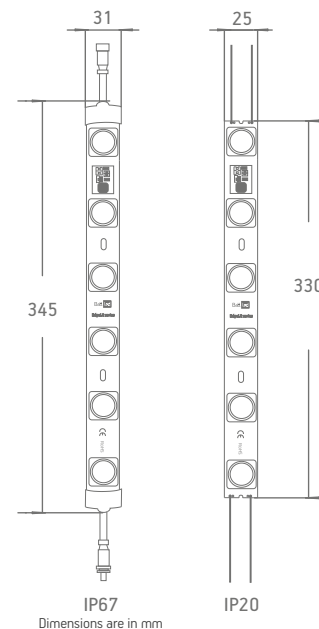
best at 40 - 80 mm depth



GENERAL SPECIFICATIONS

SUPPLY VOLTAGE	24 VDC
POWER	12.2 W
RECOMMENDED DEPTH	From 40 to 80 mm
OPERATING TEMPERATURE	-30 °C ~ +50 °C
STORAGE TEMPERATURE	+5 °C ~ +70 °C
STORAGE CONDITIONS	Relative humidity <60%
LIFETIME	L70 50,000 h
CERTIFICATION	CE and RoHS compliant
WARRANTY	5 years*

*Warranty is applied only and if storage, mounting and maintenance conditions, stated in the installation guide, are followed.



Dimensions are in mm

ORDERING INFORMATION

SKU	IP CLASS	POWER, W	LUMEN OUTPUT, LM	COLOUR
BLBP-340A10x3065E12	IP67	12.2	1500	6500 K
BLBP-340A10x3065I12	IP20	12.2	1500	6500 K
BLBP-CKIT	Additional connector kit			

* For precise lead time, contact your Customer Service manager.

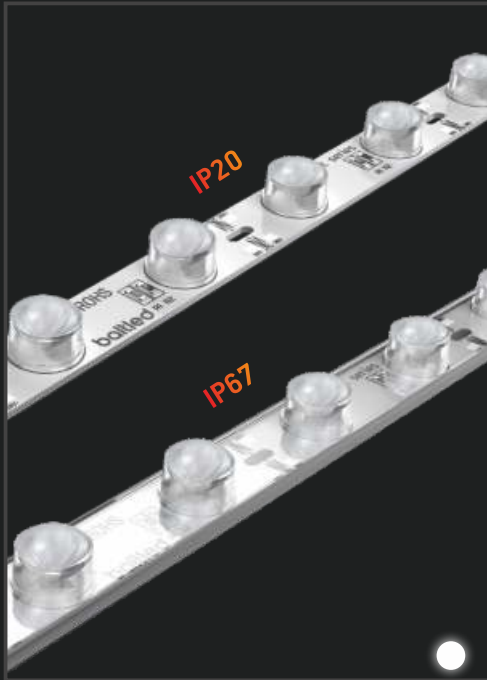
PACKAGING INFORMATION

SKU	WEIGHT	QTY/BOX	WEIGHT/BOX
BLBP-340A10x3065E12	0.165 kg	40 pcs	44.7 kg
BLBP-340A10x3065I12	0.0745 kg	80 pcs	20.55 kg

**WALLWASHERS FOR ACCENT AND
ARCHITECTURAL LIGHTING**



CLASSIC WALLWASHER



APPLICATION



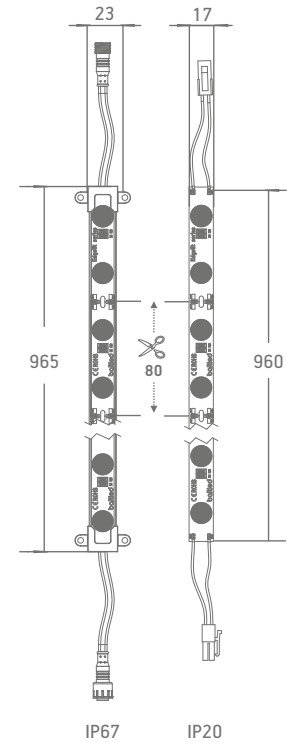
- Signage and branding
- Architectural lighting
- Interior design
- Landscape and outdoor lighting
- Stage and event lighting



GENERAL SPECIFICATIONS

SUPPLY VOLTAGE	24 VDC
POWER	18 W
CRI	80
OPERATING TEMPERATURE	-30 °C ~ +50 °C
STORAGE TEMPERATURE	+5 °C ~ +70 °C
CUTTING STEP	80 mm (IP67: cutting requires proper end-cap sealing)
STORAGE CONDITIONS	Relative humidity <60%
IP CLASS	IP20 IP67
CERTIFICATION	CE, RoHS and UKCA compliant
WARRANTY	5 years*

*Warranty is applied only and if storage, mounting and maintenance conditions, stated in the installation guide, are followed.



Dimensions are in mm

ORDERING INFORMATION

SKU	IP CLASS	POWER, W	LUMEN OUTPUT, LM	COLOUR	DIMENSIONS, MM
BLBP-1000A3565E18-LT	IP67	18	2542	6500 K	965x23x10
BLBP-1000A3565I18-LT	IP20	12.2	1500	6500 K	960x17x9
BLBP-LTKIT-2-IP67	Wallwasher accessory connector cable for outdoor (IP67) wallwasher				
BLBP-LTKIT-2-IP20	Wallwasher accessory connector cable for indoor (IP20) wallwasher				

PACKAGING INFORMATION

QTY/BOX
40 pcs

5
YEARS
WARRANTY

38°

6500 K

2620 lm

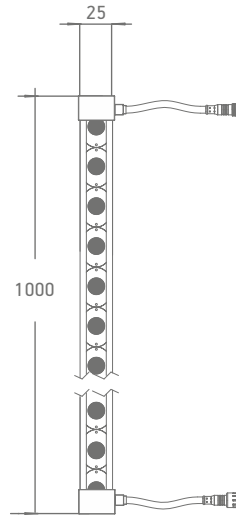
24 W

IP 67

GENERAL SPECIFICATIONS

SUPPLY VOLTAGE	24 VDC
POWER	24 W
CRI	80
LEDs	30
STORAGE TEMPERATURE	+5 °C ~ +70 °C
OPERATING TEMPERATURE	+5 °C ~ +70 °C
STORAGE CONDITIONS	Relative humidity <60%
CERTIFICATION	CE, RoHS and UKCA compliant
IP CLASS	IP67
WARRANTY	5 years*

*Warranty is applied only and if storage, mounting and maintenance conditions, stated in the installation guide, are followed.



Dimensions are in mm

ORDERING INFORMATION

SKU	POWER, W	LUMEN OUTPUT, LM	COLOUR	DIMENSIONS, MM
BLBP-3D-1000A3865E24	24.0	2620	6500 K	1000x25x20

*Mounting clips (2 pcs.) are included

PACKAGING INFORMATION

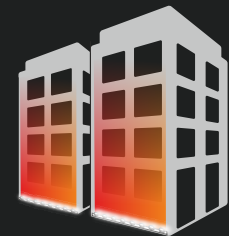
QTY/BOX

40 pcs

3D WALLWASHER



APPLICATION



- Signage and branding
- Architectural lighting
- Interior design
- Landscape and outdoor lighting
- Stage and event lighting

FLEX WALLWASHER



APPLICATION



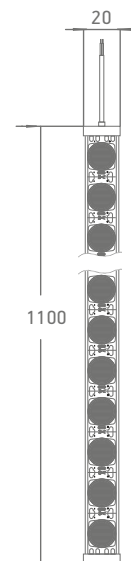
- Signage and branding
- Architectural lighting
- Interior design
- Landscape and outdoor lighting
- Stage and event lighting



GENERAL SPECIFICATIONS

SUPPLY VOLTAGE	24 VDC
POWER	20 W
CRI	80
OPERATING TEMPERATURE	-30 °C ~ +50 °C
STORAGE TEMPERATURE	+5 °C ~ +70 °C
STORAGE CONDITIONS	Relative humidity <60%
IP CLASS	Ip67
CERTIFICATION	CE, RoHS and UKCA compliant
WARRANTY	5 years*

*Warranty is applied only and if storage, mounting and maintenance conditions, stated in the installation guide, are followed.



Dimensions are in mm

ORDERING INFORMATION

SKU	POWER, W	LUMEN OUTPUT, LM	COLOUR	DIMENSIONS, MM
BLBP-FL-1000A3565E20	20	2450	6500 K	1100x20x10

*Mounting clips (2 pcs.) are included

PACKAGING INFORMATION

QTY/BOX

40 pcs

SOLUTIONS FOR ACCENT LIGHTING
AND OTHER APPLICATIONS



LINELIT



APPLICATION

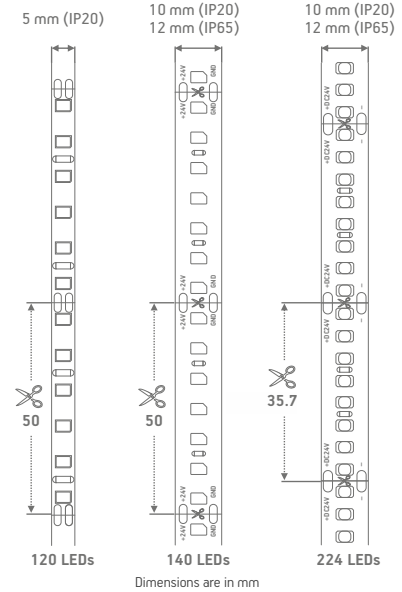
- Aluminium profiles
- Side lighting
- Signs
- General lighting
- Office lighting



GENERAL SPECIFICATIONS

SUPPLY VOLTAGE	24 VDC
POWER	9.6 W 20 W 22.4 W
CRI	80
LEDs PER METER	120 140 224
CUTTING STEP	50 mm 35.7 mm
BINNING	3 SDCM (3000 K 4000 K) 5 SDCM (6500 K)
OPERATING TEMPERATURE	-20 °C ~ +40 °C
STORAGE TEMPERATURE	-20 °C ~ +45 °C
LIFETIME	L70 50,000 h
CERTIFICATION	CE, RoHS and UKCA compliant
WARRANTY	3 years*

*Warranty is applied only and if storage, mounting and maintenance conditions, stated in the installation guide, are followed.



ORDERING INFORMATION

SKU (order as * = I/E)	LEDs per METER	CUTTING STEP, mm	POWER per METER, W	COLOUR	LUMEN OUTPUT, LM indoor outdoor
BLSP-LE120865I9.6	120	50	9.6	6500 K	864
BLSP-LE140865*20	140	50	20	6500 K	2250 2000
BLSP-LE140840*20				4000 K	2250 1991
BLSP-LE140830*20				3000 K	2100 1858
BLSP-LE224865*22.4	224	35.7	22.4	6500 K	2688 2378
BLSP-LE224840*22.4				4000 K	2688 2378
BLSP-LE224830*22.4				3000 K	2464 2180

ORDERING: replace "*" with "I" for Indoor (IP20) version, example order BLSP-LE128865I9.6
replace "*" with "E" for Outdoor (IP65) version, example order BLSP-LE128865E9.6

PACKAGING INFORMATION

SKU	METERS per REEL	REELS per BOX	LENGTH per BOX, m
IP20	5	50	250
IP65	5	20	100



GENERAL SPECIFICATIONS

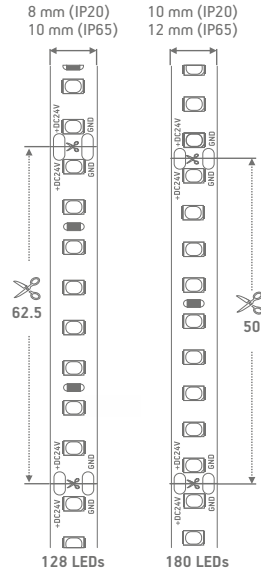
SUPPLY VOLTAGE	24 VDC
POWER	9.6 W and 14.4 W 8 W
CRI	80
LEDs PER METER	128 180
CUTTING STEP	62.5 mm 50 mm
BINNING	3 SDCM (3000 K 4000 K) 5 SDCM (6500 K)
OPERATING TEMPERATURE	-20 °C ~ +40 °C
STORAGE TEMPERATURE	-20 °C ~ +45 °C
LIFETIME	L70 50,000 h
CERTIFICATION	CE, RoHS and UKCA compliant
WARRANTY	3 years*

*Warranty is applied only and if storage, mounting and maintenance conditions, stated in the installation guide, are followed.



128 LEDs

180 LEDs



Dimensions are in mm

ORDERING INFORMATION

SKU (order as * = I/E)	LEDs per METER	CUTTING STEP, mm	POWER per METER, W	COLOUR	LUMEN OUTPUT, LM indoor outdoor	
BLSP-LE128865*9.6	128	62.5	9.6	6500 K	1536 1359	
BLSP-LE128840*9.6				4000 K	1536 1359	
BLSP-LE128830*9.6				3000 K	1488 1316	
BLSP-LE128865*14.4			14.4	62.5	6500 K	2448 2166
BLSP-LE128840*14.4					4000 K	2520 2230
BLSP-LE128830*14.4					3000 K	2376 2102
BLSP-LE180865*8	180	50	8	6500 K	1600 1415	
BLSP-LE180840*8				4000 K	1600 1415	
BLSP-LE180830*8				3000 K	1440 1274	

ORDERING: replace "*" with "I" for Indoor (IP20) version, example order BLSP-LE128865I9.6
replace "*" with "E" for Outdoor (IP65) version, example order BLSP-LE128865E9.6

PACKAGING INFORMATION

SKU	METERS per REEL	REELS per BOX	LENGTH per BOX, m
IP20	5	50	250
IP65	5	20	100

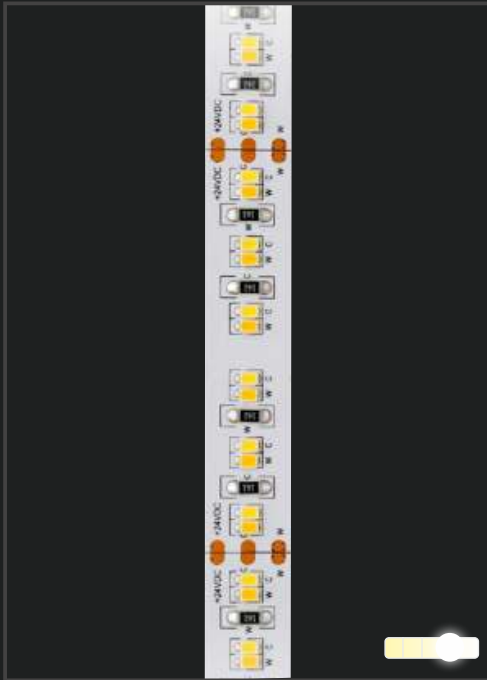
LINELIT HE



APPLICATION

- Aluminium profiles
- Advertisement boxes
- Signs
- General lighting
- Automotive accents
- Accent decor

LINELIT TW



APPLICATION

- Aluminium profiles
- Side lighting
- Signs
- General lighting
- Office lighting



GENERAL SPECIFICATIONS

SUPPLY VOLTAGE	24 VDC
POWER	16 W 19.2 W 9.5 W
CRI	80 90
LEDs PER METER	120 240
CUTTING STEP	50 mm
COLOUR / CCT	2000 K - 4000 K 2700 - 6500K
OPERATING TEMPERATURE	-20 °C ~ +40 °C
STORAGE TEMPERATURE	-20 °C ~ +45 °C
LIFETIME	L70 50,000 h
CERTIFICATION	CE, RoHS and UKCA compliant
WARRANTY	3 years*

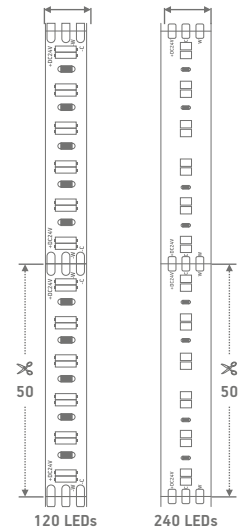
*Warranty is applied only and if storage, mounting and maintenance conditions, stated in the installation guide, are followed.



120 LEDs

240 LEDs

8 mm (IP20)
10 mm (IP65)



Dimensions are in mm

ORDERING INFORMATION

SKU (order as * = I/E)	LEDs per METER	CUTTING STEP, mm	POWER per METER, W	COLOUR	LUMEN OUTPUT, LM indoor outdoor
BLSP-LE120865*16-TW	120	50	8+8	2700 - 6500K	800-880 696-765
BLSP-LE240965*19-TW	240	50	19.2	2700 - 6500K	768 679
BLSP-LE240940I25-TW			12.5+12.5	2000 - 4000K	750

ORDERING: replace *** with "I" for Indoor (IP20) version, example order BLSP-LE128865I9.6

replace *** with "E" for Outdoor (IP65) version, example order BLSP-LE128865E9.6

PACKAGING INFORMATION

SKU	METERS per REEL	REELS per BOX	LENGTH per BOX, m
IP20	5	50	250
IP65	5	20	100

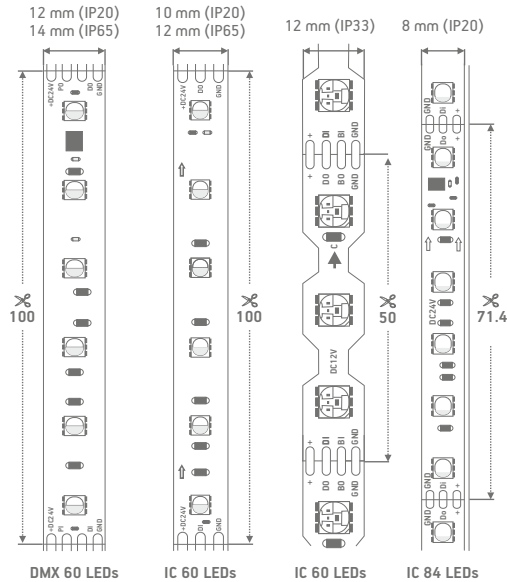
3
YEARS
WARRANTY



GENERAL SPECIFICATIONS

SUPPLY VOLTAGE	24 VDC 12 VDC
POWER	19.2 W (DMX) 9 W 16 W 16.3 W (IC)
CRI	80
LEDs PER METER	60 (DMX) 60 84 (IC)
CUTTING STEP	100 mm (DMX) 50 71.4 100 mm (IC)
OPERATING TEMPERATURE	-20 °C ~ +40 °C
STORAGE TEMPERATURE	-20 °C ~ +45 °C
LIFETIME	L70 50,000 h
CERTIFICATION	CE, RoHS and UKCA compliant
WARRANTY	3 years*

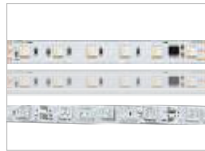
*Warranty is applied only and if storage, mounting and maintenance conditions, stated in the installation guide, are followed.



Dimensions are in mm



DMX 60 LEDs



IC 60 LEDs



IC 84 LEDs

LINELIT DMX | IC



ORDERING INFORMATION

SKU (order as * = I/E)	VOLTAGE	IP CLASS	LEDs per METER	CUTTING STEP, mm	POWER per METER, W	CRI	COLOUR	LUMEN OUTPUT, LM indoor outdoor	CONTROL PROTOCOL
BLSP-LE60RGBCW*19-DMX	24 V	IP20 IP65	60	100	19.2	80	RGBW	459 406	DMX
BLSP-LE60RGBCW*16-IC	24 V	IP20 IP65	60	100	16.3	80	RGBW	420 371	SPI
BLSP-S-LE60RGBI9-12V-IC	12 V	IP33	60	50	9	-	RGB	R-52 G-156 B-42	SPI
BLSP-LE84RGBCW16-IC	24 V	IP20	84	71.4	16	80	RGBW	464	SPI

ORDERING: replace *** with "I" for Indoor (IP20) version, example order BLSP-LE128865I9.6
replace *** with "E" for Outdoor (IP65) version, example order BLSP-LE128865E9.6

PACKAGING INFORMATION

SKU	METERS per REEL	REELS per BOX	LENGTH per BOX, m
DMX IP20	5	35	175
DMX IP65	5	15	75
IC IP20	5	50	250
IC IP33	5	60	300
IC IP65	5	20	10

APPLICATION

- Aluminium profiles
- Advertisement boxes
- Signs
- General lighting
- Automotive accents
- Accent decor

LINELIT RGB



APPLICATION

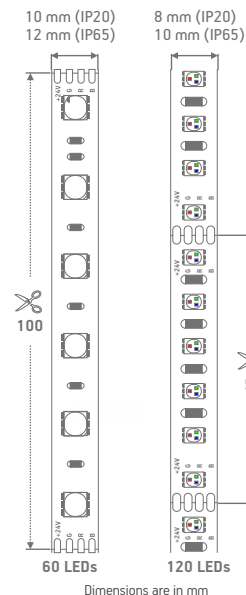
- Aluminium profiles
- Side lighting
- Signs
- General lighting
- Office lighting



GENERAL SPECIFICATIONS

SUPPLY VOLTAGE	24 VDC
POWER	14.4 W
LEDs PER METER	60 120
CUTTING STEP	100 mm 50 mm
OPERATING TEMPERATURE	-20 °C ~ +40 °C
STORAGE TEMPERATURE	-20 °C ~ +45 °C
LIFETIME	L70 50,000 h
CERTIFICATION	CE, RoHS and UKCA compliant
WARRANTY	3 years*

*Warranty is applied only and if storage, mounting and maintenance conditions, stated in the installation guide, are followed.



ORDERING INFORMATION

SKU (order as * = I/E)	LEDs per METER	CUTTING STEP, mm	POWER per METER, W	COLOUR	LUMEN OUTPUT, LM indoor outdoor
BLSP-LE60RGB*14.4	60	100	14.4	RGB	475 420
BLSP-LE120RGB*14.4	120	50	14.4	RGB	500 442

ORDERING: replace *** with 'I' for Indoor (IP20) version, example order BLSP-LE128865I9.6
replace *** with 'E' for Outdoor (IP65) version, example order BLSP-LE128865E9.6

PACKAGING INFORMATION

SKU	METERS per REEL	REELS per BOX	LENGTH per BOX, m
IP20	5	50	250
IP65	5	20	100



GENERAL SPECIFICATIONS

SUPPLY VOLTAGE	24 VDC
POWER	8 W 10 W 15 W
CRI	80 90
LEDs PER METER	320 480 528
BINNING	3 SDCM (3000 K 4000 K) 5 SDCM (6500 K)
OPERATING TEMPERATURE	-20 °C ~ +40 °C
STORAGE TEMPERATURE	-20 °C ~ +45 °C
LIFETIME	L70 50,000 h
CERTIFICATION	CE, RoHS and UKCA compliant
WARRANTY	3 years*

*Warranty is applied only and if storage, mounting and maintenance conditions, stated in the installation guide, are followed.

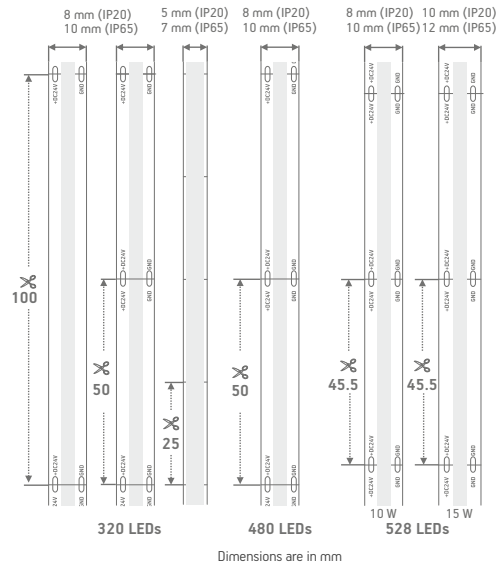
ORDERING INFORMATION

SKU (order as * = //E)	LEDs per METER	CUTTING STEP, mm	POWER per METER, W	CRI	COLOUR	LUMEN OUTPUT, LM					
						indoor	outdoor				
BLS-LE320865*8	320	100	8	80	6500 K	840	743				
BLS-LE320840*8					4000 K	840	743				
BLS-LE320840*8					3000 K	800	707				
BLS-LE320965*8					6500 K	800	707				
BLS-LE320940*8					4000 K	760	672				
BLS-LE320930*8					3000 K	680	601				
BLS-LE32092718	320	50	8	90	2700 K	640	601				
BLS-LE320965*8-S					6500 K	880	778				
BLS-LE320940*8-S					4000 K	840	743				
BLS-LE320930*8-S					3000 K	800	707				
BLS-LE480965*10					480	50	10	90	6500 K	1000	884
BLS-LE480940*10									4000 K	950	840
BLS-LE480930*10	3000 K	850	752								
BLS-LE528865*10	528	45.5	10	80					6500 K	1050	929
BLS-LE528840*10									4000 K	1050	929
BLS-LE528830*10									3000 K	1000	884
BLS-LE528865*15					15	45.5	80	6500 K	1575	1393	
BLS-LE528840*15								4000 K	1575	1393	
BLS-LE528830*15								3000 K	1500	1327	

ORDERING: replace "*" with "I" for Indoor (IP20) version, replace "*" with "E" for Outdoor (IP65) version

PACKAGING INFORMATION

SKU	METERS per REEL	REELS per BOX	LENGTH per BOX, m
IP20 IP65	5 5	50 20	250 100



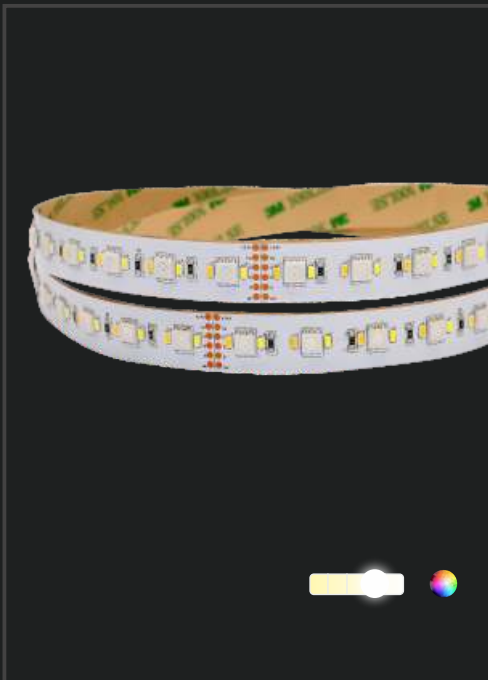
LINELIT COB



APPLICATION

- Aluminium profiles
- Side lighting
- Signs
- General lighting
- Office lighting

LINELIT RGB TW



APPLICATION

- Aluminium profiles
- Advertisement boxes
- Signs
- General lighting
- Automotive accents
- Accent decor



GENERAL SPECIFICATIONS

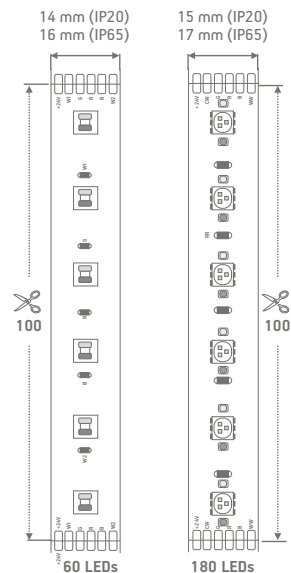
SUPPLY VOLTAGE	24 VDC
POWER	13.6 W 24 W
CRI	80 90
LEDs PER METER	60 180
CUTTING STEP	100 mm
OPERATING TEMPERATURE	-20 °C ~ +40 °C
STORAGE TEMPERATURE	-20 °C ~ +45 °C
LIFETIME	L70 50,000 h
CERTIFICATION	CE, RoHS and UKCA compliant
WARRANTY	3 years*

*Warranty is applied only and if storage, mounting and maintenance conditions, stated in the installation guide, are followed.



60 LEDs

180 LEDs



Dimensions are in mm

ORDERING INFORMATION

SKU (order as * = I/E)	LEDs per METER	CUTTING STEP, mm	POWER per METER, W	COLOUR	LUMEN OUTPUT, LM indoor outdoor
BLSP-LE60RGB*13.6-TW	60	100	13.6	RGB+CCT (5in1)	583 515
BLSP-LE180RGB*24-TW	180	100	24	RGB+CCT	1272 1125

ORDERING: replace "*" with "I" for Indoor (IP20) version, example order BLSP-LE128865I9.6
replace "*" with "E" for Outdoor (IP65) version, example order BLSP-LE128865E9.6

PACKAGING INFORMATION

SKU	METERS per REEL	REELS per BOX	LENGTH per BOX, m
IP20 13.6 W	5	30	150
IP20 24 W	5	25	125
IP20 13.6 W	5	6	30
IP20 24 W	5	6	30



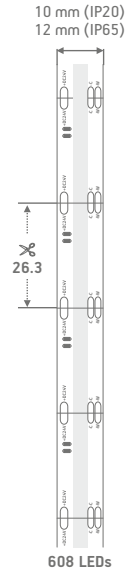
GENERAL SPECIFICATIONS

SUPPLY VOLTAGE	24 VDC
POWER	8 + 8 W
CRI	90
LEDs PER METER	60
CUTTING STEP	26.3 mm
BINNING	2700 – 6500 K
OPERATING TEMPERATURE	-20 °C ~ +40 °C
STORAGE TEMPERATURE	-20 °C ~ +45 °C
LIFETIME	L70 50,000 h
CERTIFICATION	CE, RoHS and UKCA compliant
WARRANTY	3 years*

*Warranty is applied only and if storage, mounting and maintenance conditions, stated in the installation guide, are followed.

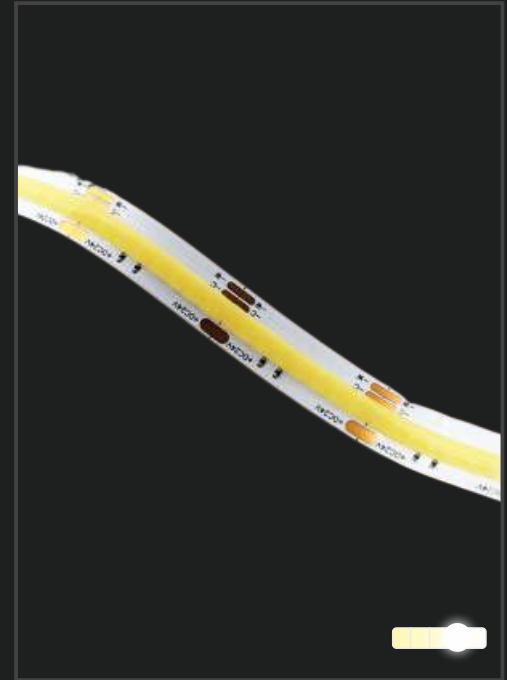


608 LEDs



Dimensions are in mm

LINELIT COB TW



ORDERING INFORMATION

SKU (order as * = I/E)	LEDs per METER	CUTTING STEP, mm	POWER per METER, W	CRI	COLOUR	LUMEN OUTPUT, LM indoor outdoor
BLSP-LE6089TW*16	608	26.3	8+8	90	2700 – 6500 K	640-840 556-730

ORDERING: replace *** with "I" for Indoor (IP20) version, example order BLSP-LE128865I9.6
replace *** with "E" for Outdoor (IP65) version, example order BLSP-LE128865E9.6

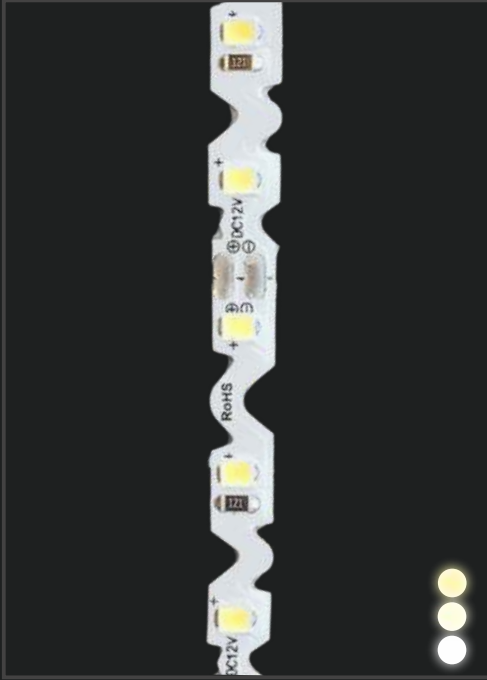
PACKAGING INFORMATION

SKU	METERS per REEL	REELS per BOX	LENGTH per BOX, m
IP20	5	50	250
IP65	5	20	100

APPLICATION

- Aluminium profiles
- Advertisement boxes
- Signs
- General lighting
- Automotive accents
- Accent decor

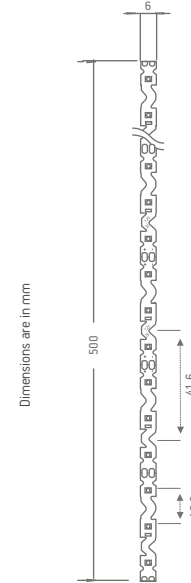
LINELIT ZIGZAG



GENERAL SPECIFICATIONS

SUPPLY VOLTAGE	12 VDC
POWER	7.2 W
LEDs PER METER	72
CUTTING STEP	41.6 mm
OPERATING TEMPERATURE	-20 °C ~ +45 °C
STORAGE TEMPERATURE	+5 °C ~ +70 °C
LIFETIME	L80 60,000 h
CERTIFICATION	CE, RoHS
WARRANTY	5 years*

*Warranty is applied only and if storage, mounting and maintenance conditions, stated in the installation guide, are followed.



ORDERING INFORMATION

SKU	POWER per METER, W	LUMEN OUTPUT, LM	COLOUR
BLSP-ZZ-LE72830I7.2-HE	7.2	915	3000 K
BLSP-ZZ-LE72840I7.2-HE	7.2	966	4000 K
BLSP-ZZ-LE72865I7.2-HE	7.2	954	6500 K

APPLICATION

- Aluminium profiles
- Advertisement boxes
- Signs
- General lighting
- Automotive accents
- Accent decor

PACKAGING INFORMATION

METERS per REEL	REELS per BOX	LENGTH per BOX, m	WEIGHT per BOX, kg
5	50	250	5

**SOLUTIONS FOR STREET FURNITURE
LIGHTING**



RETROFIT TUBE

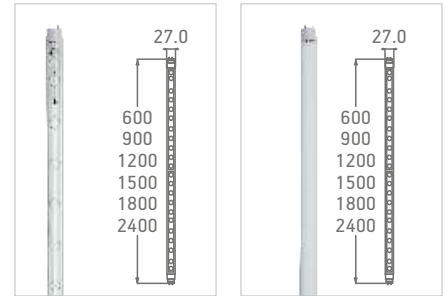


GENERAL SPECIFICATIONS

SUPPLY VOLTAGE	220 VAC 24 VDC
POWER FACTOR	> 0.90
EFFICIENCY	138 lm/W - 148 lm/W
CCT	6500 ± 250 K 4000 ± 250 K
CRI	80
BEAM ANGLE	2 x 160° 2 x 180°
IP CLASS	IP67
RECOMMENDED DEPTH	From 140 to 400 mm
OPERATING TEMPERATURE	-20 °C ~ +40 °C
STORAGE TEMPERATURE	-40 °C ~ +80 °C
STORAGE CONDITIONS	Relative humidity <60%
LIFETIME	L70 50,000 h
MOUNTING OPTIONS	G13 socket double plug, top two sides plug
CERTIFICATION	CE and RoHS compliant
WARRANTY	5 years*

*Warranty is applied only and if storage, mounting and maintenance conditions, stated in the installation guide, are followed.

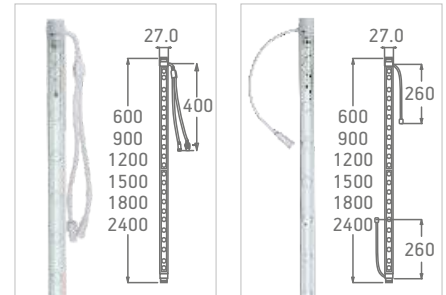
DIRECT CONNECTION



G13 socket | CLEAR COVER

G13 socket | MILKY COVER

INDIRECT CONNECTION | end cap needed



Top double plug, top | CLEAR COVER

Two sides plug | CLEAR COVER

APPLICATION

- Street furniture applications
- T8 replacement
- Outdoor conditions
- Recommended depth 140 – 400 mm

PACKAGING

TUBE LENGTH	QTY/BOX
600 mm (0.252 kg)	25 pcs (6.3 kg)
900 mm (0.380 kg)	25 pcs (9.5 kg)
1200 mm (0.480 kg)	25 pcs (12.0 kg)
1500 mm (0.572 kg)	25 pcs (14.3 kg)
1800 mm (0.720 kg)	25 pcs (18.0 kg)
2400 mm (0.940 kg)	25 pcs (24.0 kg)

ORDERING INFORMATION

RETROFIT TUBES

SKU	LENGTH, MM	CCT	COVER TYPE	CONNECTOR	VOLTAGE	POWER	LUMEN OUTPUT, LM
BTBP-T8C-060A320865E10-DP24V	600	6500 K	clear	double plug, top	24 V	10 W	1430
BTBP-T8C-060A320865E10-DP	600	6500 K	clear	double plug, top	220 V	10 W	1480
BTBP-T8C-060A320865E10-TSP24V	600	6500 K	clear	two sides plug	24 V	10 W	1430
BTBP-T8C-060A320865E10-TSP	600	6500 K	clear	two sides plug	220 V	10 W	1480
BTBP-T8C-060A320865E10-G13	600	6500 K	clear	G13	220 V	10 W	1480
BTBP-T8M-060A360840E10-G13	600	4000 K	milky	G13	220 V	10 W	1380
BTBP-T8C-090A320865E12-DP24V	900	6500 K	clear	double plug, top	24 V	12 W	1716
BTBP-T8C-090A320865E12-DP	900	6500 K	clear	double plug, top	220 V	12 W	1776
BTBP-T8C-090A320865E12-TSP24V	900	6500 K	clear	two sides plug	24 V	12 W	1716
BTBP-T8C-090A320865E12-TSP	900	6500 K	clear	two sides plug	220 V	12 W	1776
BTBP-T8C-090A320865E12-G13	900	6500 K	clear	G13	220 V	12 W	1776
BTBP-T8M-090A360840E14-G13	900	4000 K	milky	G13	220 V	14 W	1932

ORDERING INFORMATION

RETROFIT TUBES

SKU	LENGTH, MM	CCT	COVER TYPE	CONNECTOR	VOLTAGE	POWER	LUMEN OUTPUT, LM
BTBP-T8C-120A320865E18-DP24V	1200	6500 K	clear	double plug, top	24 V	18 W	2574
BTBP-T8C-120A3208650E18-DP	1200	6500 K	clear	double plug, top	220 V	18 W	2664
BTBP-T8C-120A320865E18-TSP24V	1200	6500 K	clear	two sides plug	24 V	18 W	2574
BTBP-T8C-120A320865E18-TSP	1200	6500 K	clear	two sides plug	220 V	18 W	2664
BTBP-T8C-120A320865E18-G13	1200	6500 K	clear	G13	220 V	18 W	2664
BTBP-T8M-120A360840E20-G13	1200	4000 K	milky	G13	220 V	20 W	2766
BTBP-T8C-150A320865E20-DP24V	1500	6500 K	clear	double plug, top	24 V	20 W	2866
BTBP-T8C-150A320865E20-DP	1500	6500 K	clear	double plug, top	220 V	20 W	2960
BTBP-T8C-150A320865E20-TSP24V	1500	6500 K	clear	two sides plug	24 V	20 W	2866
BTBP-T8C-150A320865E20-TSP	1500	6500 K	clear	two sides plug	220 V	20 W	2960
BTBP-T8C-150A320865E20-G13	1500	6500 K	clear	G13	220 V	20 W	2960
BTBP-T8M-150A360840E22-G13	1500	4000 K	milky	G13	220 V	22 W	3036
BTBP-T8C-180A320865E28-DP24V	1800	6500 K	clear	double plug, top	24 V	28 W	4004
BTBP-T8C-180A320865E30-DP	1800	6500 K	clear	double plug, top	220 V	30 W	4440
BTBP-T8C-180A320865E28-TSP24V	1800	6500 K	clear	two sides plug	24 V	28 W	4004
BTBP-T8C-180A320865E30-TSP	1800	6500 K	clear	two sides plug	220 V	30 W	4440
BTBP-T8C-180A320865E28-G13	1800	6500 K	clear	G13	220 V	28 W	4144
BTBP-T8M-180A360840E32-G13	1800	4000 K	milky	G13	220 V	32 W	4416
BTBP-T8C-240A320865E40-DP24V	2400	6500 K	clear	double plug, top	24 V	40 W	5720
BTBP-T8C-240A320865E40-DP	2400	6500 K	clear	double plug, top	220 V	40 W	5920
BTBP-T8C-240A320865E40-TSP24V	2400	6500 K	clear	two sides plug	24 V	40 W	5720
BTBP-T8C-240A320865E40-TSP	2400	6500 K	clear	two sides plug	220 V	40 W	5920
BTBP-T8C-240A320865E40-G13	2400	6500 K	clear	G13	220 V	40 W	5920
BTBP-T8M-240A360840E42-G13	2400	4000 K	milky	G13	220 V	40 W	5796

ACCESSORIES

SKU	DESCRIPTION
BTB-RTF-AKIT	Nozzle
BTB-RTF-BKIT	End cap
BTB-RTF-CKIT	AC cable
BTB-RTF-DKIT	DC cable



NOZZLE



END CAP



AC / DC CABLE

ACCESSORY KIT

SKU	NOZZLES	END CAPS	FEMALE EXTENSION CABLE	CABLE TYPE LENGTH, MM
BTB-RTF-AKIT	1 pc	10 pcs	1 pc	AC 500
BTB-RTF-BKIT	2 pcs	25 pcs	2 pcs	AC 500
BTB-RTF-CKIT	2 pcs	25 pcs	2 pcs	DC 500
BTB-RTF-DKIT	1 pc	10 pcs	1 pc	DC 800
BTB-RTF-EKIT	1 pc	10 pcs	1 pc	AC 800

SIGNBRIDGE PRO
DURABLE OUTDOOR METAL POWER SUPPLIES





GENERAL SPECIFICATIONS

EFFICIENCY	12 V 91% (230 VAC)
START/RISE TIME	<1000mS (230 VAC)
OPERATING CONDITIONS	-40°C ~ +70°C; 20 ~ 95% humidity
STORAGE CONDITIONS	-40 °C ~ +80 °C; 10 ~ 95% humidity
IP CLASS	IP 67
PROTECTIONS INCLUDED	Overload Short circuit
WARRANTY	7 years

INPUT

INPUT VOLTAGE RANGE	220 - 240 VAC, (50 - 60 Hz)
MAX INPUT AC CURRENT	1.1 A Max
MAX INRUSH CURRENT	≤65 A
POWER FACTOR	>0.95 (230 VAC)

OUTPUT

VOLTAGE CURRENT	12 V 12.5 A
MAX OUTPUT POWER	150 W

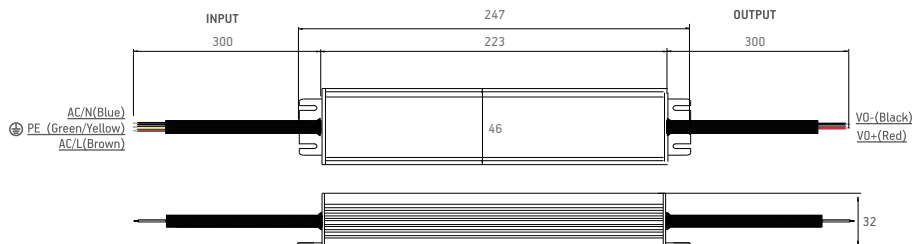
QUANTITY OF DRIVERS PER CIRCUIT BREAKER

CIRCUIT BREAKER OF TYPE B 16 A	5 units (at 230 VAC)
CIRCUIT BREAKER OF TYPE C 16 A	8 units (at 230 VAC)

ORDERING INFORMATION

SKU	VOLTAGE	UNIT NET WEIGHT, G	UNIT DIMENSIONS, MM	PCS/BOX
BPSE-150-12V.3	12 V	690.0	247 x 46 x 32	24

DIMENSIONS



SIGNBRIDGE PRO

BPSE-150-12V.3

outdoor metal



150 W LED driver

FEATURES

- Constant voltage mode output
- Metal housing design with functional ground
- Built-in active PFC function
- IP67 rating for indoor or outdoor installations
- 7-year warranty

CONFORMITY & STANDARDS

EMC:

- EN55015
- EN 61000-3-2:2014
- EN 61000-3-3:2013

Security Standard:

- IEC 61347-2-13 2014+A1
- IEC 61347-1 2015+A1

Electrical Safety:

- Withstand Voltage:
I/P-O/P: 3.75KVAC, I/P-FG: 2KVAC, O/P-FG: 1.5KVAC
- Isolation Resistance:
I/P-O/P: >100M Ohms/500VDC/25°C/70% RH

SMARTBRIDGE

**OUTDOOR METAL WI-FI & BLUETOOTH DIMMABLE
POWER SUPPLIES**





GENERAL SPECIFICATIONS

EFFICIENCY	12 V $\geq 89.5\%$ (230 VAC) 24 V $\geq 91.9\%$ (230 VAC)
THD	< 15%
OPERATING CONDITIONS	-40°C ~ +50°C; 20 ~ 95% humidity
STORAGE CONDITIONS	-40 °C ~ +80 °C; 10 ~ 95% humidity
IP CLASS	IP 66 SELV
PROTECTIONS INCLUDED	Over load Short circuit Over temperature
WARRANTY	5 years, $\geq 50\,000$ h
CONTROL PROTOCOL	Tuya Casambi

INPUT

INPUT VOLTAGE RANGE	200 - 240 VAC, (47 - 63 Hz)
MAX INPUT AC CURRENT	0.61 A Max
MAX INRUSH CURRENT	≤ 90 A
POWER FACTOR	>0.95 (230 VAC)

OUTPUT

VOLTAGE CURRENT	12 V 8.33 A (CW+WW) 8.33 A (R+G+B) 24 V 4.17 A (CW+WW) 4.17 A (R+G+B)
MAX OUTPUT POWER	100 W

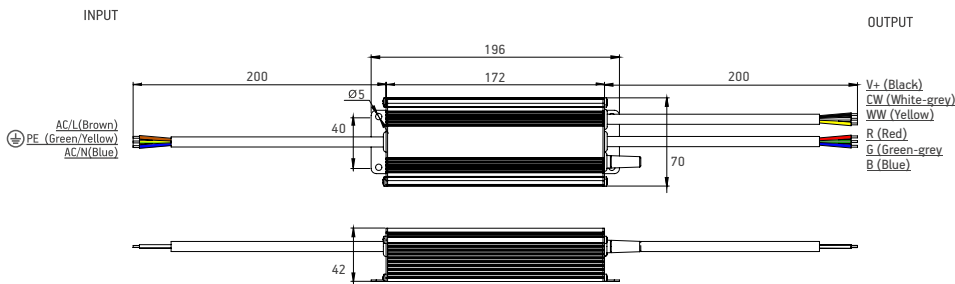
QUANTITY OF DRIVERS PER CIRCUIT BREAKER

CIRCUIT BREAKER OF TYPE B 16 A	3 units (at 230 VAC)
CIRCUIT BREAKER OF TYPE C 16 A	7 units (at 230 VAC)

ORDERING INFORMATION

SKU	CONTROL PROTOCOL	VOLTAGE	UNIT NET WEIGHT, G	UNIT DIMENSIONS, MM	PCS/BOX
BPSS-100-12V.1-W5C-T	Tuya	12 V	896.0	196 x 70 x 42	10
BPSS-100-24V.1-W5C-T		24 V	896.0	196 x 70 x 42	10
BPSS-100-12V.1-B5C-C	Casambi	12 V	896.0	196 x 70 x 42	10
BPSS-100-24V.1-B5C-C		24 V	896.0	196 x 70 x 42	10

DIMENSIONS



SMARTBRIDGE

BPSS-100-12/24V.1-W5C-T

BPSS-100-12/24V.1-B5C-C

- # Wi-Fi & Bluetooth dimmable
- # outdoor metal



100 W dimmable LED driver

FEATURES

- Constant voltage mode output
- Metal housing design with functional ground
- Built-in active PFC function
- Class 2 power supply
- IP66 rating for indoor or outdoor installations
- Wi-Fi wireless dimming
- Bluetooth wireless dimming
- 8K Hz PWM output

CONFORMITY & STANDARDS

EMC:

- En55015;
- EN 61000-3-2:2014
- EN 61000-3-3:2013

Security Standard:

- IEC 61347-2-13 2014+A1, EC 61347-1 2015+A1

Electrical Safety:

- Withstand Voltage:
I/P-O/P: 3.75KVAC I/P-FG: 1.5KVAC O/P-FG: 0.5KVAC
- Isolation Resistance:
I/P-O/P: 100MΩ / 500VDC / 25°C / 70%RH

SMARTBRIDGE

BPSS-200-12/24V.1-W5C-T

BPSS-200-12/24V.1-B5C-C

- # Wi-Fi & Bluetooth dimmable
- # outdoor metal



200 W dimmable LED driver

FEATURES

- Constant voltage mode output
- Metal housing design with functional ground
- Built-in active PFC function
- Class 2 power supply
- IP66 rating for indoor or outdoor installations
- Wi-Fi wireless dimming
- Bluetooth wireless dimming
- 8K Hz PWM output

CONFORMITY & STANDARDS

EMC:

- En55015;
- EN 61000-3-2:2014
- EN 61000-3-3:2013

Security Standard:

- IEC 61347-2-13 2014+A1, EC 61347-1 2015+A1

Electrical Safety:

- Withstand Voltage:

I/P-O/P: 3.75KVAC I/P-FG: 1.5KVAC O/P-FG: 0.5KVAC

- Isolation Resistance:

I/P-O/P: 100MΩ / 500VDC / 25°C / 70%RH



GENERAL SPECIFICATIONS

EFFICIENCY	12 V $\geq 90\%$ (230 VAC) 24 V $\geq 93\%$ (230 VAC)
THD	< 15%
OPERATING CONDITIONS	-40°C ~ +45°C; 20 ~ 95% humidity
STORAGE CONDITIONS	-40 °C ~ +80 °C; 10 ~ 95% humidity
IP CLASS	IP 66 SELV
PROTECTIONS INCLUDED	Over load Short circuit Over temperature
WARRANTY	5 years, $\geq 50\,000$ h
CONTROL PROTOCOL	Tuya Casambi

INPUT

INPUT VOLTAGE RANGE	200 - 240 VAC, (47 - 63 Hz)
MAX INPUT AC CURRENT	1.2 A Max
MAX INRUSH CURRENT	≤ 70.4 A
POWER FACTOR	>0.95 (230 VAC)

OUTPUT

VOLTAGE CURRENT	12 V 16.67 A (CW+WW) 16.67 A (R+G+B) 24 V 8.33 A (CW+WW) 8.33 A (R+G+B)
MAX OUTPUT POWER	200 W

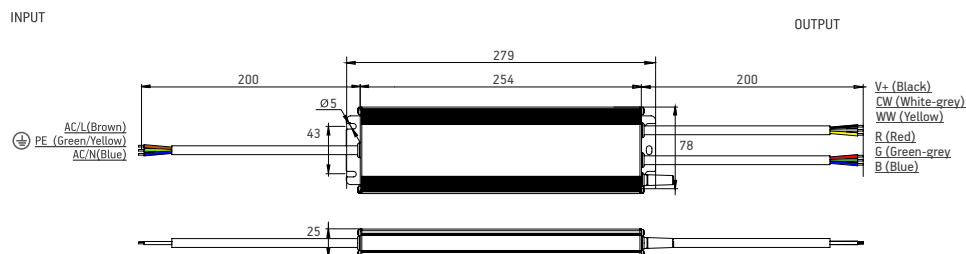
QUANTITY OF DRIVERS PER CIRCUIT BREAKER

CIRCUIT BREAKER OF TYPE B 16 A	6 units (at 230 VAC)
CIRCUIT BREAKER OF TYPE C 16 A	13 units (at 230 VAC)

ORDERING INFORMATION

SKU	CONTROL PROTOCOL	VOLTAGE	UNIT NET WEIGHT, G	UNIT DIMENSIONS, MM	PCS/BOX
BPSS-200-12V.1-W5C-T	Tuya	12 V	1000.0	279 x 78 x 25	20
BPSS-200-24V.1-W5C-T		24 V	1000.0	279 x 78 x 25	20
BPSS-200-12V.1-B5C-C	Casambi	12 V	1000.0	279 x 78 x 25	20
BPSS-200-24V.1-B5C-C		24 V	1000.0	279 x 78 x 25	20

DIMENSIONS



SIGNBRIDGE PWM
OUTDOOR METAL DIMMABLE POWER SUPPLIES



SIGNBRIDGE PLUS PWM

BPSP-36-12/24V.3-B

- # outdoor metal
- # dimmable



36 W PWM LED driver

FEATURES

- 3-in-1 dimming:PWM | 0-10V | 1-10V
- Metal housing design
- Built-in active PFC function
- IP67 rating for indoor or outdoor installations
- 5 years warranty

CONFORMITY & STANDARDS

EMC:

- EN55015
- EN 61000-3-2:2014
- EN 61000-3-3:2013

Security Standard:

- IEC 61347-2-13 2014+A1
- IEC 61347-1 2015+A1

Electrical Safety:

- Withstand Voltage:

I/P-O/P:3.75KVAC,I/P-FG:2KVAC,O/P-FG:1.5KVAC

- Isolation Resistance:

I/P-O/P:>100M Ohms/500VDC/25°C/70% RH



GENERAL SPECIFICATIONS

EFFICIENCY	12 V 84% (230 VAC) 24 V 85% (230 VAC)
START/RISE TIME	<1000mS (230 VAC)
OPERATING CONDITIONS	-20°C ~ +50°C; 20 ~ 95% humidity
STORAGE CONDITIONS	-40 °C ~ +80 °C; 10 ~ 95% humidity
IP CLASS	IP 67
PROTECTIONS INCLUDED	Short circuit Overload
WARRANTY	5 years

INPUT

INPUT VOLTAGE RANGE	220 - 240 VAC, (50 - 60 Hz)
MAX INPUT AC CURRENT	0.5 A Max
MAX INRUSH CURRENT	40 A
POWER FACTOR	≥0.95 (230 VAC)

OUTPUT

VOLTAGE CURRENT	12 V 3A 24 V 1.5 A
MAX OUTPUT POWER	36 W

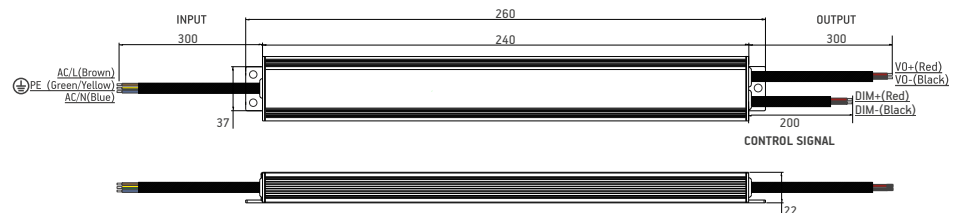
QUANTITY OF DRIVERS PER CIRCUIT BREAKER

CIRCUIT BREAKER OF TYPE B 16 A	10 units (at 230 VAC)
CIRCUIT BREAKER OF TYPE C 16 A	20 units (at 230 VAC)

ORDERING INFORMATION

SKU	VOLTAGE	UNIT NET WEIGHT, G	UNIT DIMENSIONS, MM	PCS/BOX
BPSP-36-12V.3-B	12 V	350.0	260x37x22	24
BPSP-36-24V.3-B	24 V	350.0	260x37x22	24

DIMENSIONS





GENERAL SPECIFICATIONS

EFFICIENCY	12 V 91% (230 VAC) 24 V 92% (230 VAC)
START/RISE TIME	<1000mS (230 VAC)
OPERATING CONDITIONS	-20°C ~ +50°C; 20 ~ 95% humidity
STORAGE CONDITIONS	-40 °C ~ +80 °C; 10 ~ 95% humidity
IP CLASS	IP 67
PROTECTIONS INCLUDED	Short circuit Overload
WARRANTY	5 years

INPUT

INPUT VOLTAGE RANGE	220 - 240 VAC, (50 - 60 Hz)
MAX INPUT AC CURRENT	0.9 A Max
MAX INRUSH CURRENT	50 A
POWER FACTOR	≥0.95 (230 VAC)

OUTPUT

VOLTAGE CURRENT	12 V 6.25A 24 V 3.13 A
MAX OUTPUT POWER	75 W

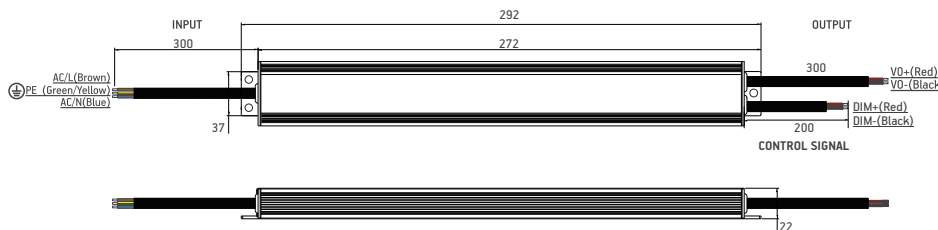
QUANTITY OF DRIVERS PER CIRCUIT BREAKER

CIRCUIT BREAKER OF TYPE B 16 A	9 units (at 230 VAC)
CIRCUIT BREAKER OF TYPE C 16 A	14 units (at 230 VAC)

ORDERING INFORMATION

SKU	VOLTAGE	UNIT NET WEIGHT, G	UNIT DIMENSIONS, MM	PCS/BOX
BPSP-75-12V.3-B	12 V	450.0	292x37x22	24
BPSP-75-24V.3-B	24 V	450.0	292x37x22	24

DIMENSIONS



SIGNBRIDGE PLUS PWM

BPSP-75-12/24V.3-B

- # outdoor metal
- # dimmable



75 W PWM LED driver

FEATURES

- 3-in-1 dimming: PWM | 0-10V | 1-10V
- Metal housing design
- Built-in active PFC function
- IP67 rating for indoor or outdoor installations
- 5 years warranty

CONFORMITY & STANDARDS

EMC:

- EN55015
- EN 61000-3-2:2014
- EN 61000-3-3:2013

Security Standard:

- IEC 61347-2-13 2014+A1
- IEC 61347-1 2015+A1

Electrical Safety:

- Withstand Voltage:
I/P-0/P: 3.75KVAC, I/P-FG: 2KVAC, O/P-FG: 1.5KVAC
- Isolation Resistance:
I/P-0/P: >100M Ohms/500VDC/25°C/70% RH

SIGNBRIDGE PLUS PWM

BPSP-100-12/24V.3-B

- # outdoor metal
- # dimmable



100 W PWM LED driver

FEATURES

- 3-in-1 dimming: PWM | 0-10V | 1-10V
- Metal housing design
- Built-in active PFC function
- IP67 rating for indoor or outdoor installations
- 5 years warranty

CONFORMITY & STANDARDS

EMC Emission:

- compliance to EN55015, PART15B

EMC Immunity:

- EN55015
- EN61547
- EN61000-3-2
- EN61000-3-3
- CB
- CE-LVD:
 - IEC/EN61347-1
 - IEC/EN61347-2-13
 - UL8750
 - UL1310



GENERAL SPECIFICATIONS

EFFICIENCY	12 V 91% (230 VAC) 24 V 92% (230 VAC)
START/RISE TIME	<1000mS (230 VAC)
OPERATING CONDITIONS	-20°C ~ +50°C; 20 ~ 95% humidity
STORAGE CONDITIONS	-40 °C ~ +80 °C; 10 ~ 95% humidity
IP CLASS	IP 67
PROTECTIONS INCLUDED	Short circuit Overload
WARRANTY	5 years

INPUT

INPUT VOLTAGE RANGE	220 - 240 VAC, (50 - 60 Hz)
MAX INPUT AC CURRENT	1.2 A Max
MAX INRUSH CURRENT	50 A
POWER FACTOR	≥0.95 (230 VAC)

OUTPUT

VOLTAGE CURRENT	12 V 8.33A 24 V 4.17 A
MAX OUTPUT POWER	100 W

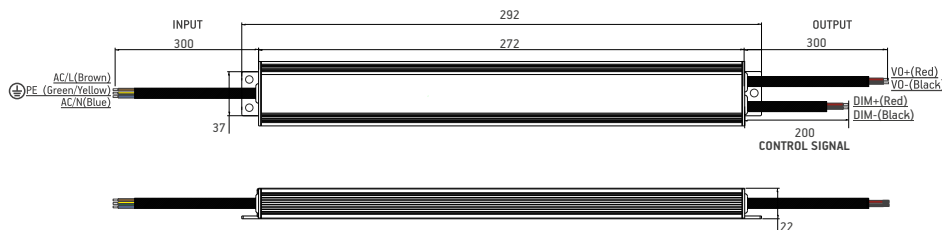
QUANTITY OF DRIVERS PER CIRCUIT BREAKER

CIRCUIT BREAKER OF TYPE B 16 A	8 units (at 230 VAC)
CIRCUIT BREAKER OF TYPE C 16 A	14 units (at 230 VAC)

ORDERING INFORMATION

SKU	VOLTAGE	UNIT NET WEIGHT, G	UNIT DIMENSIONS, MM	PCS/BOX
BPSP-100-12V.3-B	12 V	450.0	292x37x22	24
BPSP-100-24V.3-B	24 V	450.0	292x37x22	24

DIMENSIONS





GENERAL SPECIFICATIONS

EFFICIENCY	≥92% (230 VAC)
COLD START	≤3000mS (230 VAC)
OPERATING CONDITIONS	-40°C ~ +45°C; 20 ~ 95% humidity
STORAGE CONDITIONS	-40 °C ~ +80 °C; 10 ~ 95% humidity
IP CLASS	IP 68
PROTECTIONS INCLUDED	Over current Short circuit Over voltage Over temperature
WARRANTY	5 years, ≥50 000 h

INPUT

INPUT VOLTAGE RANGE	100 - 240 VAC, (50 - 60 Hz)
MAX INPUT AC CURRENT	2.1 A Max
MAX INRUSH CURRENT	≤70 A (100-277 VAC)
POWER FACTOR	≥0.95 (230 VAC)

OUTPUT

VOLTAGE CURRENT	12 V 12.5 A 24 V 6.25 A 48 V 3.13 A
MAX OUTPUT POWER	150 W

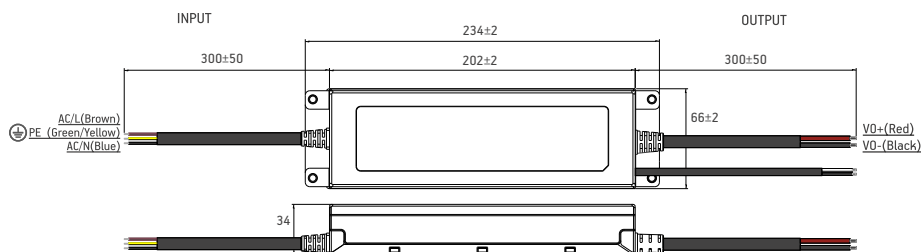
QUANTITY OF DRIVERS PER CIRCUIT BREAKER

CIRCUIT BREAKER OF TYPE C 16 A	3 units (at 230 VAC)
CIRCUIT BREAKER OF TYPE C 25 A	8 units (at 230 VAC)

ORDERING INFORMATION

SKU	VOLTAGE	UNIT NET WEIGHT, G	UNIT DIMENSIONS, MM	PCS/BOX
BPSP-150-12V.1-B	12 V	916	202 x 66 x 34	12
BPSP-150-24V.1-B	24 V	916	202 x 66 x 34	12
BPSP-150-48V.1-B	48 V	916	202 x 66 x 34	12

DIMENSIONS



SIGNBRIDGE PLUS PWM

BPSP-150-12/24/48V.1-B

- # outdoor metal
- # dimmable



150 W PWM LED driver

FEATURES

- 3-in-1 dimming: resistors | PWM | 0-10V
- Metal housing design with functional ground
- Built-in active PFC function

CONFORMITY & STANDARDS

EMC Emission:

- compliance to EN55015

EMC Immunity:

- EN55015
- EN61547
- EN61000-3-2
- EN61000-3-3
- CB
- CE-LVD:
 - IEC/EN61347-1
 - IEC/EN61347-2-13

SIGNBRIDGE PLUS PWM

BPSP-200-24V.3-B

- # outdoor metal
- # dimmable



200 W PWM LED driver

FEATURES

- 3-in-1 dimming;PWM | 0-10V | 1-10V
- Metal housing design
- Built-in active PFC function
- IP67 rating for indoor or outdoor installations
- 5 years warranty

CONFORMITY & STANDARDS

EMC:

- EN55015
- EN 61000-3-2:2014
- EN 61000-3-3:2013

Security Standard:

- IEC 61347-2-13 2014+A1
- IEC 61347-1 2015+A1

Electrical Safety:

- Withstand Voltage:

I/P-O/P:3.75KVAC,I/P-FG:2KVAC,O/P-FG:1.5KVAC

- Isolation Resistance:

I/P-O/P:>100M Ohms/500VDC/25°C/70% RH



GENERAL SPECIFICATIONS

EFFICIENCY	92% (230 VAC)
START / RISE TIME	<1000mS (230 VAC)
OPERATING CONDITIONS	-40°C ~ +60°C; 20 ~ 95% humidity
STORAGE CONDITIONS	-40 °C ~ +80 °C; 10 ~ 95% humidity
IP CLASS	IP 67
PROTECTIONS INCLUDED	Short circuit Overload
WARRANTY	5 years

INPUT

INPUT VOLTAGE RANGE	220 - 240 VAC, (50 - 60 Hz)
MAX INPUT AC CURRENT	1.4 A Max
MAX INRUSH CURRENT	60 A
POWER FACTOR	≥0.95 (230 VAC)

OUTPUT

VOLTAGE CURRENT	24 V 8.33A
MAX OUTPUT POWER	200 W

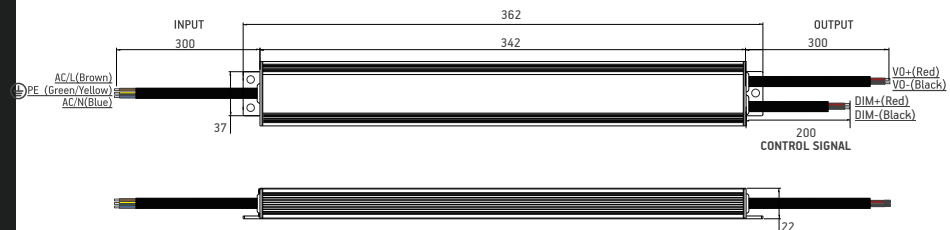
QUANTITY OF DRIVERS PER CIRCUIT BREAKER

CIRCUIT BREAKER OF TYPE B 16 A	4 units (at 230 VAC)
CIRCUIT BREAKER OF TYPE C 16 A	7 units (at 230 VAC)

ORDERING INFORMATION

SKU	VOLTAGE	UNIT NET WEIGHT, G	UNIT DIMENSIONS, MM	PCS/BOX
BPSP-200-24V.3-B	24 V	580.0	362x37x22	30

DIMENSIONS



SIGNBRIDGE PLUS

INDOOR PLASTIC | OUTDOOR & SLIM OUTDOOR
METAL POWER SUPPLIES



SIGNBRIDGE PLUS INDOOR

BPSP.I-36-12/24V.3

indoor plastic



36 W LED driver

FEATURES

- Plastic housing design
- Slender design
- IP20 rating for indoor installations
- 5 years warranty

CONFORMITY & STANDARDS

EMC:

- EN55015
- EN 61000-3-2:2014
- EN 61000-3-3:2013

Security Standard:

- IEC 61347-2-13 2014+A1
- IEC 61347-1 2015+A1

Electrical Safety:

- Withstand Voltage: I/P-O/P:3.75KVAC
- Isolation Resistance:

I/P-O/P:>100M Ohms/500VDC/25°C/70% RH



GENERAL SPECIFICATIONS

EFFICIENCY	12 V 85% (230 VAC) 24 V 86% (230 VAC)
OPERATING CONDITIONS	-20°C ~ +50°C; 20 ~ 95% humidity
STORAGE CONDITIONS	-40 °C ~ +80 °C; 10 ~ 95% humidity
IP CLASS	IP 20
PROTECTIONS INCLUDED	Short circuit Overload
WARRANTY	5 years

INPUT

INPUT VOLTAGE RANGE	220 - 240 VAC, (50 - 60 Hz)
MAX INPUT AC CURRENT	0.25 A Max
MAX INRUSH CURRENT	40 A
POWER FACTOR	≥0.95 (230 VAC)

OUTPUT

VOLTAGE CURRENT	12 V 3A 24 V 1.5 A
MAX OUTPUT POWER	36 W

QUANTITY OF DRIVERS PER CIRCUIT BREAKER

CIRCUIT BREAKER OF TYPE B 16 A	10 units (at 230 VAC)
CIRCUIT BREAKER OF TYPE C 16 A	20 units (at 230 VAC)

ORDERING INFORMATION

SKU	VOLTAGE	UNIT NET WEIGHT, G	UNIT DIMENSIONS, MM	PCS/BOX
BPSP.I-36-12V.3	12 V	280.0	264x30x18.5	56
BPSP.I-36-24V.3	24 V	280.0	264x30x18.5	56

DIMENSIONS





GENERAL SPECIFICATIONS

EFFICIENCY	12 V 92% (230 VAC) 24 V 93% (230 VAC)
OPERATING CONDITIONS	-20°C ~ +50°C; 20 ~ 95% humidity
STORAGE CONDITIONS	-40 °C ~ +80 °C; 10 ~ 95% humidity
IP CLASS	IP 20
PROTECTIONS INCLUDED	Short circuit Overload
WARRANTY	5 years

INPUT

INPUT VOLTAGE RANGE	220 - 240 VAC, (50 - 60 Hz)
MAX INPUT AC CURRENT	0.6 A Max
MAX INRUSH CURRENT	50 A
POWER FACTOR	≥0.95 (230 VAC)

OUTPUT

VOLTAGE CURRENT	12 V 8.33A 24 V 4.17 A
MAX OUTPUT POWER	100 W

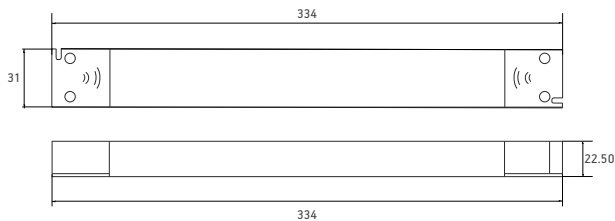
QUANTITY OF DRIVERS PER CIRCUIT BREAKER

CIRCUIT BREAKER OF TYPE B 16 A	8 units (at 230 VAC)
CIRCUIT BREAKER OF TYPE C 16 A	14 units (at 230 VAC)

ORDERING INFORMATION

SKU	VOLTAGE	UNIT NET WEIGHT, G	UNIT DIMENSIONS, MM	PCS/BOX
BPSP.I-100-12V.3	12 V	320.0	334x31x22.5	54
BPSP.I-100-24V.3	24 V	320.0	334x31x22.5	54

DIMENSIONS



SIGNBRIDGE PLUS INDOOR

BPSP.I-100-12/24V.3

indoor plastic



100 W LED driver

FEATURES

- Plastic housing design
- Slender design
- IP20 rating for indoor installations
- 5 years warranty

CONFORMITY & STANDARDS

EMC:

- EN55015
- EN 61000-3-2:2014
- EN 61000-3-3:2013

Security Standard:

- IEC 61347-2-13 2014+A1
- IEC 61347-1 2015+A1

Electrical Safety:

- Withstand Voltage: I/P-O/P:3.75KVAC
- Isolation Resistance:

I/P-O/P:>100M Ohms/500VDC/25°C/70% RH

SIGNBRIDGE PLUS INDOOR

BPSP.I-75-12/24V.3

indoor plastic



75 W PWM LED driver

FEATURES

- Plastic housing design
- Slender design
- IP20 rating for indoor installations
- 5 years warranty

CONFORMITY & STANDARDS

EMC:

- EN55015
- EN 61000-3-2:2014
- EN 61000-3-3:2013

Security Standard:

- IEC 61347-2-13 2014+A1
- IEC 61347-1 2015+A1

Electrical Safety:

- Withstand Voltage: I/P-O/P:3.75KVAC
- Isolation Resistance:

I/P-O/P:>100M Ohms/500VDC/25°C/70% RH



GENERAL SPECIFICATIONS

EFFICIENCY	12 V 91% (230 VAC) 24 V 93% (230 VAC)
OPERATING CONDITIONS	-20°C ~ +50°C; 20 ~ 95% humidity
STORAGE CONDITIONS	-40 °C ~ +80 °C; 10 ~ 95% humidity
IP CLASS	IP 20
PROTECTIONS INCLUDED	Short circuit Overload
WARRANTY	5 years

INPUT

INPUT VOLTAGE RANGE	220 - 240 VAC, (50 - 60 Hz)
MAX INPUT AC CURRENT	0.45 A Max
MAX INRUSH CURRENT	50 A
POWER FACTOR	≥0.95 (230 VAC)

OUTPUT

VOLTAGE CURRENT	12 V 6.25 A 24 V 3.13 A
MAX OUTPUT POWER	75 W

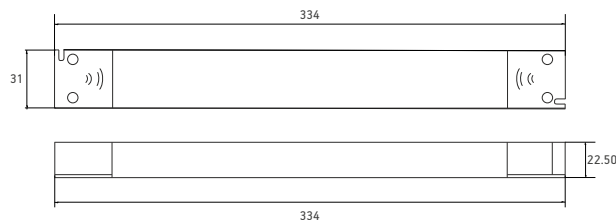
QUANTITY OF DRIVERS PER CIRCUIT BREAKER

CIRCUIT BREAKER OF TYPE B 16 A	9 units (at 230 VAC)
CIRCUIT BREAKER OF TYPE C 16 A	14 units (at 230 VAC)

ORDERING INFORMATION

SKU	VOLTAGE	UNIT NET WEIGHT, G	UNIT DIMENSIONS, MM	PCS/BOX
BPSP.I-75-12V.3	12 V	320.0	334x31x22.5	54
BPSP.I-75-24V.3	24 V	320.0	334x31x22.5	54

DIMENSIONS





GENERAL SPECIFICATIONS

EFFICIENCY	12 V 92% (230 VAC) 24 V 93% (230 VAC)
OPERATING CONDITIONS	-20°C ~ +50°C; 20 ~ 95% humidity
STORAGE CONDITIONS	-40 °C ~ +80 °C; 10 ~ 95% humidity
IP CLASS	IP 20
PROTECTIONS INCLUDED	Short circuit Overload
WARRANTY	5 years

INPUT

INPUT VOLTAGE RANGE	220 - 240 VAC, (50 - 60 Hz)
MAX INPUT AC CURRENT	0.85 A Max
MAX INRUSH CURRENT	60 A
POWER FACTOR	≥0.95 (230 VAC)

OUTPUT

VOLTAGE CURRENT	12 V 12.5 A 24 V 6.25 A
MAX OUTPUT POWER	150 W

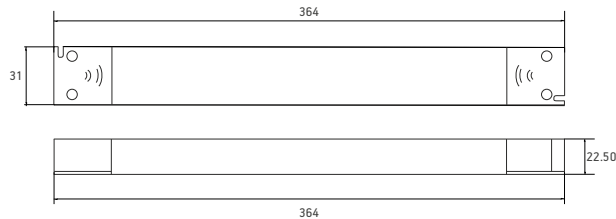
QUANTITY OF DRIVERS PER CIRCUIT BREAKER

CIRCUIT BREAKER OF TYPE B 16 A	5 units (at 230 VAC)
CIRCUIT BREAKER OF TYPE C 16 A	8 units (at 230 VAC)

ORDERING INFORMATION

SKU	VOLTAGE	UNIT NET WEIGHT, G	UNIT DIMENSIONS, MM	PCS/BOX
BPSP.I-150-12V.3	12 V	375.0	364x31x22.5	56
BPSP.I-150-24V.3	24 V	320.0	334x31x22.5	54

DIMENSIONS & PACKAGING INFO



SIGNBRIDGE PLUS INDOOR

BPSP.I-150-12/24V.3

indoor plastic



150 W PWM LED driver

FEATURES

- Plastic housing design
- Slender design
- IP20 rating for indoor installations
- 5 years warranty

CONFORMITY & STANDARDS

EMC:

- EN55015
- EN 61000-3-2:2014
- EN 61000-3-3:2013

Security Standard:

- IEC 61347-2-13 2014+A1
- IEC 61347-1 2015+A1

Electrical Safety:

- Withstand Voltage: I/P-O/P:3.75KVAC
- Isolation Resistance:

I/P-O/P:>100M Ohms/500VDC/25°C/70% RH

SIGNBRIDGE PLUS INDOOR

BPSP.I-200-24V.3

indoor plastic



200 W LED driver

FEATURES

- Plastic housing design
- Slender design
- IP20 rating for indoor installations
- 5 years warranty

CONFORMITY & STANDARDS

EMC:

- EN55015
- EN 61000-3-2:2014
- EN 61000-3-3:2013

Security Standard:

- IEC 61347-2-13 2014+A1
- IEC 61347-1 2015+A1

Electrical Safety:

- Withstand Voltage: I/P-O/P:3.75KVAC
- Isolation Resistance:

I/P-O/P:>100M Ohms/500VDC/25°C/70% RH



GENERAL SPECIFICATIONS

EFFICIENCY	93% (230 VAC)
OPERATING CONDITIONS	-20°C ~ +50°C; 20 ~ 95% humidity
STORAGE CONDITIONS	-40 °C ~ +80 °C; 10 ~ 95% humidity
IP CLASS	IP 20
PROTECTIONS INCLUDED	Short circuit Overload
WARRANTY	5 years

INPUT

INPUT VOLTAGE RANGE	220 - 240 VAC, (50 - 60 Hz)
MAX INPUT AC CURRENT	1.1 A Max
MAX INRUSH CURRENT	65 A
POWER FACTOR	≥0.95 (230 VAC)

OUTPUT

VOLTAGE CURRENT	24 V 8.33A
MAX OUTPUT POWER	200 W

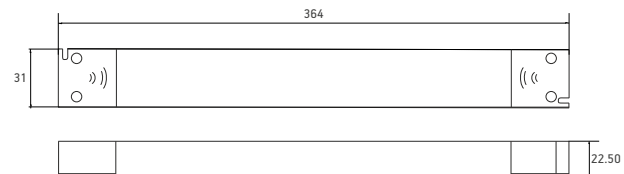
QUANTITY OF DRIVERS PER CIRCUIT BREAKER

CIRCUIT BREAKER OF TYPE B 16 A	4 units (at 230 VAC)
CIRCUIT BREAKER OF TYPE C 16 A	7 units (at 230 VAC)

ORDERING INFORMATION

SKU	VOLTAGE	UNIT NET WEIGHT, G	UNIT DIMENSIONS, MM	PCS/BOX
BPSP.I-200-24V.3	24 V	375.0	364x31x22.5	56

DIMENSIONS





GENERAL SPECIFICATIONS

EFFICIENCY	>90% (230 VAC)
OPERATING CONDITIONS	-10°C ~ +50°C; 20 ~ 95% humidity
STORAGE CONDITIONS	-20 °C ~ +80 °C; 10 ~ 95% humidity
IP CLASS	IP 68
PROTECTIONS INCLUDED	Over current Short circuit Over voltage Overload
WARRANTY	5 years

INPUT

INPUT VOLTAGE RANGE	180 - 240 VAC, (50 - 60 Hz)
MAX INPUT AC CURRENT	0.4 A Max
MAX INRUSH CURRENT	≤50 A
MOC FACTOR	≥0.9 (230 VAC)

OUTPUT

VOLTAGE CURRENT	12 V 2.1 A
MAX OUTPUT MOC	20 W

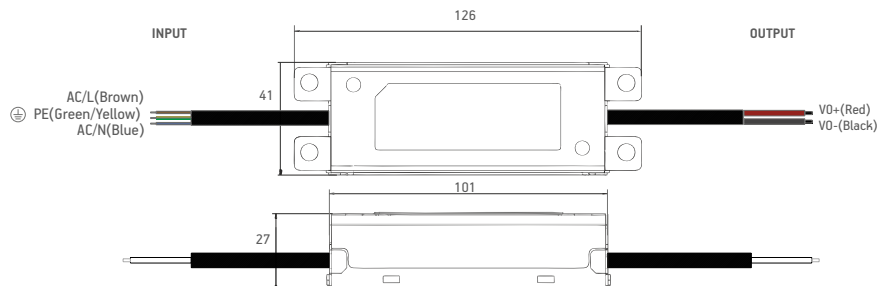
QUANTITY OF DRIVERS PER CIRCUIT BREAKER

CIRCUIT BREAKER OF TYPE B 16 A	12 units (at 230 VAC)
CIRCUIT BREAKER OF TYPE C 16 A	20 units (at 230 VAC)

ORDERING INFORMATION

SKU	VOLTAGE	UNIT NET WEIGHT, G	UNIT DIMENSIONS, MM	PCS/BOX
BPSP-20-12V.4	12 V	220	126 x 41 x 27	60

DIMENSIONS



SIGNBRIDGE PLUS OUTDOOR

BPSP-20-12V.4

outdoor metal



20 W LED driver

FEATURES

- Metal housing design with functional ground
- Forced air cooling by built-in DC ball bearing fan
- 100% full load burn-in test
- P68 rating for indoor or outdoor installations
- 5 years warranty

CONFORMITY & STANDARDS

EMC Compliance:

- EN 55032 (CISPR32) Class B; EN 61000-3-2

EMC Immunity:

- EN 61000-4-2, -4-3, -4-4, -4-5, -4-6, -4-8, -4-11
- EN 55024

Safety standards:

- UL 62368-1
- TUV EN 62368-1
- EAC TP TC 004

Electrical Safety:

•Withstand Voltage:

- I/P-O/P: 3000VAC / 3s / ≤5mA
- I/P-Case: 1500VAC / 3s / ≤5mA

•Isolation Resistance:

- I/P-O/P: >100MΩ / 500VDC / 25°C / 70%RH

SIGNBRIDGE PLUS OUTDOOR

BPSP-25-24V.4

outdoor metal



25 W LED driver

FEATURES

- Metal housing design with functional ground
- Forced air cooling by built-in DC ball bearing fan
- 100% full load burn-in test
- P68 rating for indoor or outdoor installations
- 5 years warranty

CONFORMITY & STANDARDS

EMC Compliance:

- EN 55032 (CISPR32) Class B; EN 61000-3-2

EMC Immunity:

- EN 61000-4-2, -4-3, -4-4, -4-5, -4-6, -4-8, -4-11
- EN 55024

Safety standards:

- UL 62368-1
- TUV EN 62368-1
- EAC TP TC 004

Electrical Safety:

- Withstand Voltage:
 - I/P-O/P: 3000VAC / 3s / $\leq 5\text{mA}$
 - I/P-Case: 1500VAC / 3s / $\leq 5\text{mA}$
- Isolation Resistance:
 - I/P-O/P: $>100\text{M}\Omega$ / 500VDC / 25°C / 70%RH



GENERAL SPECIFICATIONS

EFFICIENCY	>90% (230 VAC)
OPERATING CONDITIONS	-10°C ~ +50°C; 20 ~ 95% humidity
STORAGE CONDITIONS	-20 °C ~ +80 °C; 10 ~ 95% humidity
IP CLASS	IP 68
PROTECTIONS INCLUDED	Over current Short circuit Over voltage Overload
WARRANTY	5 years

INPUT

INPUT VOLTAGE RANGE	180 - 240 VAC, (50 - 60 Hz)
MAX INPUT AC CURRENT	0.4 A Max
MAX INRUSH CURRENT	$\leq 50\text{ A}$
MOC FACTOR	≥ 0.9 (230 VAC)

OUTPUT

VOLTAGE CURRENT	24 V 1 A
MAX OUTPUT MOC	25 W

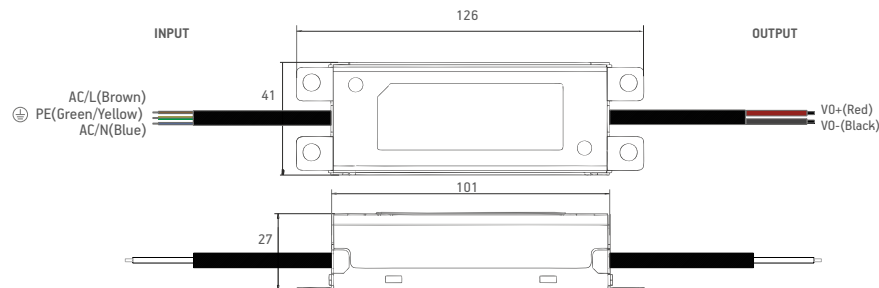
QUANTITY OF DRIVERS PER CIRCUIT BREAKER

CIRCUIT BREAKER OF TYPE B 16 A	11 units (at 230 VAC)
CIRCUIT BREAKER OF TYPE C 16 A	18 units (at 230 VAC)

ORDERING INFORMATION

SKU	VOLTAGE	UNIT NET WEIGHT, G	UNIT DIMENSIONS, MM	PCS/BOX
BPSP-25-24V.4	24 V	220	126 x 41 x 27	60

DIMENSIONS





GENERAL SPECIFICATIONS

EFFICIENCY	≥86% (230 VAC)
TURN ON DELAY	≤3000ms (230 VAC)
OPERATING CONDITIONS	-40°C ~ +60°C; 20 ~ 95% humidity
STORAGE CONDITIONS	-40 °C ~ +80 °C; 10 ~ 95% humidity
IP CLASS	IP 68
PROTECTIONS INCLUDED	Over current Short circuit Over voltage
WARRANTY	5 years, ≥50 000 h

INPUT

INPUT VOLTAGE RANGE	200 - 240 VAC, (50 - 60 Hz)
MAX INPUT AC CURRENT	0.3 A Max
MAX INRUSH CURRENT	≤50 A (100-277 VAC)
MOC FACTOR	≥0.95 (230 VAC)

OUTPUT

VOLTAGE CURRENT	12 V 3.3 A 24 V 1.67 A
MAX OUTPUT MOC	40 W

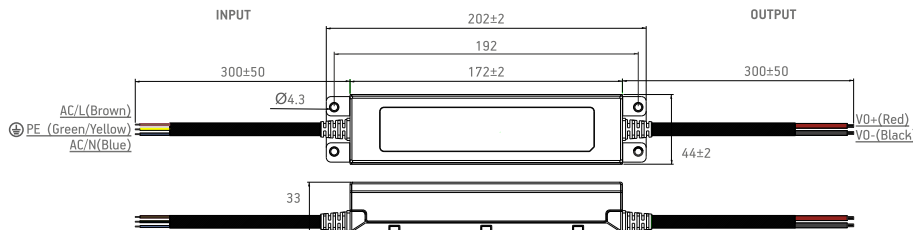
QUANTITY OF DRIVERS PER CIRCUIT BREAKER

CIRCUIT BREAKER OF TYPE C 16 A	28 units (at 230 VAC)
--------------------------------	-----------------------

ORDERING INFORMATION

SKU	VOLTAGE	UNIT NET WEIGHT, G	UNIT DIMENSIONS, MM	PCS/BOX
BPSP-40-12V.1	12 V	450	172 x 44 x 33	25
BPSP-40-24V.1	24 V	450	172 x 44 x 33	25

DIMENSIONS



SIGNBRIDGE PLUS OUTDOOR

BPSP-40-12/24V.1

outdoor metal



40 W LED driver

FEATURES

- Metal housing design with functional ground
- Built-in active PFC function
- IP68 rating for indoor or outdoor installations
- 5 years warranty

CONFORMITY & STANDARDS

EMC Emission:

- compliance to EN55015

EMC Immunity:

- EN55015
- EN61547
- EN61000-3-2
- EN61000-3-3
- CB
- CE-LVD:
 - IEC/EN61347-1
 - IEC/EN61347-2-13

SIGNBRIDGE PLUS OUTDOOR

BPSP-40-12V.4

outdoor metal



40 W LED driver

FEATURES

- Metal housing design with functional ground
- Forced air cooling by built-in DC ball bearing fan
- 100% full load burn-in test
- P68 rating for indoor or outdoor installations
- 5 years warranty

CONFORMITY & STANDARDS

EMC Compliance:

- EN 55032 (CISPR32) Class B; EN 61000-3-2

EMC Immunity:

- EN 61000-4-2, -4-3, -4-4, -4-5, -4-6, -4-8, -4-11
- EN 55024

Safety standards:

- UL 62368-1
- TUV EN 62368-1
- EAC TP TC 004

Electrical Safety:

- Withstand Voltage:
 - I/P-O/P: 3000VAC / 3s / $\leq 5\text{mA}$
 - I/P-Case: 1500VAC / 3s / $\leq 5\text{mA}$
- Isolation Resistance:
 - I/P-O/P: $>100\text{M}\Omega$ / 500VDC / 25°C / 70%RH



GENERAL SPECIFICATIONS

EFFICIENCY	>90% (230 VAC)
OPERATING CONDITIONS	-10°C ~ +50°C; 20 ~ 95% humidity
STORAGE CONDITIONS	-20 °C ~ +80 °C; 10 ~ 95% humidity
IP CLASS	IP 68
PROTECTIONS INCLUDED	Over current Short circuit Over voltage Overload
WARRANTY	5 years

INPUT

INPUT VOLTAGE RANGE	180 - 240 VAC, (50 - 60 Hz)
MAX INPUT AC CURRENT	0.6 A Max
MAX INRUSH CURRENT	$\leq 50\text{ A}$
MOC FACTOR	≥ 0.9 (230 VAC)

OUTPUT

VOLTAGE CURRENT	12 V 4.2 A
MAX OUTPUT MOC	40 W

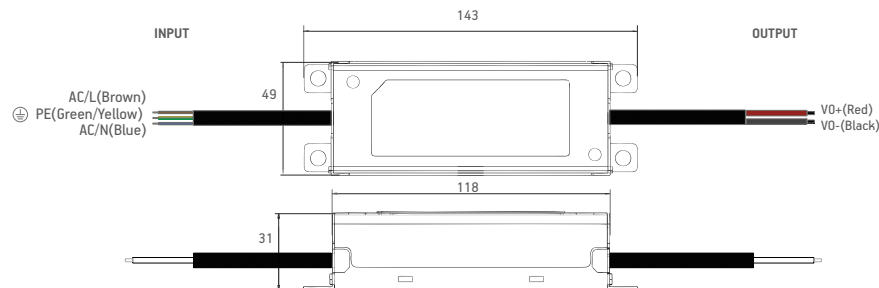
QUANTITY OF DRIVERS PER CIRCUIT BREAKER

CIRCUIT BREAKER OF TYPE B 16 A	7 units (at 230 VAC)
CIRCUIT BREAKER OF TYPE C 16 A	13 units (at 230 VAC)

ORDERING INFORMATION

SKU	VOLTAGE	UNIT NET WEIGHT, G	UNIT DIMENSIONS, MM	PCS/BOX
BPSP-40-12V.4	12 V	370	143 x 49 x 31	40

DIMENSIONS





GENERAL SPECIFICATIONS

EFFICIENCY	>91% (230 VAC)
OPERATING CONDITIONS	-10°C ~ +50°C; 20 ~ 95% humidity
STORAGE CONDITIONS	-20 °C ~ +80 °C; 10 ~ 95% humidity
IP CLASS	IP 68
PROTECTIONS INCLUDED	Over current Short circuit Over voltage Overload
WARRANTY	5 years

INPUT

INPUT VOLTAGE RANGE	180 - 240 VAC, (50 - 60 Hz)
MAX INPUT AC CURRENT	0.6 A Max
MAX INRUSH CURRENT	≤50 A
MOC FACTOR	≥0.9 (230 VAC)

OUTPUT

VOLTAGE CURRENT	24 V 2.1 A
MAX OUTPUT MOC	50 W

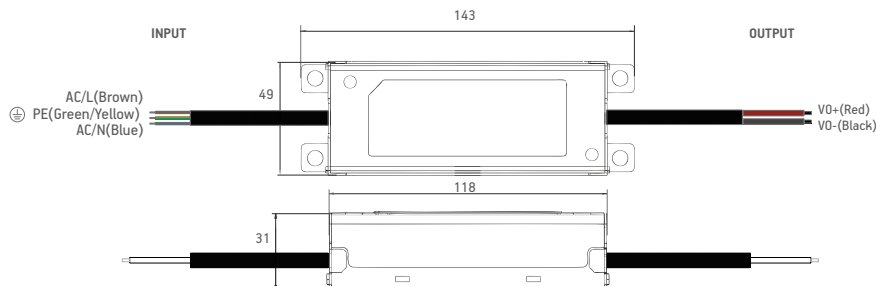
QUANTITY OF DRIVERS PER CIRCUIT BREAKER

CIRCUIT BREAKER OF TYPE B 16 A	5 units (at 230 VAC)
CIRCUIT BREAKER OF TYPE C 16 A	9 units (at 230 VAC)

ORDERING INFORMATION

SKU	VOLTAGE	UNIT NET WEIGHT, G	UNIT DIMENSIONS, MM	PCS/BOX
BPSP-50-24V.4	24 V	370	143 x 49 x 31	40

DIMENSIONS



SIGNBRIDGE PLUS OUTDOOR

BPSP-50-24V.4

outdoor metal



50 W LED driver

FEATURES

- Metal housing design with functional ground
- Forced air cooling by built-in DC ball bearing fan
- 100% full load burn-in test
- P68 rating for indoor or outdoor installations
- 5 years warranty

CONFORMITY & STANDARDS

EMC Compliance:

- EN 55032 (CISPR32) Class B; EN 61000-3-2

EMC Immunity:

- EN 61000-4-2, -4-3, -4-4, -4-5, -4-6, -4-8, -4-11
- EN 55024

Safety standards:

- UL 62368-1
- TUV EN 62368-1
- EAC TP TC 004

Electrical Safety:

• Withstand Voltage:

- I/P-O/P: 3000VAC / 3s / ≤5mA
- I/P-Case: 1500VAC / 3s / ≤5mA

• Isolation Resistance:

- I/P-O/P: >100MΩ / 500VDC / 25°C / 70%RH

SIGNBRIDGE PLUS OUTDOOR

BPSP-60-12/24V.1

outdoor metal



60 W LED driver



GENERAL SPECIFICATIONS

EFFICIENCY	≥86% (230 VAC)
TURN ON DELAY	≤3000mS (230 VAC)
OPERATING CONDITIONS	-40°C ~ +55°C; 20 ~ 95% humidity
STORAGE CONDITIONS	-40 °C ~ +80 °C; 10 ~ 95% humidity
IP CLASS	IP 68
PROTECTIONS INCLUDED	Over current Short circuit Over voltage Over temperature
WARRANTY	5 years, ≥50 000 h

INPUT

INPUT VOLTAGE RANGE	200 - 240 VAC, (50 - 60 Hz)
MAX INPUT AC CURRENT	0.5 A Max
MAX INRUSH CURRENT	≤50 A
POWER FACTOR	≥0.90 (230 VAC)

OUTPUT

VOLTAGE CURRENT	12 V 5 A 24 V 2.5 A
MAX OUTPUT POWER	60 W

FEATURES

- Metal housing design with functional ground
- Built-inactive PFC function
- IP68 rating for indoor or outdoor installations
- 5 years warranty

CONFORMITY & STANDARDS

EMC Emission:

- compliance to EN55015

EMC Immunity:

- EN55015
- EN61547
- EN61000-3-2
- EN61000-3-3
- CB
- ENEC

CE-LVD:

- IEC/EN61347-1
- IEC/EN61347-2-13
- UL8750
- UL1310

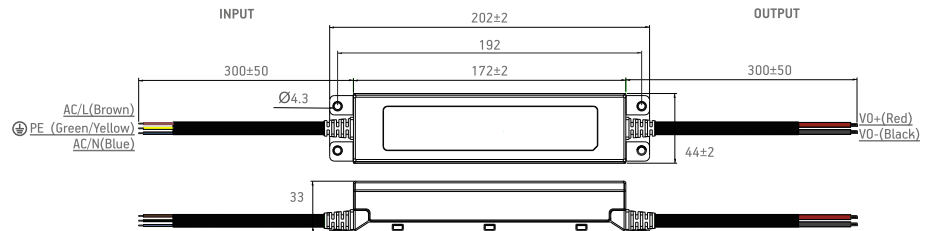
QUANTITY OF DRIVERS PER CIRCUIT BREAKER

CIRCUIT BREAKER OF TYPE B 16 A	5 units (at 230 VAC)
CIRCUIT BREAKER OF TYPE C 16 A	8 units (at 230 VAC)

ORDERING INFORMATION

SKU	VOLTAGE	UNIT NET WEIGHT, G	UNIT DIMENSIONS, MM	PCS/BOX
BPSP-60-12V.1	12 V	450	172 x 44 x 33	25
BPSP-60-24V.1	24 V	450	172 x 44 x 33	25

DIMENSIONS





GENERAL SPECIFICATIONS

EFFICIENCY	>90% (230 VAC)
OPERATING CONDITIONS	-10°C ~ +50°C; 20 ~ 95% humidity
STORAGE CONDITIONS	-20 °C ~ +80 °C; 10 ~ 95% humidity
IP CLASS	IP 68
PROTECTIONS INCLUDED	Over current Short circuit Over voltage Overload
WARRANTY	5 years

INPUT

INPUT VOLTAGE RANGE	180 - 240 VAC, (50 - 60 Hz)
MAX INPUT AC CURRENT	0.9 A Max
MAX INRUSH CURRENT	≤50 A
MOC FACTOR	≥0.9 (230 VAC)

OUTPUT

VOLTAGE CURRENT	12 V 6.25 A
MAX OUTPUT MOC	60 W

SIGNBRIDGE PLUS OUTDOOR

BPSP-60-12V.4

outdoor metal



60 W LED driver

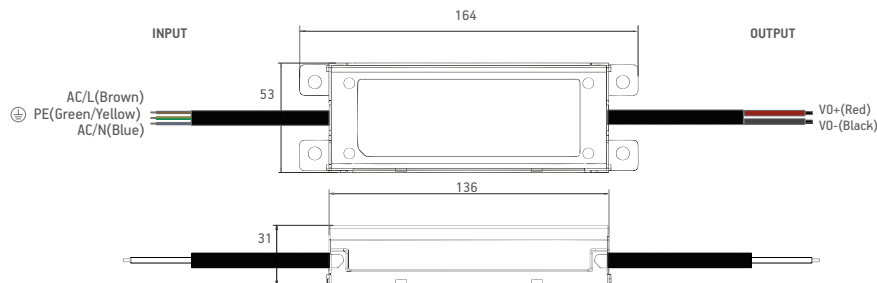
QUANTITY OF DRIVERS PER CIRCUIT BREAKER

CIRCUIT BREAKER OF TYPE B 16 A	4 units (at 230 VAC)
CIRCUIT BREAKER OF TYPE C 16 A	7 units (at 230 VAC)

ORDERING INFORMATION

SKU	VOLTAGE	UNIT NET WEIGHT, G	UNIT DIMENSIONS, MM	PCS/BOX
BPSP-60-12V.4	12 V	460	164 x 53 x 31	30

DIMENSIONS



FEATURES

- Metal housing design with functional ground
- Forced air cooling by built-in DC ball bearing fan
- 100% full load burn-in test
- P68 rating for indoor or outdoor installations
- 5 years warranty

CONFORMITY & STANDARDS

EMC Compliance:

- EN 55032 (CISPR32) Class B; EN 61000-3-2

EMC Immunity:

- EN 61000-4-2, -4-3, -4-4, -4-5, -4-6, -4-8, -4-11
- EN 55024

Safety standards:

- UL 62368-1
- TUV EN 62368-1
- EAC TP TC 004

Electrical Safety:

•Withstand Voltage:

- I/P-O/P: 3000VAC / 3s / ≤5mA
- I/P-Case: 1500VAC / 3s / ≤5mA

•Isolation Resistance:

- I/P-O/P: >100MΩ / 500VDC / 25°C / 70%RH

SIGNBRIDGE PLUS OUTDOOR

BPSP-75-24V.4

outdoor metal



75 W LED driver

FEATURES

- Metal housing design with functional ground
- Forced air cooling by built-in DC ball bearing fan
- 100% full load burn-in test
- P68 rating for indoor or outdoor installations
- 5 years warranty

CONFORMITY & STANDARDS

EMC Compliance:

- EN 55032 (CISPR32) Class B; EN 61000-3-2

EMC Immunity:

- EN 61000-4-2, -4-3, -4-4, -4-5, -4-6, -4-8, -4-11
- EN 55024

Safety standards:

- UL 62368-1
- TUV EN 62368-1
- EAC TP TC 004

Electrical Safety:

- Withstand Voltage:
 - I/P-O/P: 3000VAC / 3s / ≤ 5 mA
 - I/P-Case: 1500VAC / 3s / ≤ 5 mA
- Isolation Resistance:
 - I/P-O/P: >100 M Ω / 500VDC / 25°C / 70%RH



GENERAL SPECIFICATIONS

EFFICIENCY	>91% (230 VAC)
OPERATING CONDITIONS	-10°C ~ +50°C; 20 ~ 95% humidity
STORAGE CONDITIONS	-20 °C ~ +80 °C; 10 ~ 95% humidity
IP CLASS	IP 68
PROTECTIONS INCLUDED	Over current Short circuit Over voltage Overload
WARRANTY	5 years

INPUT

INPUT VOLTAGE RANGE	180 - 240 VAC, (50 - 60 Hz)
MAX INPUT AC CURRENT	0.9 A Max
MAX INRUSH CURRENT	≤ 50 A
MOC FACTOR	≥ 0.9 (230 VAC)

OUTPUT

VOLTAGE CURRENT	24 V 3.1 A
MAX OUTPUT MOC	75 W

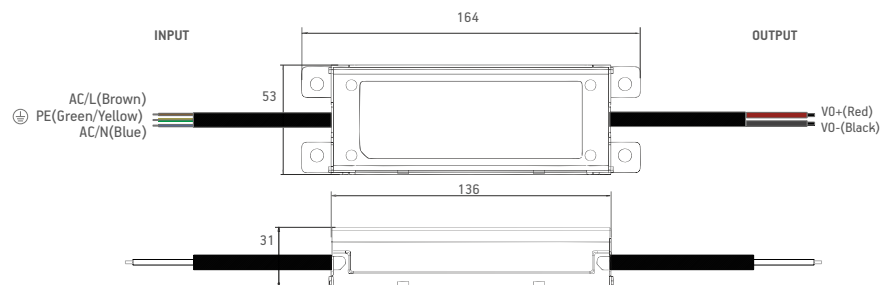
QUANTITY OF DRIVERS PER CIRCUIT BREAKER

CIRCUIT BREAKER OF TYPE B 16 A	4 units (at 230 VAC)
CIRCUIT BREAKER OF TYPE C 16 A	6 units (at 230 VAC)

ORDERING INFORMATION

SKU	VOLTAGE	UNIT NET WEIGHT, G	UNIT DIMENSIONS, MM	PCS/BOX
BPSP-75-24V.4	24 V	460	164 x 53 x 31	30

DIMENSIONS





GENERAL SPECIFICATIONS

EFFICIENCY	≥88% (230 VAC)
TURN ON DELAY	≤3000mS (230 VAC)
OPERATING CONDITIONS	-40°C ~ +55°C; 20 ~ 95% humidity
STORAGE CONDITIONS	-40 °C ~ +80 °C; 10 ~ 95% humidity
IP CLASS	IP 68
PROTECTIONS INCLUDED	Over current Short circuit Over voltage Over temperature
WARRANTY	5 years, ≥50 000 h

INPUT

INPUT VOLTAGE RANGE	200 - 240 VAC, (50 - 60 Hz)
MAX INPUT AC CURRENT	0.8 A Max
MAX INRUSH CURRENT	≤80 A
POWER FACTOR	≥0.95 (230 VAC)

OUTPUT

VOLTAGE CURRENT	12 V 8.33 A 24 V 4.16 A
MAX OUTPUT POWER	100 W

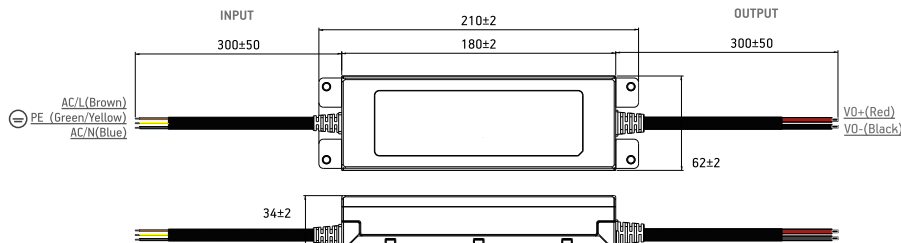
QUANTITY OF DRIVERS PER CIRCUIT BREAKER

CIRCUIT BREAKER OF TYPE B 16 A	3 units (at 230 VAC)
CIRCUIT BREAKER OF TYPE C 16 A	8 units (at 230 VAC)

ORDERING INFORMATION

SKU	VOLTAGE	UNIT NET WEIGHT, G	UNIT DIMENSIONS, MM	PCS/BOX
BPSP-100-12V.1	12 V	750	180 x 62 x 34	12
BPSP-100-24V.1	24 V	750	180 x 62 x 34	12

DIMENSIONS



SIGNBRIDGE PLUS OUTDOOR

BPSP-100-12/24V.1

outdoor metal



100 W LED driver

FEATURES

- Metal housing design with functional ground
- Built-in inactive PFC function
- IP68 rating for indoor or outdoor installations
- 5 years warranty

CONFORMITY & STANDARDS

EMC Emission:

- compliance to EN55015

EMC Immunity:

- EN55015
- EN61547
- EN61000-3-2
- EN61000-3-3
- CB
- ENEC

CE-LVD:

- IEC/EN61347-1
- IEC/EN61347-2-13
- UL8750
- UL1310

SIGNBRIDGE PLUS OUTDOOR

BPSP-100-12/24V.4

outdoor metal



100 W LED driver

FEATURES

- Metal housing design with functional ground
- Forced air cooling by built-in DC ball bearing fan
- 100% full load burn-in test
- P68 rating for indoor or outdoor installations
- 5 years warranty

CONFORMITY & STANDARDS

EMC Compliance:

- EN 55032 (CISPR32) Class B; EN 61000-3-2

EMC Immunity:

- EN 61000-4-2, -4-3, -4-4, -4-5, -4-6, -4-8, -4-11
- EN 55024

Safety standards:

- UL 62368-1
- TUV EN 62368-1
- EAC TP TC 004

Electrical Safety:

- Withstand Voltage:
 - I/P-O/P: 3000VAC / 3s / ≤ 5 mA
 - I/P-Case: 1500VAC / 3s / ≤ 5 mA
- Isolation Resistance:
 - I/P-O/P: > 100 M Ω / 500VDC / 25°C / 70%RH



GENERAL SPECIFICATIONS

EFFICIENCY	12 V $> 90\%$ (230 VAC) 24 V $> 91\%$ (230 VAC)
OPERATING CONDITIONS	-10°C ~ +50°C; 20 ~ 95% humidity
STORAGE CONDITIONS	-20 °C ~ +80 °C; 10 ~ 95% humidity
IP CLASS	IP 68
PROTECTIONS INCLUDED	Over current Short circuit Over voltage Overload
WARRANTY	5 years

INPUT

INPUT VOLTAGE RANGE	180 - 240 VAC, (50 - 60 Hz)
MAX INPUT AC CURRENT	0.9 A Max
MAX INRUSH CURRENT	≤ 50 A
MOC FACTOR	≥ 0.9 (230 VAC)

OUTPUT

VOLTAGE CURRENT	12 V 8.33 A 24 V 4.17 A
MAX OUTPUT MOC	100 W

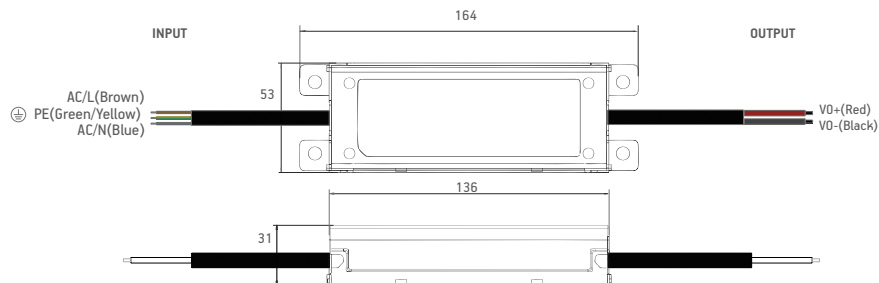
QUANTITY OF DRIVERS PER CIRCUIT BREAKER

CIRCUIT BREAKER OF TYPE B 16 A	3 units (at 230 VAC)
CIRCUIT BREAKER OF TYPE C 16 A	5 units (at 230 VAC)

ORDERING INFORMATION

SKU	VOLTAGE	UNIT NET WEIGHT, G	UNIT DIMENSIONS, MM	PCS/BOX
BPSP-100-12V.4	12 V	470	164 x 53 x 31	30
BPSP-100-24V.4	24 V	470	164 x 53 x 31	30

DIMENSIONS





GENERAL SPECIFICATIONS

EFFICIENCY	12 V $\geq 92\%$ (230 VAC) 24 V $\geq 87\%$ (230 VAC)
TURN ON DELAY	$\leq 3000\text{ms}$ (230 VAC)
OPERATING CONDITIONS	-40°C ~ +45°C; 20 ~ 95% humidity
STORAGE CONDITIONS	-40 °C ~ +80 °C; 10 ~ 95% humidity
IP CLASS	IP 68
PROTECTIONS INCLUDED	Over current Short circuit Over voltage Over temperature
WARRANTY	5 years, $\geq 50\,000$ h

INPUT

INPUT VOLTAGE RANGE	200 - 240 VAC, (50 - 60 Hz)
MAX INPUT AC CURRENT	12V: 2.1 A Max 24V: 1 A Max
MAX INRUSH CURRENT	12V: ≤ 70 A 24V: ≤ 50 A:
POWER FACTOR	≥ 0.95 (230 VAC)

OUTPUT

VOLTAGE CURRENT	12 V 12.5 A 24 V 6.25 A
MAX OUTPUT POWER	150 W

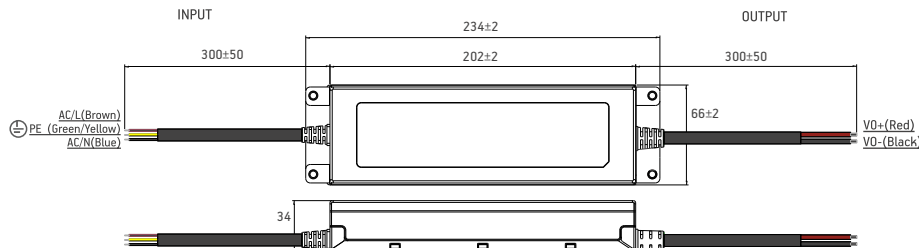
QUANTITY OF DRIVERS PER CIRCUIT BREAKER

CIRCUIT BREAKER OF TYPE B 16 A	3 units (at 230 VAC)
CIRCUIT BREAKER OF TYPE C 16 A	8 units (at 230 VAC)

ORDERING INFORMATION

SKU	VOLTAGE	UNIT NET WEIGHT, G	UNIT DIMENSIONS, MM	PCS/BOX
BPSP-150-12V.1	12 V	916	202 x 66 x 34	12
BPSP-150-24V.1	24 V	916	202 x 66 x 34	12

DIMENSIONS



SIGNBRIDGE PLUS OUTDOOR

BPSP-150-12/24V.1

outdoor metal



150 W LED driver

FEATURES

- Metal housing design with functional ground
- Built-in active PFC function
- Ip68 rating for indoor or outdoor installations
- 5 years warranty

CONFORMITY & STANDARDS

EMC Emission:

- compliance to EN55015

EMC Immunity:

- EN55015
- EN61547
- EN61000-3-2
- EN61000-3-3
- CB
- CE-LVD:
 - IEC/EN61347-1
 - IEC/EN61347-2-13
 - UL8750
 - UL1310

SIGNBRIDGE PLUS OUTDOOR

BPSP-150-12/24V.4

outdoor metal



150 W LED driver

FEATURES

- Metal housing design with functional ground
- Forced air cooling by built-in DC ball bearing fan
- 100% full load burn-in test
- P68 rating for indoor or outdoor installations
- 5 years warranty

CONFORMITY & STANDARDS

EMC Compliance:

- EN 55032 (CISPR32) Class B; EN 61000-3-2

EMC Immunity:

- EN 61000-4-2, -4-3, -4-4, -4-5, -4-6, -4-8, -4-11
- EN 55024

Safety standards:

- UL 62368-1
- TUV EN 62368-1
- EAC TP TC 004

Electrical Safety:

- Withstand Voltage:
 - I/P-O/P: 3000VAC / 3s / ≤ 5 mA
 - I/P-Case: 1500VAC / 3s / ≤ 5 mA
- Isolation Resistance:
 - I/P-O/P: >100 M Ω / 500VDC / 25°C / 70%RH



GENERAL SPECIFICATIONS

EFFICIENCY	12 V $>90\%$ (230 VAC) 24 V $>91\%$ (230 VAC)
OPERATING CONDITIONS	-10°C ~ +50°C; 20 ~ 95% humidity
STORAGE CONDITIONS	-20 °C ~ +80 °C; 10 ~ 95% humidity
IP CLASS	IP 68
PROTECTIONS INCLUDED	Over current Short circuit Over voltage Overload
WARRANTY	5 years

INPUT

INPUT VOLTAGE RANGE	180 - 240 VAC, (50 - 60 Hz)
MAX INPUT AC CURRENT	1.8 A Max
MAX INRUSH CURRENT	≤ 50 A
MOC FACTOR	≥ 0.9 (230 VAC)

OUTPUT

VOLTAGE CURRENT	12 V 12.5 A 24 V 6.25 A
MAX OUTPUT MOC	150 W

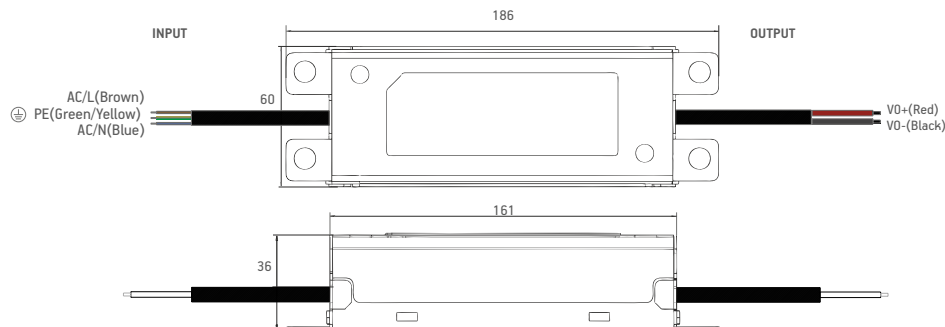
QUANTITY OF DRIVERS PER CIRCUIT BREAKER

CIRCUIT BREAKER OF TYPE B 16 A	2 units (at 230 VAC)
CIRCUIT BREAKER OF TYPE C 16 A	3 units (at 230 VAC)

ORDERING INFORMATION

SKU	VOLTAGE	UNIT NET WEIGHT, G	UNIT DIMENSIONS, MM	PCS/BOX
BPSP-150-12V.4	12 V	670	186 x 60 x 36	20
BPSP-150-24V.4	24 V	670	186 x 60 x 36	20

DIMENSIONS





GENERAL SPECIFICATIONS

EFFICIENCY	12 V >90% (230 VAC) 24 V >91% (230 VAC)
OPERATING CONDITIONS	-10°C ~ +50°C; 20 ~ 95% humidity
STORAGE CONDITIONS	-20 °C ~ +80 °C; 10 ~ 95% humidity
IP CLASS	IP 68
PROTECTIONS INCLUDED	Over current Short circuit Over voltage Overload
WARRANTY	5 years

INPUT

INPUT VOLTAGE RANGE	180 - 240 VAC, (50 - 60 Hz)
MAX INPUT AC CURRENT	1.8 A Max
MAX INRUSH CURRENT	≤50 A
MOC FACTOR	≥0.9 (230 VAC)

OUTPUT

VOLTAGE CURRENT	12 V 16.67 A 24 V 8.33 A
MAX OUTPUT MOC	200 W

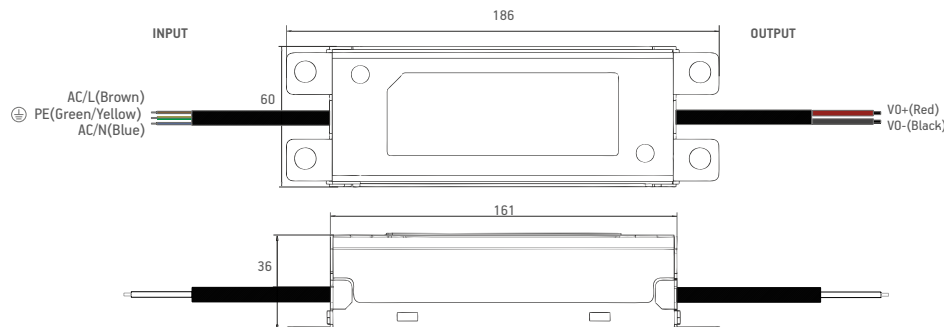
QUANTITY OF DRIVERS PER CIRCUIT BREAKER

CIRCUIT BREAKER OF TYPE B 16 A	2 units (at 230 VAC)
CIRCUIT BREAKER OF TYPE C 16 A	3 units (at 230 VAC)

ORDERING INFORMATION

SKU	VOLTAGE	UNIT NET WEIGHT, G	UNIT DIMENSIONS, MM	PCS/BOX
BPSP-200-12V.4	12 V	670	186 x 60 x 36	20
BPSP-200-24V.4	24 V	670	186 x 60 x 36	20

DIMENSIONS



SIGNBRIDGE PLUS OUTDOOR

BPSP-200-12/24V.4

outdoor metal



200 W LED driver

FEATURES

- Metal housing design with functional ground
- Forced air cooling by built-in DC ball bearing fan
- 100% full load burn-in test
- P68 rating for indoor or outdoor installations
- 5 years warranty

CONFORMITY & STANDARDS

EMC Compliance:

- EN 55032 (CISPR32) Class B; EN 61000-3-2

EMC Immunity:

- EN 61000-4-2, -4-3, -4-4, -4-5, -4-6, -4-8, -4-11
- EN 55024

Safety standards:

- UL 62368-1
- TÜV EN 62368-1
- EAC TP TC 004

Electrical Safety:

• Withstand Voltage:

- I/P-O/P: 3000VAC / 3s / ≤5mA
- I/P-Case: 1500VAC / 3s / ≤5mA

• Isolation Resistance:

- I/P-O/P: >100MΩ / 500VDC / 25°C / 70%RH

SIGNBRIDGE PLUS OUTDOOR

BPSP-250-12/24V.2

outdoor metal



250 W LED driver

FEATURES

- Metal housing design with functional ground
- Built-in active PFC function
- IP67 rating for indoor or outdoor installations
- 5 years warranty

CONFORMITY & STANDARDS

EMC Compliance:

- EN 55015:2019+A11:2020
- EN 61000-3-2:2019+A1:2021
- EN 61000-3-3:2013+A1:2019+A2:2021
- EN 61547: 2009

Safety standards:

- EN 61347-2-13:2014+A1:2017
- EN 61347-1:2015+A1:2021
- EN 62493:2015

Electrical Safety:

- Withstand Voltage:
I/P-O/P: 3000VAC/1min/<5mA
- Isolation Resistance:
I/P-O/P: >100MΩ / 500VDC / 25°C / 70%RH



GENERAL SPECIFICATIONS

EFFICIENCY	12 V 90% (230 VAC) 24 V 92% (230 VAC)
TURN ON DELAY	<1000mS (230 VAC)
OPERATING CONDITIONS	-25°C ~ +50°C; 20 ~ 95% humidity
STORAGE CONDITIONS	-40 °C ~ +80 °C; 10 ~ 95% humidity
IP CLASS	IP 67
PROTECTIONS INCLUDED	Short circuit Overload
WARRANTY	5 years

INPUT

INPUT VOLTAGE RANGE	200 - 240 VAC, (50 - 60 Hz)
MAX INPUT AC CURRENT	1.41 A Max
MAX INRUSH CURRENT	35 A
POWER FACTOR	≥0.95 (230 VAC)

OUTPUT

VOLTAGE CURRENT	12 V 20.83 A 24 V 10.42 A
MAX OUTPUT POWER	250 W

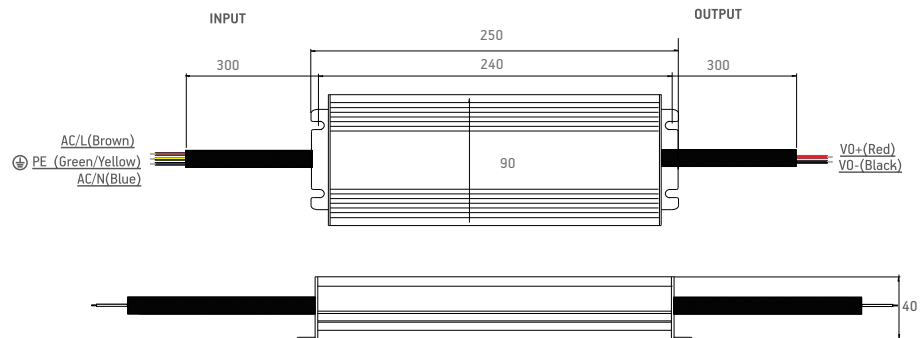
QUANTITY OF DRIVERS PER CIRCUIT BREAKER

CIRCUIT BREAKER OF TYPE B 16 A	8 units (at 230 VAC)
CIRCUIT BREAKER OF TYPE C 16 A	8 units (at 230 VAC)

ORDERING INFORMATION

SKU	VOLTAGE	UNIT NET WEIGHT, G	UNIT DIMENSIONS, MM	PCS/BOX
BPSP-250-12V.1	12 V	1490	250 x 90 x40	10
BPSP-250-24V.1	24 V	1490	250 x 90 x40	10

DIMENSIONS





GENERAL SPECIFICATIONS

EFFICIENCY	12 V >90% (230 VAC) 24 V >91% (230 VAC)
OPERATING CONDITIONS	-10°C ~ +50°C; 20 ~ 95% humidity
STORAGE CONDITIONS	-20 °C ~ +80 °C; 10 ~ 95% humidity
IP CLASS	IP 68
PROTECTIONS INCLUDED	Over current Short circuit Over voltage Overload
WARRANTY	5 years

INPUT

INPUT VOLTAGE RANGE	180 - 240 VAC, (50 - 60 Hz)
MAX INPUT AC CURRENT	3.57 A Max
MAX INRUSH CURRENT	≤50 A
MOC FACTOR	≥0.9 (230 VAC)

OUTPUT

VOLTAGE CURRENT	12 V 25 A 24 V 12.5 A
MAX OUTPUT MOC	300 W

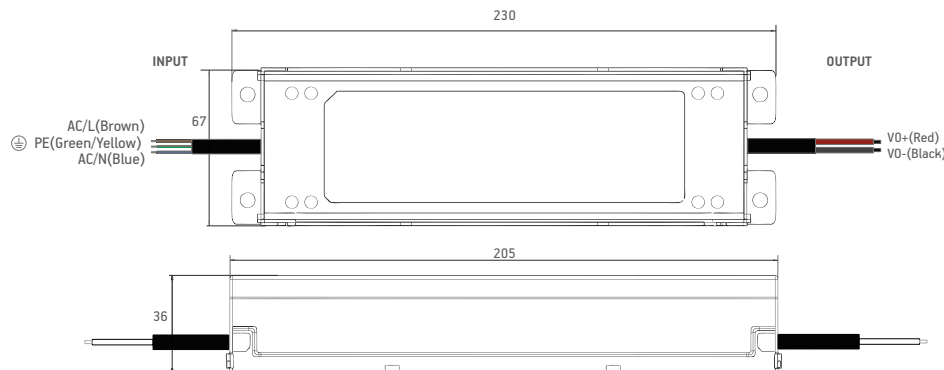
QUANTITY OF DRIVERS PER CIRCUIT BREAKER

CIRCUIT BREAKER OF TYPE B 16 A	1 unit (at 230 VAC)
CIRCUIT BREAKER OF TYPE C 16 A	2 units (at 230 VAC)

ORDERING INFORMATION

SKU	VOLTAGE	UNIT NET WEIGHT, G	UNIT DIMENSIONS, MM	PCS/BOX
BPSP-300-12V.4	12 V	1010	230 x 67 x 36	16
BPSP-300-24V.4	24 V	1010	230 x 67 x 36	16

DIMENSIONS



SIGNBRIDGE PLUS OUTDOOR

BPSP-300-12/24V.4

outdoor metal



300 W LED driver

FEATURES

- Metal housing design with functional ground
- Forced air cooling by built-in DC ball bearing fan
- 100% full load burn-in test
- P68 rating for indoor or outdoor installations
- 5 years warranty

CONFORMITY & STANDARDS

EMC Compliance:

- EN 55032 (CISPR32) Class B; EN 61000-3-2

EMC Immunity:

- EN 61000-4-2, -4-3, -4-4, -4-5, -4-6, -4-8, -4-11
- EN 55024

Safety standards:

- UL 62368-1
- TUV EN 62368-1
- EAC TP TC 004

Electrical Safety:

- Withstand Voltage:
 - I/P-O/P: 3000VAC / 3s / ≤5mA
 - I/P-Case: 1500VAC / 3s / ≤5mA
- Isolation Resistance:
 - I/P-O/P: >100MΩ / 500VDC / 25°C / 70%RH

SIGNBRIDGE PLUS OUTDOOR

BPSP-60-C700.1

- # outdoor metal
- # constant current model



60 W 0.7A LED driver

FEATURES

- Constant current design
- Metal housing design with functional ground
- Built-in active PFC function
- IP68 rating for indoor and outdoor installations
- 5 years warranty

CONFORMITY & STANDARDS

EMC Emission:

- compliance to EN55015

EMC Immunity:

- EN55015
- EN61547
- EN61000-3-2
- EN61000-3-3
- CB
- ENEC

CE-LVD:

- IEC/EN61347-1
- IEC/EN61347-2-13



GENERAL SPECIFICATIONS

EFFICIENCY	≥88% (230 VAC)
TURN ON DELAY	≤3000mS (230 VAC)
OPERATING CONDITIONS	-40°C ~ +50°C; 20 ~ 95% humidity
STORAGE CONDITIONS	-40 °C ~ +80 °C; 10 ~ 95% humidity
IP CLASS	IP 68
PROTECTIONS INCLUDED	Over current Short circuit Over voltage
WARRANTY	5 years, ≥50 000 h

INPUT

INPUT VOLTAGE RANGE	100 - 240 VAC, (50 - 60 Hz)
MAX INPUT AC CURRENT	0.8 A Max
MAX INRUSH CURRENT	≤65 A (100-277 VAC)
POWER FACTOR	≥0.90 (230 VAC)

OUTPUT

VOLTAGE CURRENT	40-80 V 0.7 A
MAX OUTPUT POWER	60 W

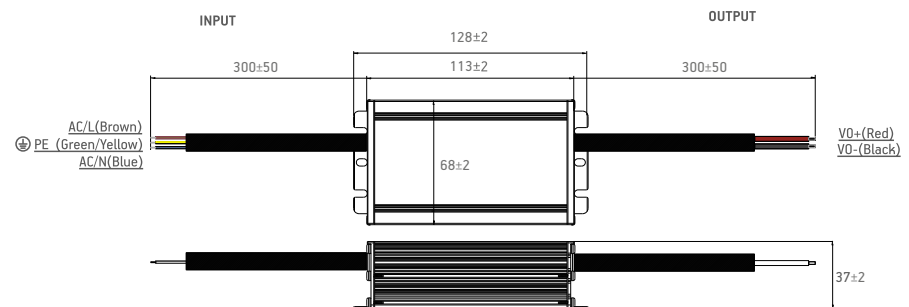
QUANTITY OF DRIVERS PER CIRCUIT BREAKER

CIRCUIT BREAKER OF TYPE C 16 A	18 units (at 230 VAC)
--------------------------------	-----------------------

ORDERING INFORMATION

SKU	UNIT NET WEIGHT, G	UNIT DIMENSIONS, MM	PCS/BOX
BPSP-60-C700.1	580	113 x 68 x 37	20

DIMENSIONS





GENERAL SPECIFICATIONS

EFFICIENCY	≥88% (230 VAC)
TURN ON DELAY	≤3000mS (230 VAC)
OPERATING CONDITIONS	-40°C ~ +50°C; 20 ~ 95% humidity
STORAGE CONDITIONS	-40 °C ~ +80 °C; 10 ~ 95% humidity
IP CLASS	IP 68
PROTECTIONS INCLUDED	Over current Short circuit Over voltage
WARRANTY	5 years, ≥50 000 h

INPUT

INPUT VOLTAGE RANGE	100 - 240 VAC, (50 - 60 Hz)
MAX INPUT AC CURRENT	1.3 A Max
MAX INRUSH CURRENT	≤65 A (100-277 VAC)
POWER FACTOR	≥0.95 (230 VAC)

OUTPUT

VOLTAGE CURRENT	85-142 V 0.7 A
MAX OUTPUT POWER	100 W

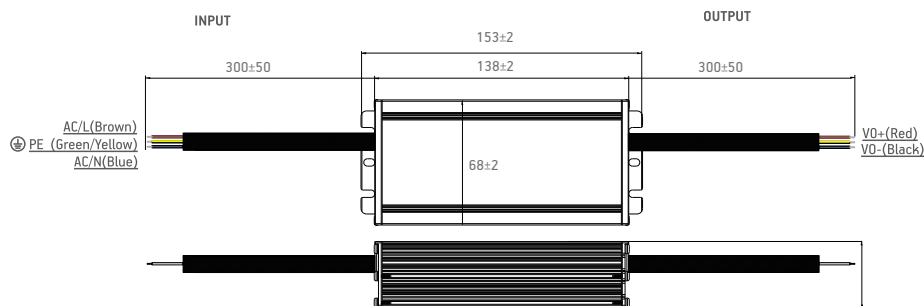
QUANTITY OF DRIVERS PER CIRCUIT BREAKER

CIRCUIT BREAKER OF TYPE C 16 A	12 units (at 230 VAC)
--------------------------------	-----------------------

ORDERING INFORMATION

SKU	UNIT NET WEIGHT, G	UNIT DIMENSIONS, MM	PCS/BOX
BPSP-60-C700.1	720	138 x 68 x 37	10

DIMENSIONS



SIGNBRIDGE PLUS OUTDOOR

BPSP-100-C700.1

- # outdoor metal
- # constant current model



100 W 0.7A LED driver

FEATURES

- Constant current design
- Metal housing design with functional ground
- Built-in active PFC function
- IP68 rating for indoor and outdoor installations
- 5 years warranty

CONFORMITY & STANDARDS

EMC Emission:

- compliance to EN55015

EMC Immunity:

- EN55015
- EN61547
- EN61000-3-2
- EN61000-3-3
- CB

ENEC

CE-LVD:

- IEC/EN61347-1
- IEC/EN61347-2-13

SIGNBRIDGE PLUS SLIM

BPSP.S-36-12/24V.3

- # outdoor metal
- # slim



36 W LED driver

FEATURES

- Metal housing design with functional ground
- Built-in active PFC function
- Slender design
- IP67 rating for indoor and outdoor installations
- 5 years warranty

CONFORMITY & STANDARDS

EMC:

- EN55015
- EN 61000-3-2:2014
- EN 61000-3-3:2013

Security Standard:

- IEC 61347-2-13 2014+A1
- IEC 61347-1 2015+A1

Electrical Safety:

- Withstand Voltage:

I/P-O/P:3.75KVAC,I/P-FG:2KVAC,O/P-FG:1.5KVAC

- Isolation Resistance:

I/P-O/P:>100M Ohms/500VDC/25°C/70% RH



GENERAL SPECIFICATIONS

EFFICIENCY	12 V 83% (230 VAC) 24 V 84% (230 VAC)
TURN ON DELAY	<1000mS (230 VAC)
OPERATING CONDITIONS	-40°C ~ +70°C; 20 ~ 95% humidity
STORAGE CONDITIONS	-40 °C ~ +80 °C; 10 ~ 95% humidity
IP CLASS	IP 67
PROTECTIONS INCLUDED	Short circuit Overload
WARRANTY	5 years

INPUT

INPUT VOLTAGE RANGE	200 - 240 VAC, (50 - 60 Hz)
MAX INPUT AC CURRENT	0.3 A Max
MAX INRUSH CURRENT	40 A
POWER FACTOR	≥0.95 (230 VAC)

OUTPUT

VOLTAGE CURRENT	12 V 3 A 24 V 1.5 A
OUTPUT VOLTAGE	12 V 24 V
MAX OUTPUT POWER	36 W

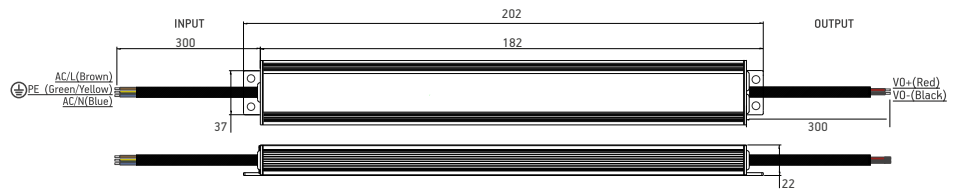
QUANTITY OF DRIVERS PER CIRCUIT BREAKER

CIRCUIT BREAKER OF TYPE B 16 A	10 units (at 230 VAC)
CIRCUIT BREAKER OF TYPE C 16 A	20 units (at 230 VAC)

ORDERING INFORMATION

SKU	VOLTAGE	UNIT NET WEIGHT, G	UNIT DIMENSIONS, MM	PCS/BOX
BPSP.S-36-12V.3	12 V	300	202 x 37 x 22	40
BPSP.S-36-24V.3	24 V	300	202 x 37 x 22	40

DIMENSIONS





GENERAL SPECIFICATIONS

EFFICIENCY	90% (230 VAC)
TURN ON DELAY	<1000mS (230 VAC)
OPERATING CONDITIONS	-40°C ~ +70°C; 20 ~ 95% humidity
STORAGE CONDITIONS	-40 °C ~ +80 °C; 10 ~ 95% humidity
IP CLASS	IP 67
PROTECTIONS INCLUDED	Short circuit Overload
WARRANTY	5 years

INPUT

INPUT VOLTAGE RANGE	200 - 240 VAC, (50 - 60 Hz)
MAX INPUT AC CURRENT	0.55 A Max
MAX INRUSH CURRENT	50 A
POWER FACTOR	≥0.95 (230 VAC)

OUTPUT

VOLTAGE CURRENT	12 V 6.25 A 24 V 3.13 A
MAX OUTPUT POWER	75 W

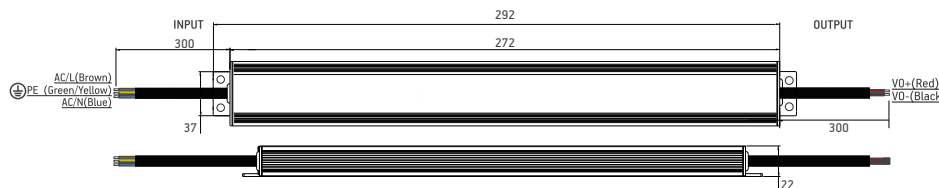
QUANTITY OF DRIVERS PER CIRCUIT BREAKER

CIRCUIT BREAKER OF TYPE B 16 A	9 units (at 230 VAC)
CIRCUIT BREAKER OF TYPE C 16 A	14 units (at 230 VAC)

ORDERING INFORMATION

SKU	VOLTAGE	UNIT NET WEIGHT, G	UNIT DIMENSIONS, MM	PCS/BOX
BPSPS-75-12V.3	12 V	430	292 x 37 x 22	24
BPSPS-75-24V.3	24 V	430	292 x 37 x 22	24

DIMENSIONS



SIGNBRIDGE PLUS SLIM

BPSP.S-75-12/24V.3

- # outdoor metal
- # slim



75 W LED driver

FEATURES

- Metal housing design with functional ground
- Built-in active PFC function
- Slender design
- IP67 rating for indoor and outdoor installations
- 5 years warranty

CONFORMITY & STANDARDS

EMC:

- EN55015
- EN 61000-3-2:2014
- EN 61000-3-3:2013

Security Standard:

- IEC 61347-2-13 2014+A1
- IEC 61347-1 2015+A1

Electrical Safety:

- Withstand Voltage:
I/P-O/P:3.75KVAC,I/P-FG:2KVAC,O/P-FG:1.5KVAC
- Isolation Resistance:
I/P-O/P:>100M Ohms/500VDC/25°C/70% RH

SIGNBRIDGE PLUS SLIM

BPSP.S-100-12/24V.3

- # outdoor metal
- # slim



100 W LED driver

FEATURES

- Metal housing design with functional ground
- Built-inactive PFC function
- Slender design
- IP67 rating for indoor and outdoor installations
- 5 years warranty

CONFORMITY & STANDARDS

EMC:

- EN55015
- EN 61000-3-2:2014
- EN 61000-3-3:2013

Security Standard:

- IEC 61347-2-13 2014+A1
- IEC 61347-1 2015+A1

Electrical Safety:

- Withstand Voltage:
I/P-O/P:3.75KVAC,I/P-FG:2KVAC,O/P-FG:1.5KVAC
- Isolation Resistance:
I/P-O/P:>100M Ohms/500VDC/25°C/70% RH



GENERAL SPECIFICATIONS

EFFICIENCY	90% (230 VAC)
TURN ON DELAY	<1000mS (230 VAC)
OPERATING CONDITIONS	-40°C ~ +70°C; 20 ~ 95% humidity
STORAGE CONDITIONS	-40 °C ~ +80 °C; 10 ~ 95% humidity
IP CLASS	IP 67
PROTECTIONS INCLUDED	Short circuit Overload
WARRANTY	5 years

INPUT

INPUT VOLTAGE RANGE	200 - 240 VAC, (50 - 60 Hz)
MAX INPUT AC CURRENT	0.75 A Max
MAX INRUSH CURRENT	50 A
POWER FACTOR	≥0.95 (230 VAC)

OUTPUT

VOLTAGE CURRENT	12 V 8.33 A 24 V 4.17 A
MAX OUTPUT POWER	100 W

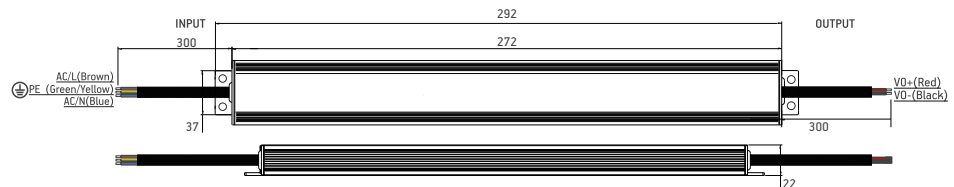
QUANTITY OF DRIVERS PER CIRCUIT BREAKER

CIRCUIT BREAKER OF TYPE B 16 A	8 units (at 230 VAC)
CIRCUIT BREAKER OF TYPE C 16 A	14 units (at 230 VAC)

ORDERING INFORMATION

SKU	VOLTAGE	UNIT NET WEIGHT, G	UNIT DIMENSIONS, MM	PCS/BOX
BPSP.S-100-12V.3	12 V	440	292 x 37 x 22	24
BPSP.S-100-24V.3	24 V	440	292 x 37 x 22	24

DIMENSIONS





GENERAL SPECIFICATIONS

EFFICIENCY	≥92% (230 VAC)
TURN ON DELAY	3000 ms (230 VAC)
OPERATING CONDITIONS	-40°C ~ +50°C; 20 ~ 95% humidity
STORAGE CONDITIONS	-40 °C ~ +80 °C; 10 ~ 95% humidity
IP CLASS	IP 68
PROTECTIONS INCLUDED	Over current Short circuit Over voltage Over temperature
WARRANTY	5 years, ≥50 000 h

INPUT

INPUT VOLTAGE RANGE	100 - 240 VAC, (47 - 63 Hz)
MAX INPUT AC CURRENT	1.3 A Max
MAX INRUSH CURRENT	≤70 A
POWER FACTOR	≥0.95 (230 VAC)

OUTPUT

VOLTAGE CURRENT	12 V 8.33 A
MAX OUTPUT POWER	100 W

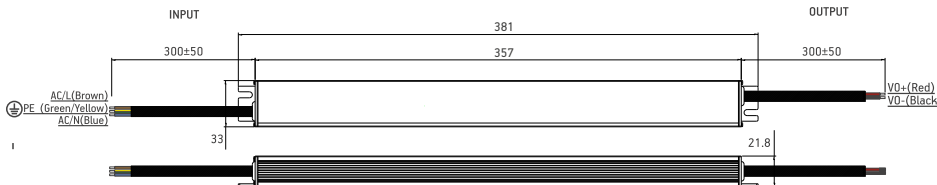
QUANTITY OF DRIVERS PER CIRCUIT BREAKER

CIRCUIT BREAKER OF TYPE B 16 A	20 units (at 230 VAC)
CIRCUIT BREAKER OF TYPE C 16 A	30 units (at 230 VAC)

ORDERING INFORMATION

SKU	VOLTAGE	UNIT NET WEIGHT, G	UNIT DIMENSIONS, MM	PCS/BOX
BPSPS-100-12V.1	12 V	530	357 x 33 x 21.8	20

DIMENSIONS



SIGNBRIDGE PLUS SLIM

BPSP.S-100-12V.1

outdoor metal
slim



100 W LED driver

FEATURES

- Metal housing design with functional ground
- Built-in active PFC function
- Slender design
- IP68 rating for indoor and outdoor installations
- 5 years warranty

CONFORMITY & STANDARDS

EMC Emission:

- compliance to EN55015

EMC Immunity:

- EN55015
- EN61547
- EN61000-3-2
- EN61000-3-3
- CB

CE-LVD:

- IEC/EN61347-1
- IEC/EN61347-2-13
- UL8750
- UL1310

SIGNBRIDGE PLUS SLIM

BPSP.S-150-24V.3

outdoor metal
slim



150 W LED driver

FEATURES

- Metal housing design with functional ground
- Built-in active PFC function
- Slender design
- IP67 rating for indoor and outdoor installations
- 5 years warranty

CONFORMITY & STANDARDS

EMC:

- EN55015
- EN 61000-3-2:2014
- EN 61000-3-3:2013

Security Standard:

- IEC 61347-2-13 2014+A1
- IEC 61347-1 2015+A1

Electrical Safety:

- Withstand Voltage:

I/P-O/P:3.75KVAC,I/P-FG:2KVAC,O/P-FG:1.5KVAC

- Isolation Resistance:

I/P-O/P:>100M Ohms/500VDC/25°C/70% RH



GENERAL SPECIFICATIONS

EFFICIENCY	92% (230 VAC)
TURN ON DELAY	<1000mS (230 VAC)
OPERATING CONDITIONS	-40°C ~ +70°C; 20 ~ 95% humidity
STORAGE CONDITIONS	-40 °C ~ +80 °C; 10 ~ 95% humidity
IP CLASS	IP 67
PROTECTIONS INCLUDED	Short circuit Overload
WARRANTY	5 years

INPUT

INPUT VOLTAGE RANGE	220 - 240 VAC, (50 - 60 Hz)
MAX INPUT AC CURRENT	1.1 A Max
MAX INRUSH CURRENT	65 A
POWER FACTOR	≥0.95 (230 VAC)

OUTPUT

VOLTAGE CURRENT	24 V 6.25 A
MAX OUTPUT POWER	150 W

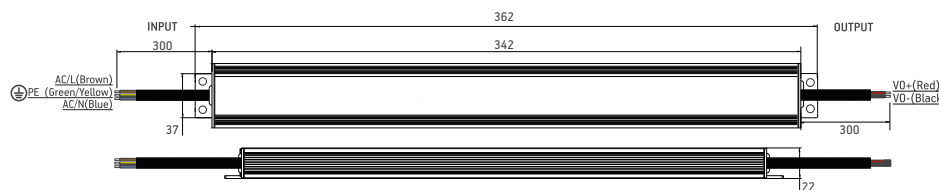
QUANTITY OF DRIVERS PER CIRCUIT BREAKER

CIRCUIT BREAKER OF TYPE B 16 A	5 units (at 230 VAC)
CIRCUIT BREAKER OF TYPE C 16 A	8 units (at 230 VAC)

ORDERING INFORMATION

SKU	VOLTAGE	UNIT NET WEIGHT, G	UNIT DIMENSIONS, MM	PCS/BOX
BPSP.S-150-24V.3	24 V	570	362 x 37 x 22	30

DIMENSIONS





GENERAL SPECIFICATIONS

EFFICIENCY	92% (230 VAC)
TURN ON DELAY	<1000mS (230 VAC)
OPERATING CONDITIONS	-40°C ~ +70°C; 20 ~ 95% humidity
STORAGE CONDITIONS	-40 °C ~ +80 °C; 10 ~ 95% humidity
IP CLASS	IP 67
PROTECTIONS INCLUDED	Short circuit Overload
WARRANTY	5 years

INPUT

INPUT VOLTAGE RANGE	220 - 240 VAC, (50 - 60 Hz)
MAX INPUT AC CURRENT	1.4 A Max
MAX INRUSH CURRENT	65 A
POWER FACTOR	≥0.95 (230 VAC)

OUTPUT

VOLTAGE CURRENT	24 V 8.33 A
MAX OUTPUT POWER	150 W

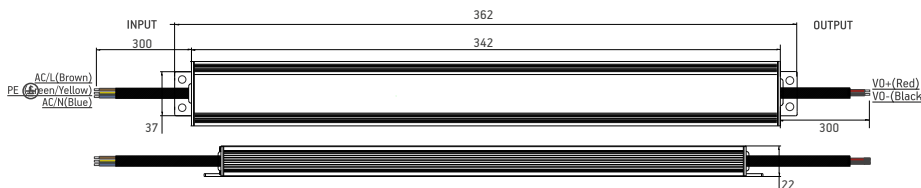
QUANTITY OF DRIVERS PER CIRCUIT BREAKER

CIRCUIT BREAKER OF TYPE B 16 A	4 units (at 230 VAC)
CIRCUIT BREAKER OF TYPE C 16 A	7 units (at 230 VAC)

ORDERING INFORMATION

SKU	VOLTAGE	UNIT NET WEIGHT, G	UNIT DIMENSIONS, MM	PCS/BOX
BPSPS-200-24V.3	24 V	580	362 x 37 x 22	30

DIMENSIONS



SIGNBRIDGE PLUS SLIM

BPSP.S-200-24V.3

- # outdoor metal
- # slim



200 W LED driver

FEATURES

- Metal housing design with functional ground
- Built-in active PFC function
- Slender design
- IP67 rating for indoor and outdoor installations
- 5 years warranty

CONFORMITY & STANDARDS

EMC:

- EN55015
- EN 61000-3-2:2014
- EN 61000-3-3:2013

Security Standard:

- IEC 61347-2-13 2014+A1
- IEC 61347-1 2015+A1

Electrical Safety:

- Withstand Voltage:
I/P-O/P:3.75KVAC,I/P-FG:2KVAC,O/P-FG:1.5KVAC
- Isolation Resistance:
I/P-O/P:>100M Ohms/500VDC/25°C/70% RH

SIGNBRIDGE
OUTDOOR PLASTIC POWER SUPPLIES





GENERAL SPECIFICATIONS

EFFICIENCY	12 V 79% (230 VAC)
START / RISE TIME	1500mS (230 VAC)
OPERATING CONDITIONS	-25°C ~ +50°C; 20 ~ 95% humidity
STORAGE CONDITIONS	-40 °C ~ +80 °C; 10 ~ 95% humidity
IP CLASS	IP 67
PROTECTIONS INCLUDED	Short circuit Overload
WARRANTY	3 years

INPUT

INPUT VOLTAGE RANGE	100 - 250 VAC, (50 - 60 Hz)
MAX INPUT AC CURRENT	0.24 A Max
MAX INRUSH CURRENT	20 A
POWER FACTOR	≥0.6 (230 VAC)

OUTPUT

OUTPUT CURRENT	12 V 0.75 A
MAX OUTPUT POWER	9 W

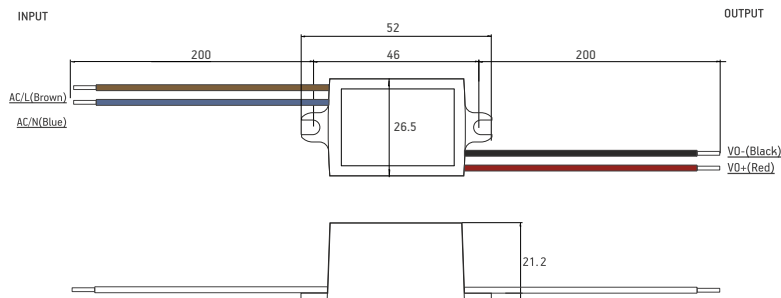
QUANTITY OF DRIVERS PER CIRCUIT BREAKER

CIRCUIT BREAKER OF TYPE B 16 A	36 units (at 230 VAC)
CIRCUIT BREAKER OF TYPE C 16 A	70 units (at 230 VAC)

ORDERING INFORMATION

SKU	VOLTAGE	UNIT NET WEIGHT, G	UNIT DIMENSIONS, MM	PCS/BOX
BPS-9-12V.2	12 V	40	52 x 26.5 x 21	200

DIMENSIONS



SIGNBRIDGE

BPS-9-24V.2

outdoor plastic



9 W LED driver

FEATURES

- Plastic housing design
- IP67 rating for indoor and outdoor installations
- 3 years warranty

CONFORMITY & STANDARDS

Security Standard:

- IEC 61347-2-13 2014+A1

Electrical Safety:

- Withstand Voltage:

I/P-O/P: 3000VAC/1min/<5mA

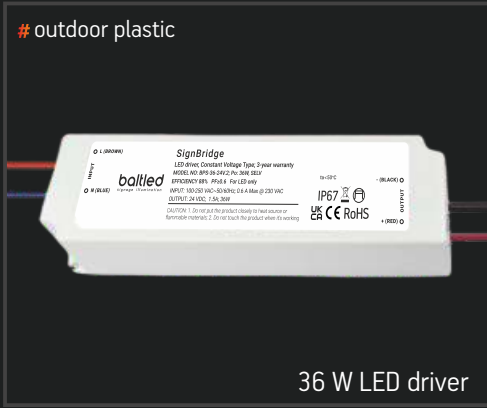
- Isolation Resistance:

I/P-O/P: >100M Ohms / 500VDC / 25°C / 70%RH

SIGNBRIDGE

BPS-36-12V.2

outdoor plastic



36 W LED driver

FEATURES

- Plastic housing design
- IP67 rating for indoor and outdoor installations
- 3 years warranty

CONFORMITY & STANDARDS

Security Standard:

- IEC 61347-2-13 2014+A1

Electrical Safety:

- Withstand Voltage:

I/P-O/P: 3000VAC/1min/<5mA

- Isolation Resistance:

I/P-O/P: >100M Ohms / 500VDC / 25°C / 70%RH



GENERAL SPECIFICATIONS

EFFICIENCY	12 V 85% (230 VAC)
START / RISE TIME	1500mS (230 VAC)
OPERATING CONDITIONS	-25°C ~ +50°C; 20 ~ 95% humidity
STORAGE CONDITIONS	-40 °C ~ +80 °C; 10 ~ 95% humidity
IP CLASS	IP 67
PROTECTIONS INCLUDED	Short circuit Overload
WARRANTY	3 years

INPUT

INPUT VOLTAGE RANGE	100 - 250 VAC, (50 - 60 Hz)
MAX INPUT AC CURRENT	0.6 A Max
MAX INRUSH CURRENT	40 A
POWER FACTOR	≥0.6 (230 VAC)

OUTPUT

OUTPUT CURRENT	12 V 3 A
MAX OUTPUT POWER	36 W

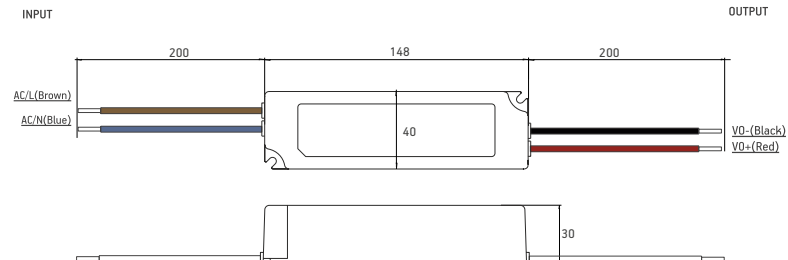
QUANTITY OF DRIVERS PER CIRCUIT BREAKER

CIRCUIT BREAKER OF TYPE B 16 A	9 units (at 230 VAC)
CIRCUIT BREAKER OF TYPE C 16 A	17 units (at 230 VAC)

ORDERING INFORMATION

SKU	VOLTAGE	UNIT NET WEIGHT, G	UNIT DIMENSIONS, MM	PCS/BOX
BPS-36-12V.2	12 V	280	148 x 40 x 30	50

DIMENSIONS





GENERAL SPECIFICATIONS

EFFICIENCY	12 V 82% (230 VAC)
START / RISE TIME	1500mS (230 VAC)
OPERATING CONDITIONS	-25°C ~ +50°C; 20 ~ 95% humidity
STORAGE CONDITIONS	-40 °C ~ +80 °C; 10 ~ 95% humidity
IP CLASS	IP 67
PROTECTIONS INCLUDED	Short circuit Overload
WARRANTY	3 years

INPUT

INPUT VOLTAGE RANGE	100 - 250 VAC, (50 - 60 Hz)
MAX INPUT AC CURRENT	1.2 A Max
MAX INRUSH CURRENT	40 A
POWER FACTOR	≥0.6 (230 VAC)

OUTPUT

OUTPUT CURRENT	12 V 5 A
MAX OUTPUT POWER	60 W

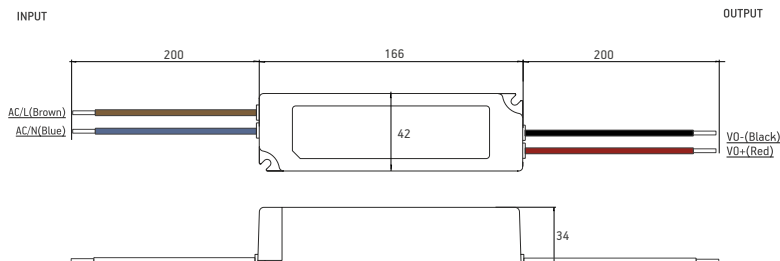
QUANTITY OF DRIVERS PER CIRCUIT BREAKER

CIRCUIT BREAKER OF TYPE B 16 A	9 units (at 230 VAC)
CIRCUIT BREAKER OF TYPE C 16 A	16 units (at 230 VAC)

ORDERING INFORMATION

SKU	VOLTAGE	UNIT NET WEIGHT, G	UNIT DIMENSIONS, MM	PCS/BOX
BPS-60-12V.2	12 V	360	166 x 42 x 34	40

DIMENSIONS



SIGNBRIDGE

BPS-60-12V.2

outdoor plastic



60 W LED driver

FEATURES

- Plastic housing design
- IP67 rating for indoor and outdoor installations
- 3 years warranty

CONFORMITY & STANDARDS

Security Standard:

- IEC 61347-2-13 2014+A1

Electrical Safety:

- Withstand Voltage:

I/P-O/P: 3000VAC/1min/<5mA

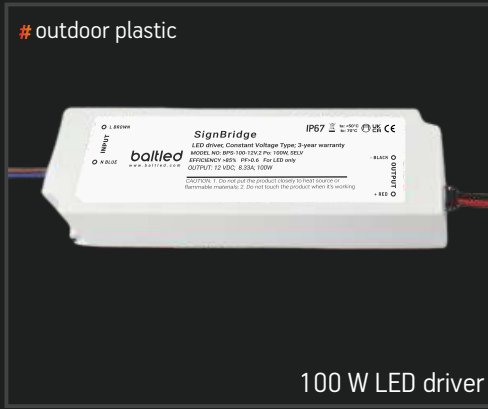
- Isolation Resistance:

I/P-O/P: >100M Ohms / 500VDC / 25°C / 70%RH

SIGNBRIDGE

BPS-100-12/24V.2

outdoor plastic



100 W LED driver

FEATURES

- Plastic housing design
- IP67 rating for indoor and outdoor installations
- 3 years warranty

CONFORMITY & STANDARDS

Security Standard:

- IEC 61347-2-13 2014+A1

Electrical Safety:

- Withstand Voltage:

I/P-O/P: 3000VAC/1min/<5mA

- Isolation Resistance:

I/P-O/P: >100M Ohms / 500VDC / 25°C / 70%RH



GENERAL SPECIFICATIONS

EFFICIENCY	12 V 85% (230 VAC) 24 V 88% (230 VAC)
START / RISE TIME	1500mS (230 VAC)
OPERATING CONDITIONS	-25°C ~ +50°C; 20 ~ 95% humidity
STORAGE CONDITIONS	-40 °C ~ +80 °C; 10 ~ 95% humidity
IP CLASS	IP 67
PROTECTIONS INCLUDED	Short circuit Overload
WARRANTY	3 years

INPUT

INPUT VOLTAGE RANGE	100 - 250 VAC, (50 - 60 Hz)
MAX INPUT AC CURRENT	1.8 A Max
MAX INRUSH CURRENT	40 A
POWER FACTOR	≥0.6 (230 VAC)

OUTPUT

OUTPUT CURRENT	12 V 8.33 A 24 V 4.17 A
MAX OUTPUT POWER	100 W

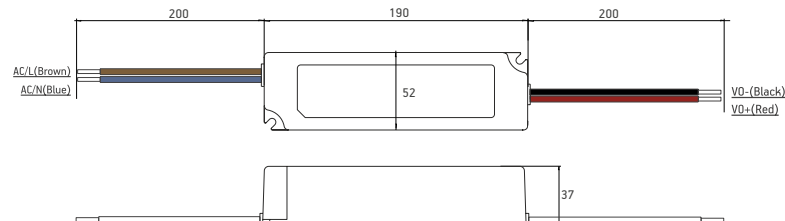
QUANTITY OF DRIVERS PER CIRCUIT BREAKER

CIRCUIT BREAKER OF TYPE B 16 A	9 units (at 230 VAC)
CIRCUIT BREAKER OF TYPE C 16 A	10 units (at 230 VAC)

ORDERING INFORMATION

SKU	VOLTAGE	UNIT NET WEIGHT, G	UNIT DIMENSIONS, MM	PCS/BOX
BPS-100-12V.2	12 V	640	190 x 52 x 37	20
BPS-100-24V.2	24 V	640	190 x 52 x 37	20

DIMENSIONS





GENERAL SPECIFICATIONS

EFFICIENCY	88% (230 VAC)
START / RISE TIME	1500ms (230 VAC)
OPERATING CONDITIONS	-30°C ~ +50°C; 20 ~ 95% humidity
STORAGE CONDITIONS	-40 °C ~ +80 °C; 10 ~ 95% humidity
IP CLASS	IP 67
PROTECTIONS INCLUDED	Short circuit Overload
WARRANTY	3 years

INPUT

INPUT VOLTAGE RANGE	190 - 250 VAC, (50 - 60 Hz)
MAX INPUT AC CURRENT	1.45 A Max
MAX INRUSH CURRENT	70 A
POWER FACTOR	≥0.6 (230 VAC)

OUTPUT

OUTPUT CURRENT	12 V 12.5 A 24 V 6.25 A
MAX OUTPUT POWER	150 W

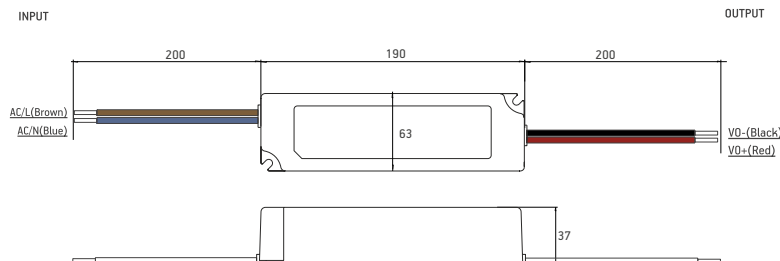
QUANTITY OF DRIVERS PER CIRCUIT BREAKER

CIRCUIT BREAKER OF TYPE B 16 A	3 units (at 230 VAC)
CIRCUIT BREAKER OF TYPE C 16 A	5 units (at 230 VAC)

ORDERING INFORMATION

SKU	VOLTAGE	UNIT NET WEIGHT, G	UNIT DIMENSIONS, MM	PCS/BOX
BPS-150-12V.2	12 V	720	190 x 63 x 37	20
BPS-150-24V.2	24 V	720	190 x 63 x 37	20

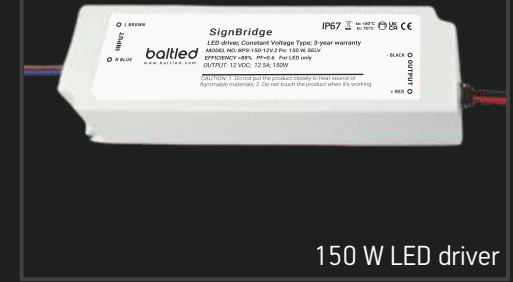
DIMENSIONS



SIGNBRIDGE

BPS-150-12/24V.2

outdoor plastic



150 W LED driver

FEATURES

- Plastic housing design
- IP67 rating for indoor and outdoor installations
- 3 years warranty

CONFORMITY & STANDARDS

Security Standard:

- IEC 61347-2-13 2014+A1

Electrical Safety:

- Withstand Voltage:

I/P-O/P: 3000VAC/1min/<5mA

- Isolation Resistance:

I/P-O/P: >100M Ohms / 500VDC / 25°C / 70%RH



E-mail: signage@baltled.com

Phone: +370 532 390 00

Website: www.baltled.com

Address:

Nalsios str. 11

LT-14332 , Vilnius

Lithuania