

5 YEARS WARRANTY

IP 68

CE

RoHS Compliant

UK PA

I

SIGNBRIDGE 150 W LED DRIVER

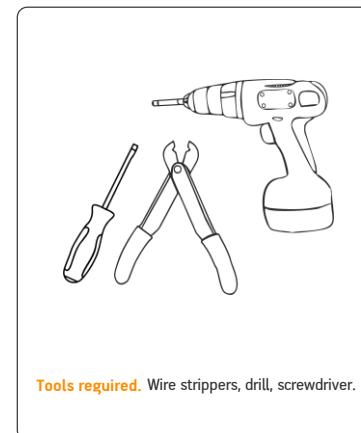
INSTALLATION GUIDE FOR MODEL: **BPSP-150-12/24V.1**

READ THE INSTRUCTIONS CAREFULLY BEFORE MOUNTING

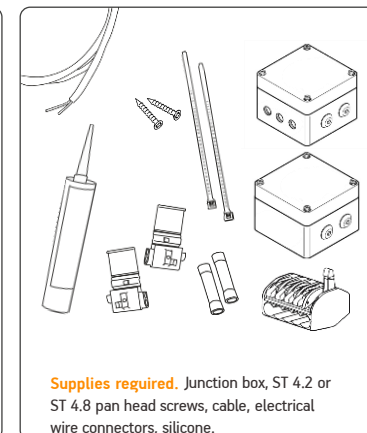
- Power supply operating temperature is from -40 to +45 °C. To ensure adequate ventilation, mounting power supplies without a secondary enclosure is recommended.
- Space power supplies by standard knockout locations 19 mm minimum. If two or more power supplies are used, spacing must be at least 25 mm end-to-end, and 102 mm on each side. Power supply spacing to thermoplastic, wood, fibre, or other combustible enclosure materials must be 25 mm.
- Ensure power supplies are not overloaded by verifying :

FOR	OUTPUT CURRENT IS	FOR BEST PERFORMANCE RECOMMENDING
12V	< 12.5 A	< 10 A
24 V	< 6.25 A	< 5 A

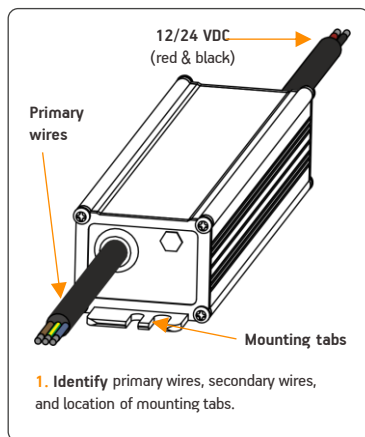
- Use of photocells or timing device is recommended to ensure power supplies are off during day light hours, when sign illumination is not needed. Higher daytime temperatures and unnecessary operation may shorten power supply lifetime.



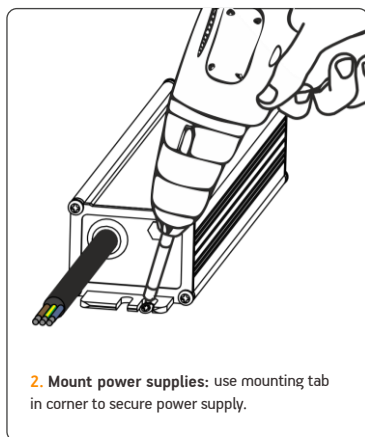
Tools required. Wire strippers, drill, screwdriver.



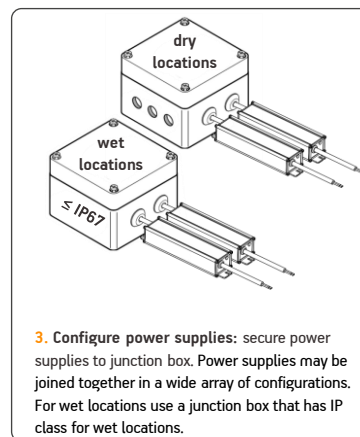
Supplies required. Junction box, ST 4.2 or ST 4.8 pan head screws, cable, electrical wire connectors, silicone.



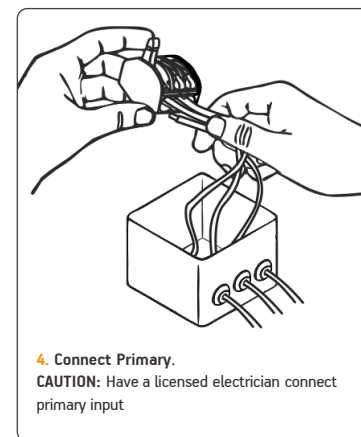
1. Identify primary wires, secondary wires, and location of mounting tabs.



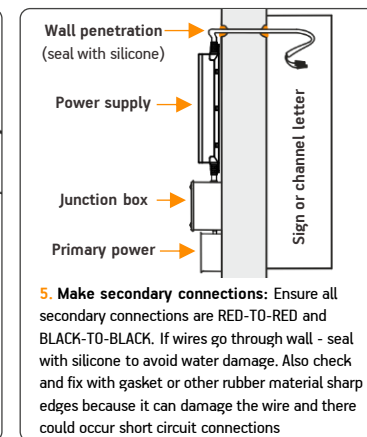
2. Mount power supplies: use mounting tab in corner to secure power supply.



3. Configure power supplies: secure power supplies to junction box. Power supplies may be joined together in a wide array of configurations. For wet locations use a junction box that has IP class for wet locations.



4. Connect Primary.
CAUTION: Have a licensed electrician connect primary input



5. Make secondary connections: Ensure all secondary connections are RED-TO-RED and BLACK-TO-BLACK. If wires go through wall - seal with silicone to avoid water damage. Also check and fix with gasket or other rubber material sharp edges because it can damage the wire and there could occur short circuit connections