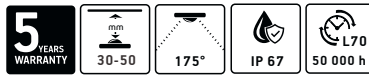


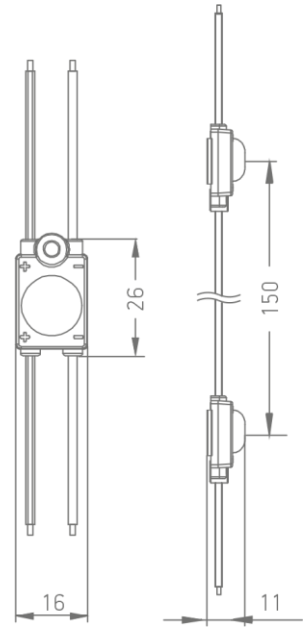
PRISMA S1+



GENERAL SPECIFICATIONS

SUPPLY VOLTAGE	12 VDC
POWER	0.36 W
CRI	70
RECOMMENDED DEPTH	from 30 to 50 mm
CC DISTANCE	150 mm
BINNING	4 SDCM
OPERATING TEMPERATURE	-25 °C ~ +60 °C
STORAGE TEMPERATURE	-40 °C ~ +85 °C
STORAGE CONDITIONS	Relative humidity <60%
IP CLASS	IP67
CERTIFICATION	CE, RoHS and UKCA compliant
LIFETIME	L70 50,000 h
WARRANTY	5 years*

*Warranty is applied only and if storage, mounting and maintenance conditions, stated in the installation guide, are followed.



Dimensions are in mm

ITEM DESCRIPTION

Designed for compact lightboxes and slim channel letters, PRISMA S1+ performs best in depths of 30–50 mm. With a wide 175° beam angle, it delivers soft, evenly distributed light - ideal for narrow spaces where precision and uniformity are key.

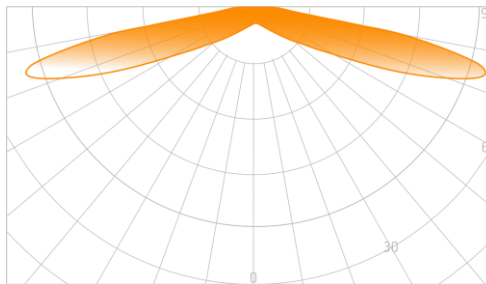
APPLICATION

- Channel letters signs and single-sided light boxes
- Recommended depth 30 – 50 mm

FEATURES & BENEFITS

- Compact size, ideal for slim profiles and tight layouts
- High efficacy: 153–161 lm/W
- 5 years warranty

LIGHT DISTRIBUTION GRAPH



Beam angle: 175°

ORDERING INFORMATION

SKU	POWER, W	LUMEN OUTPUT	COLOUR TEMP.
BMP-PS1-765E0.36	0.36	58	6500K
BMP-PS1-730E0.36	0.36	55	3000K
BMP-PS1-740E0.36	0.36	55	4000K
BMP-PS1-750E0.36	0.36	58	5000K

NOTE: Modules are sold in full bags only, with a minimum order of one bag.

ORDERING QUANTITY

CHAIN	BAG	BOX
45 pcs.	90 pcs.	1170 pcs.