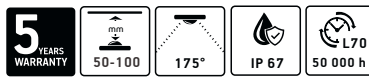


PRISMA S2+



ITEM DESCRIPTION

PRISMA S2+ is your go-to solution for channel letters and lightboxes with 50–100 mm depth. Delivering up to 116 lm at 1.08 W, this module balances brightness and energy efficiency with effortless consistency, thanks to its broad beam angle and smart optical design.

APPLICATION

- Channel letters signs and single-sided light boxes
- Recommended depth 50 – 100 mm

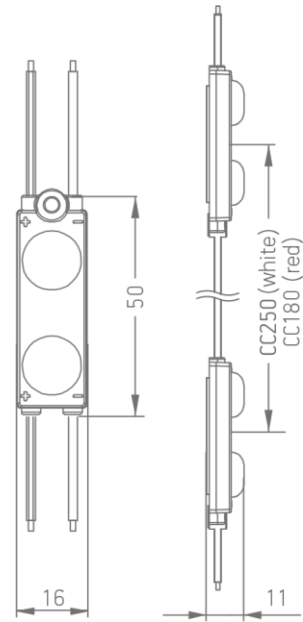
FEATURES & BENEFITS

- Strong brightness with balanced energy use
- High efficacy: 153–161 lm/W
- 5 years warranty

GENERAL SPECIFICATIONS

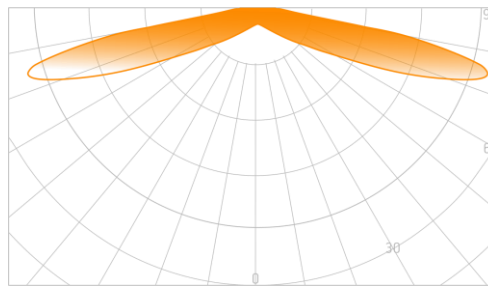
SUPPLY VOLTAGE	12 VDC
POWER	0.72 W
CRI	70
RECOMMENDED DEPTH	from 50 to 100 mm
CC DISTANCE	250 mm (white) 180 mm (red)
BINNING	4 SDCM
OPERATING TEMPERATURE	-25 °C ~ +60 °C
STORAGE TEMPERATURE	-40 °C ~ +85 °C
STORAGE CONDITIONS	Relative humidity <60%
IP CLASS	IP67
CERTIFICATION	CE, RoHS and UKCA compliant
LIFETIME	L70 50,000 h
WARRANTY	5 years*

*Warranty is applied only and if storage, mounting and maintenance conditions, stated in the installation guide, are followed.



Dimensions are in mm

LIGHT DISTRIBUTION GRAPH



Beam angle: 175°

ORDERING INFORMATION

SKU	POWER, W	LUMEN OUTPUT	COLOUR TEMP.
BMP-PS2-765E0.72	0.72	116	6500K
BMP-PS2-730E0.72	0.72	110	3000K
BMP-PS2-740E0.72	0.72	110	4000K
BMP-PS2-750E0.72	0.72	116	5000K
BMP-PS2-RE0.72	0.72	32	red (625-360 nm)

NOTE: Modules are sold in full bags only, with a minimum order of one bag.

ORDERING QUANTITY

CHAIN	BAG	BOX
25 pcs.	100 pcs.	800 pcs.