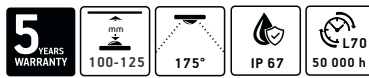


# PRISMA S3+



## ITEM DESCRIPTION

When depth reaches 100–125 mm, PRISMA S3+ shines bright. With an impressive 174 lm at 1.08 W, it's built for larger structures needing more punch without compromising light quality. The beam spread remains broad and uniform, allowing wider spacing and reduced installation density.

## APPLICATION

- Channel letters signs and single-sided light boxes
- Recommended depth 100 - 125 mm

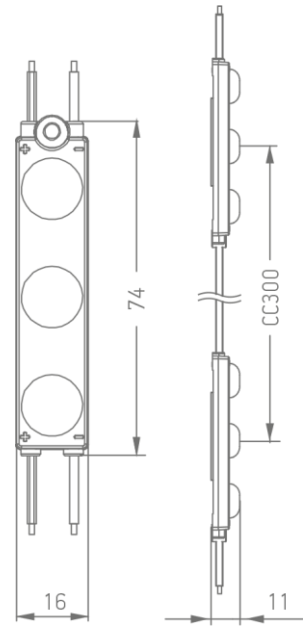
## FEATURES & BENEFITS

- Higher brightness for larger structures
- High efficacy: 153–161 lm/W
- 5 years warranty

## GENERAL SPECIFICATIONS

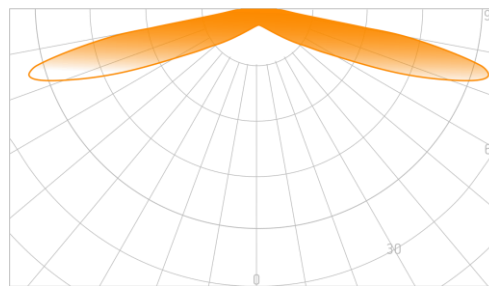
|                       |                             |
|-----------------------|-----------------------------|
| SUPPLY VOLTAGE        | 12 VDC                      |
| POWER                 | 1.08 W                      |
| CRI                   | 70                          |
| RECOMMENDED DEPTH     | from 100 to 125 mm          |
| CC DISTANCE           | 300 mm                      |
| BINNING               | 4 SDCM                      |
| OPERATING TEMPERATURE | -25 °C ~ +60 °C             |
| STORAGE TEMPERATURE   | -40 °C ~ +85 °C             |
| STORAGE CONDITIONS    | Relative humidity <60%      |
| IP CLASS              | IP67                        |
| CERTIFICATION         | CE, RoHS and UKCA compliant |
| LIFETIME              | L70 50,000 h                |
| WARRANTY              | 5 years*                    |

\*Warranty is applied only and if storage, mounting and maintenance conditions, stated in the installation guide, are followed.



Dimensions are in mm

## LIGHT DISTRIBUTION GRAPH



Beam angle: 175°

## ORDERING INFORMATION

| SKU              | POWER, W | LUMEN OUTPUT | COLOUR TEMP. |
|------------------|----------|--------------|--------------|
| BMP-PS3-765E1.08 | 1.08     | 174          | 6500K        |
| BMP-PS3-730E1.08 | 1.08     | 165          | 3000K        |
| BMP-PS3-740E1.08 | 1.08     | 165          | 4000K        |
| BMP-PS3-750E1.08 | 1.08     | 174          | 5000K        |

**NOTE:** Modules are sold in full bags only, with a minimum order of one bag.

## ORDERING QUANTITY

| CHAIN   | BAG      | BOX      |
|---------|----------|----------|
| 20 pcs. | 100 pcs. | 600 pcs. |